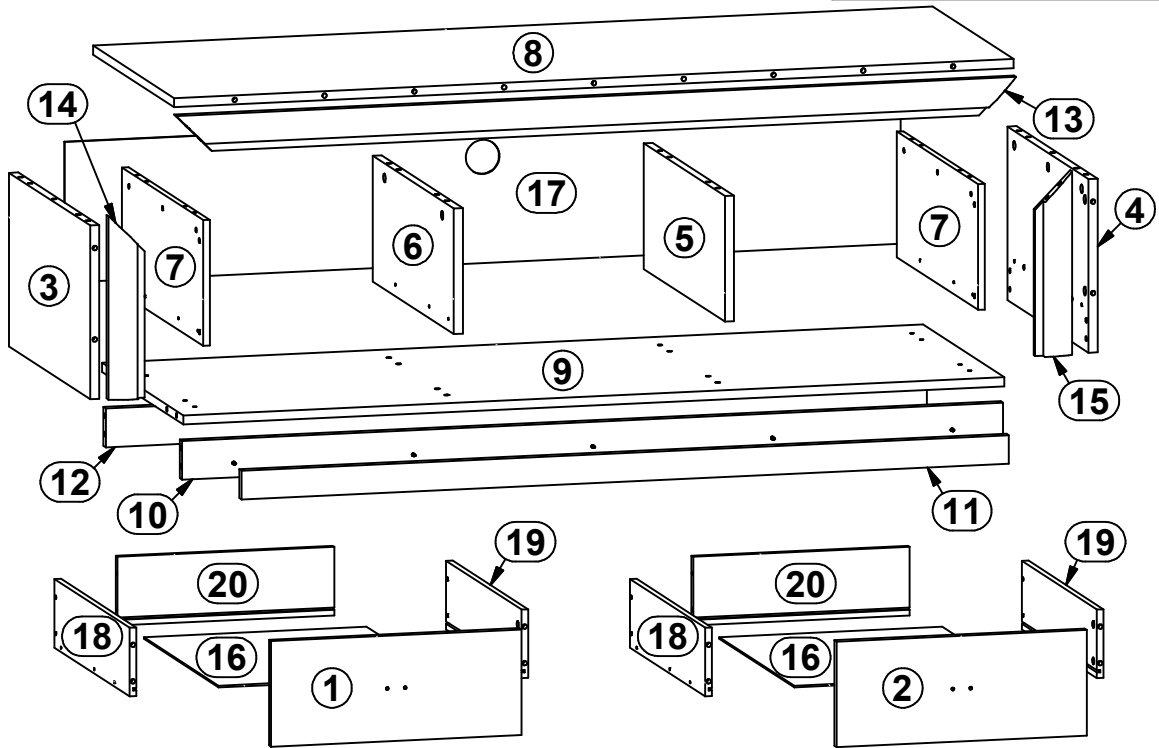
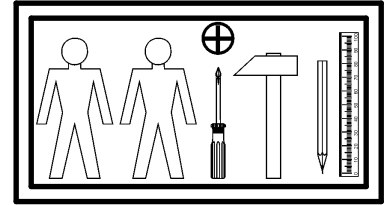
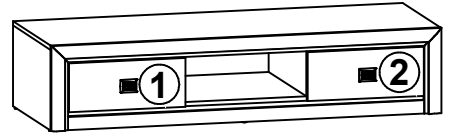
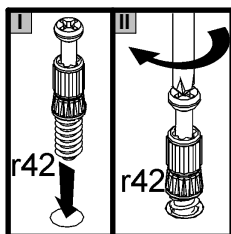
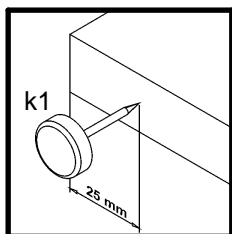
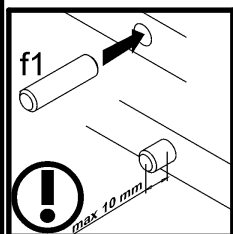
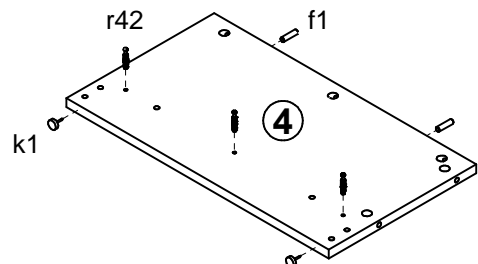
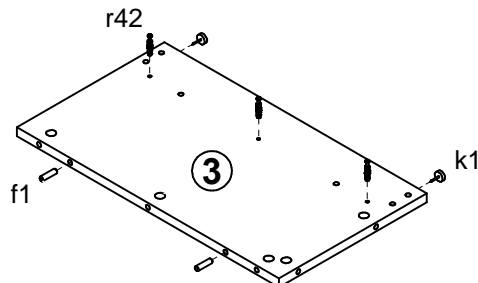
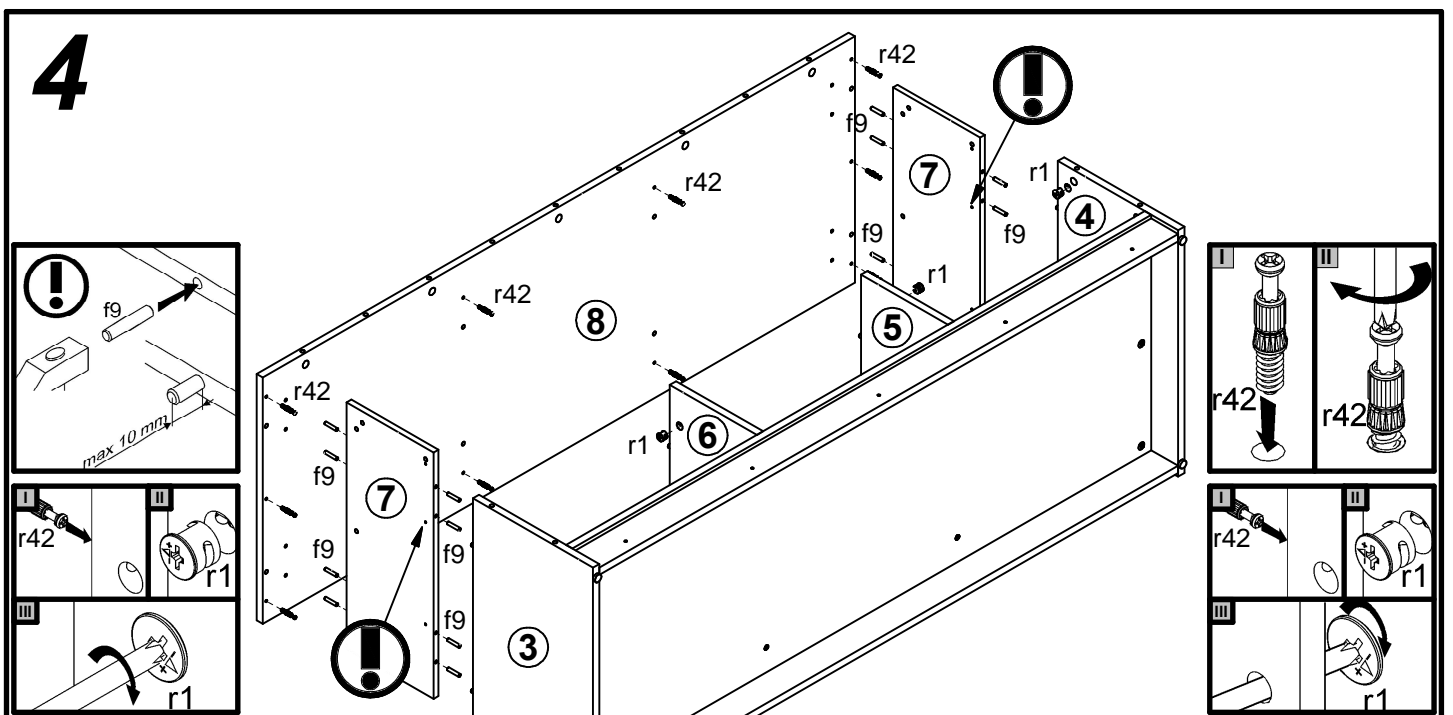
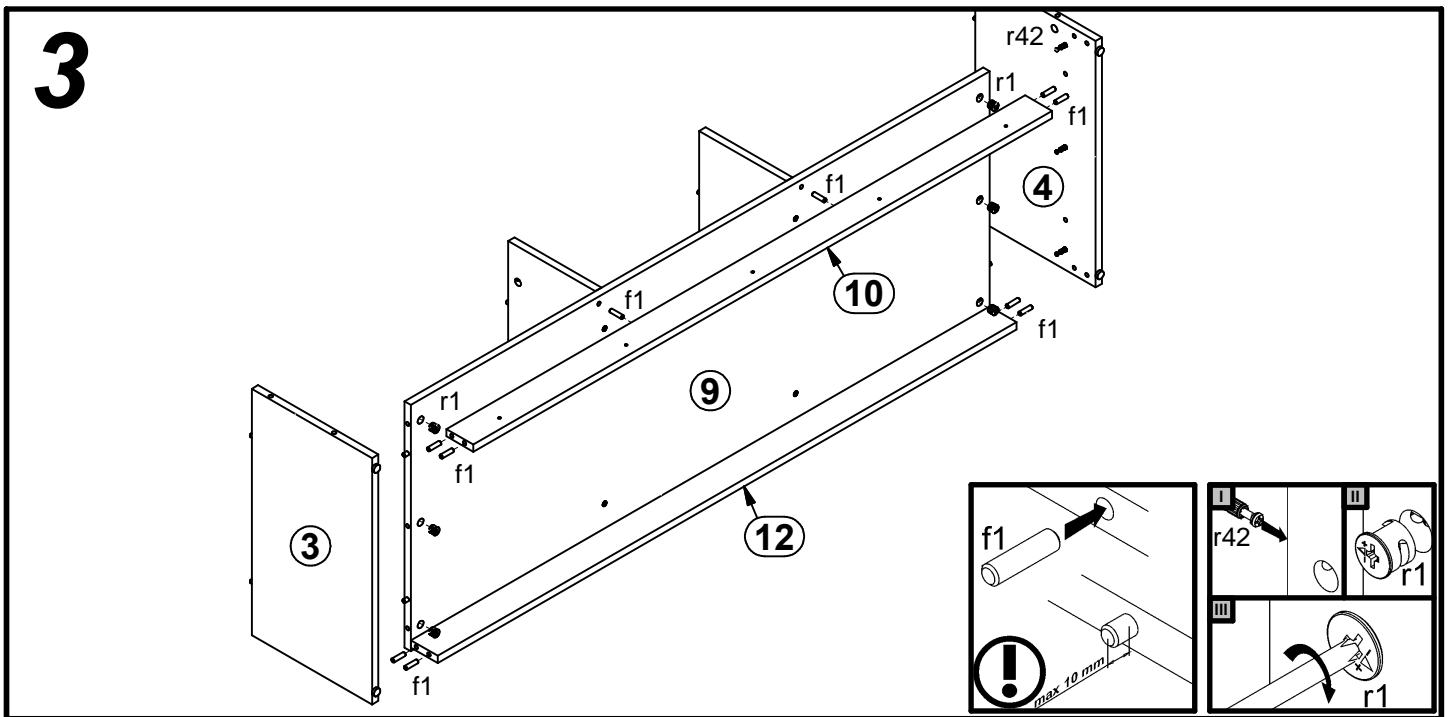
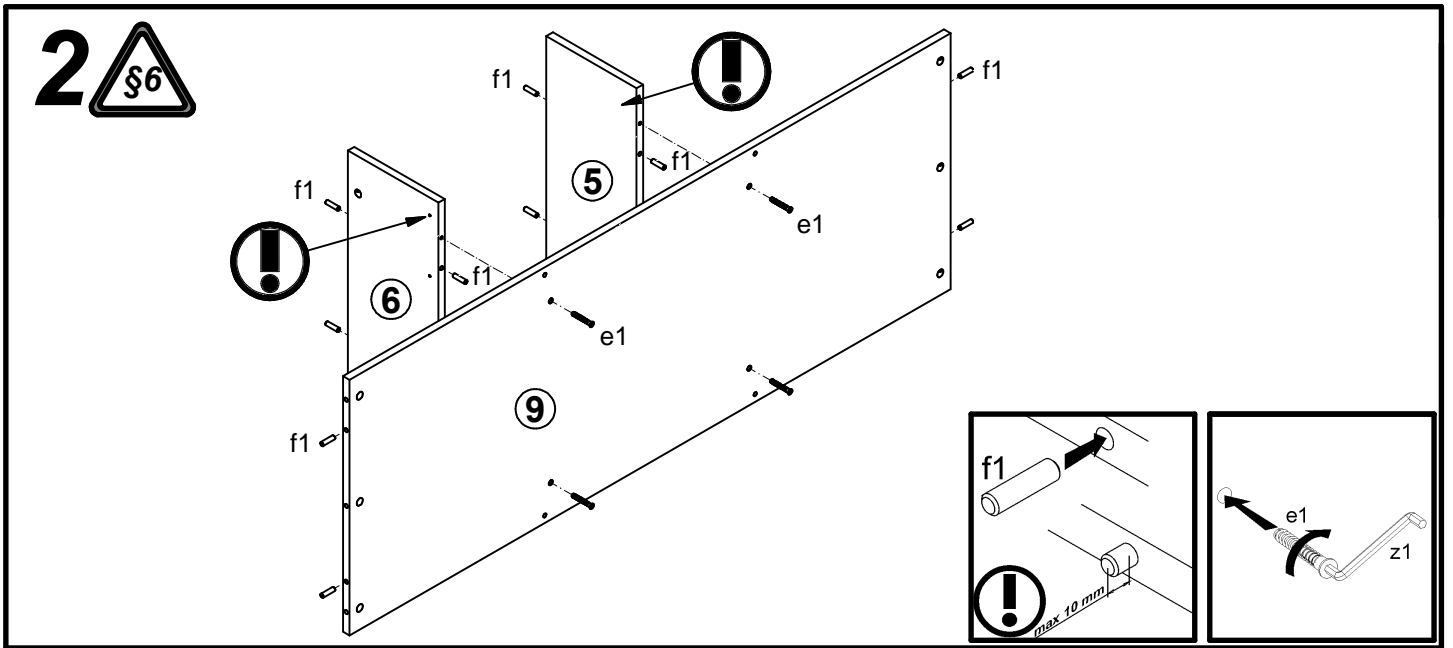


A	B	C	D	A	B	C	D		
1	S136-008	446	185	3/3	11	S136-409	1367	50	1/3
2	S136-009	446	185	3/3	12	S136-427	1463	68	1/3
3	S136-117	304	540	1/3	13	S136-579	1497	65	2/3
4	S136-118	304	540	1/3	14	S136-580	321	65	2/3
5	S136-119	220	540	1/3	15	S136-581	321	65	2/3
6	S136-120	220	540	1/3	16	S136-909	397	498	1/3
7	S136-121	220	540	1/3	17	S136-912	1490	246	1/3
8	S136-205	1496	540	1/3	18	ZS2-509	500	120	1/3
9	S136-305	1463	540	1/3	19	ZS2-510	500	120	1/3
10	S136-407	1463	68	1/3	20	ZS2-5561	386	120	1/3

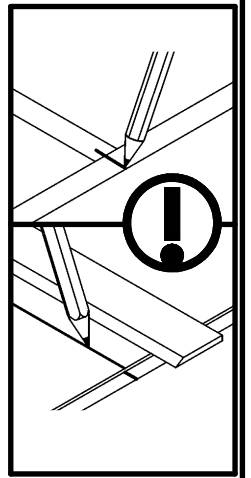
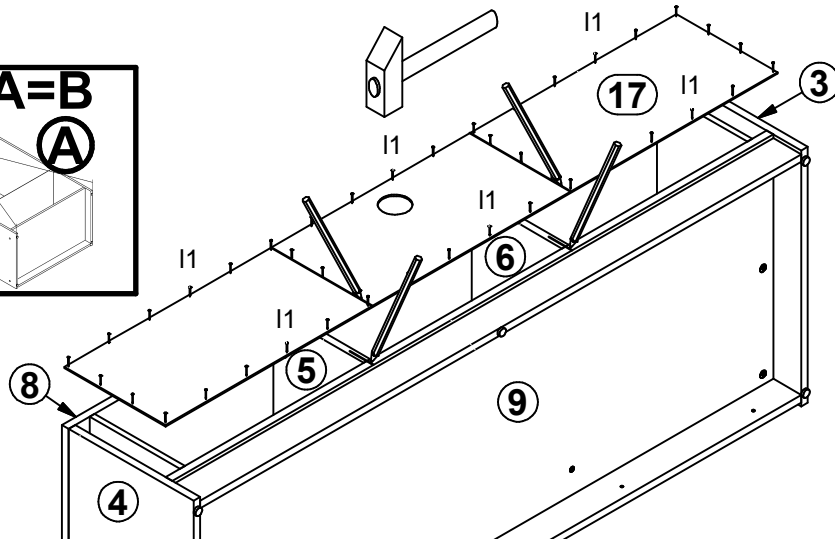
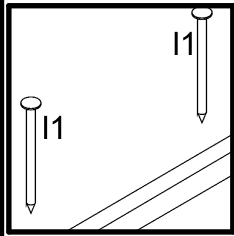
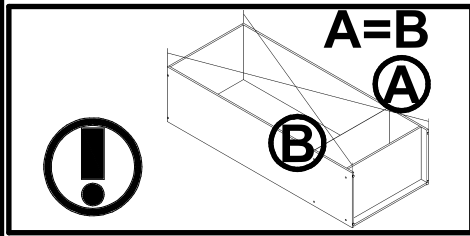


2x c317	4x φ7x50 mm e1	12x φ5x9 mm e19	12x φ6x13 mm e3	32x φ8x30 mm f1	8x φ6.5x40 mm f25	16x φ6x30 mm f9	4x M4x22 mm j30	6x k1
45x l1	5x φ4x28 mm p94	29x φ15x12mm #16 r1	2x r10	8x φ12x10.5mm #12 r15	33x r42	2x 500 mm w26\CL	2x 500 mm w26\CR	2x 500 mm w26\DL
2x 500 mm w26\DR	1x z1							

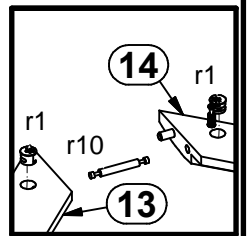
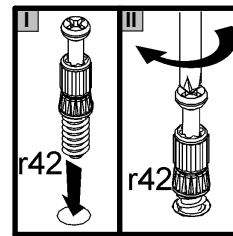
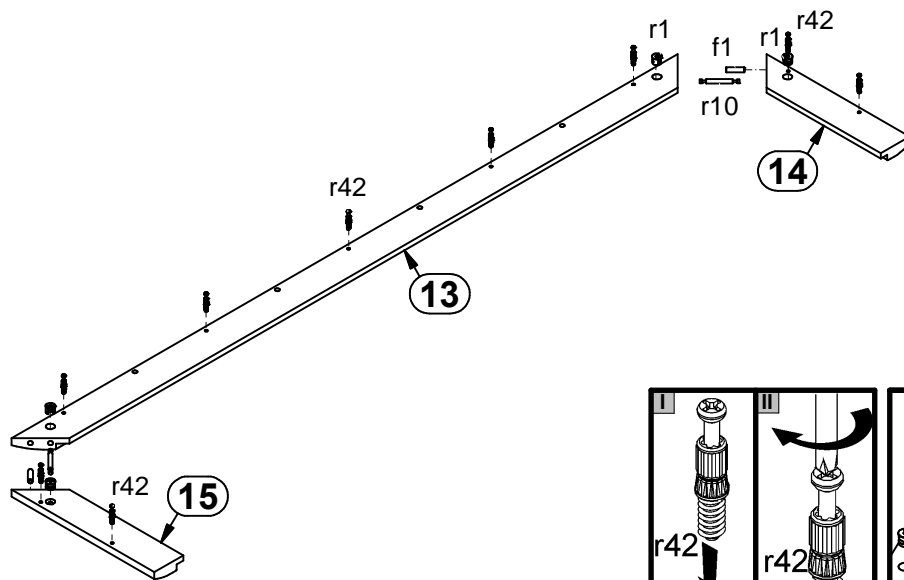
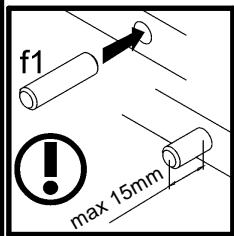




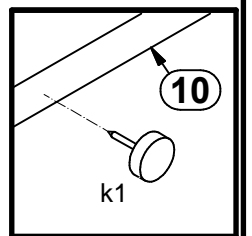
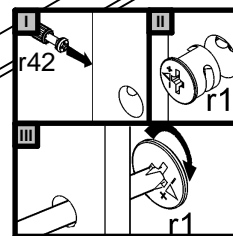
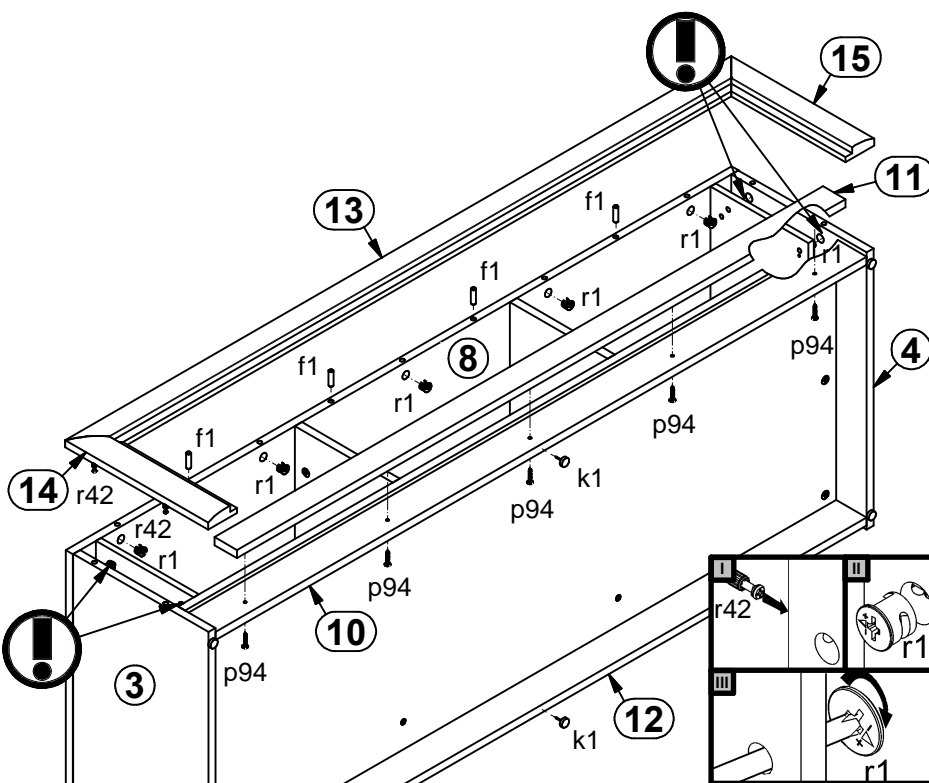
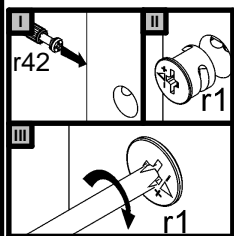
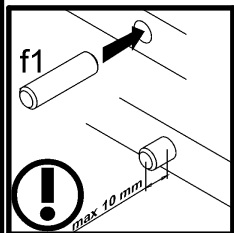
5



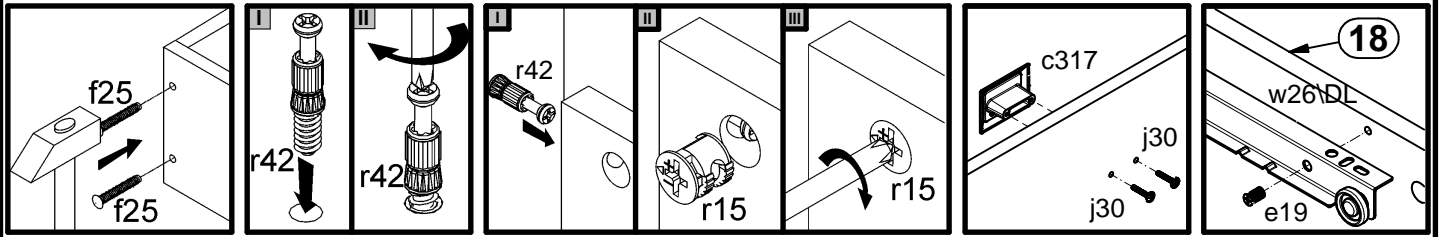
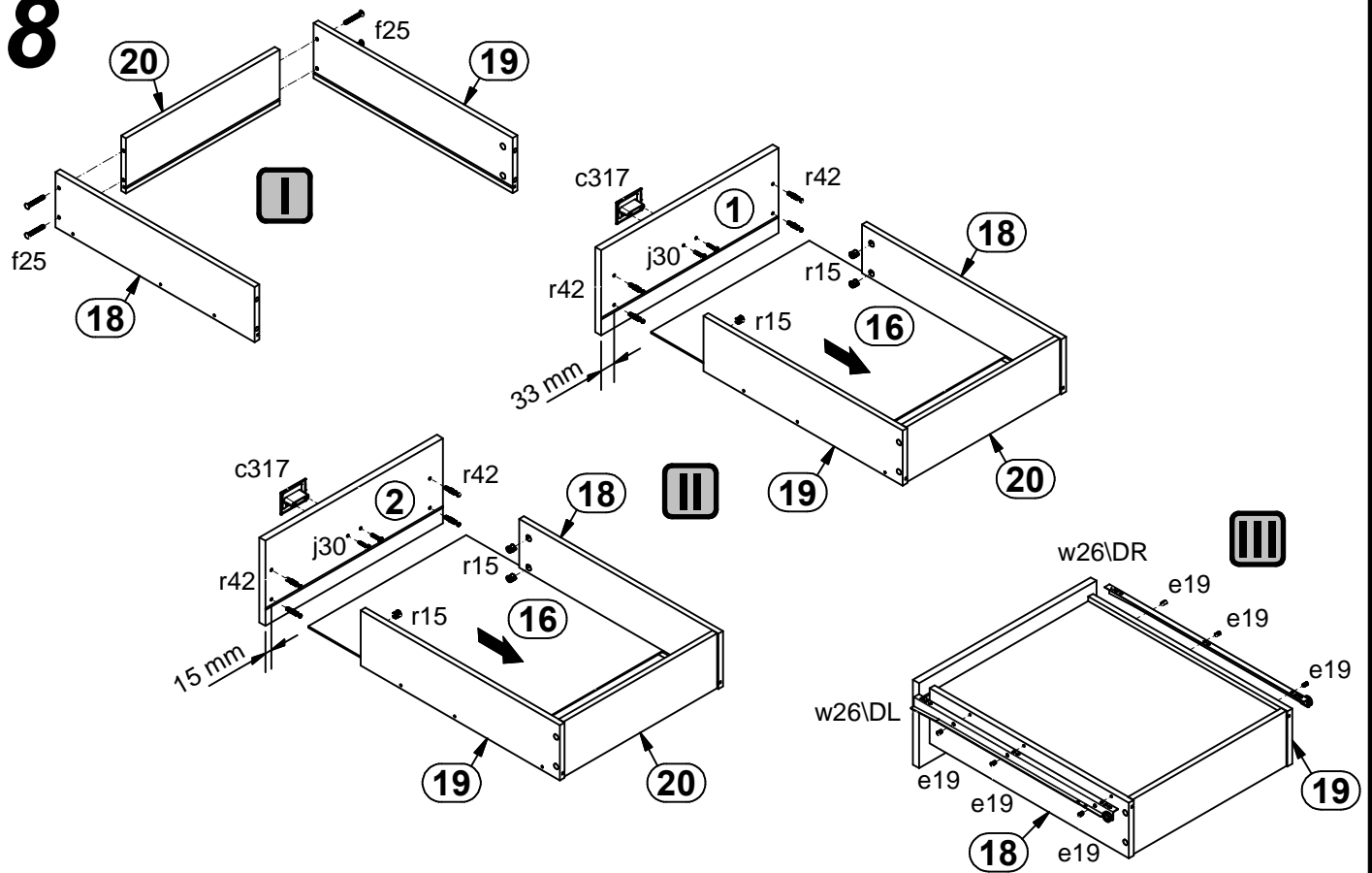
6



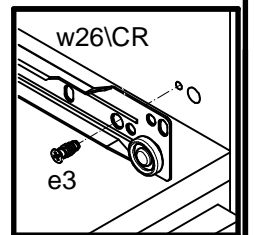
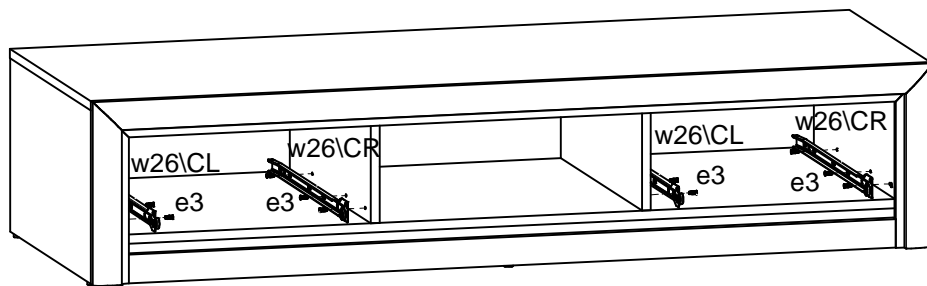
7



8



9



10

