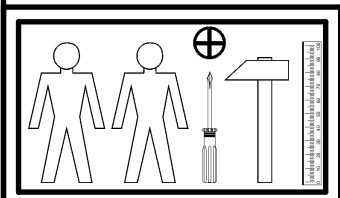
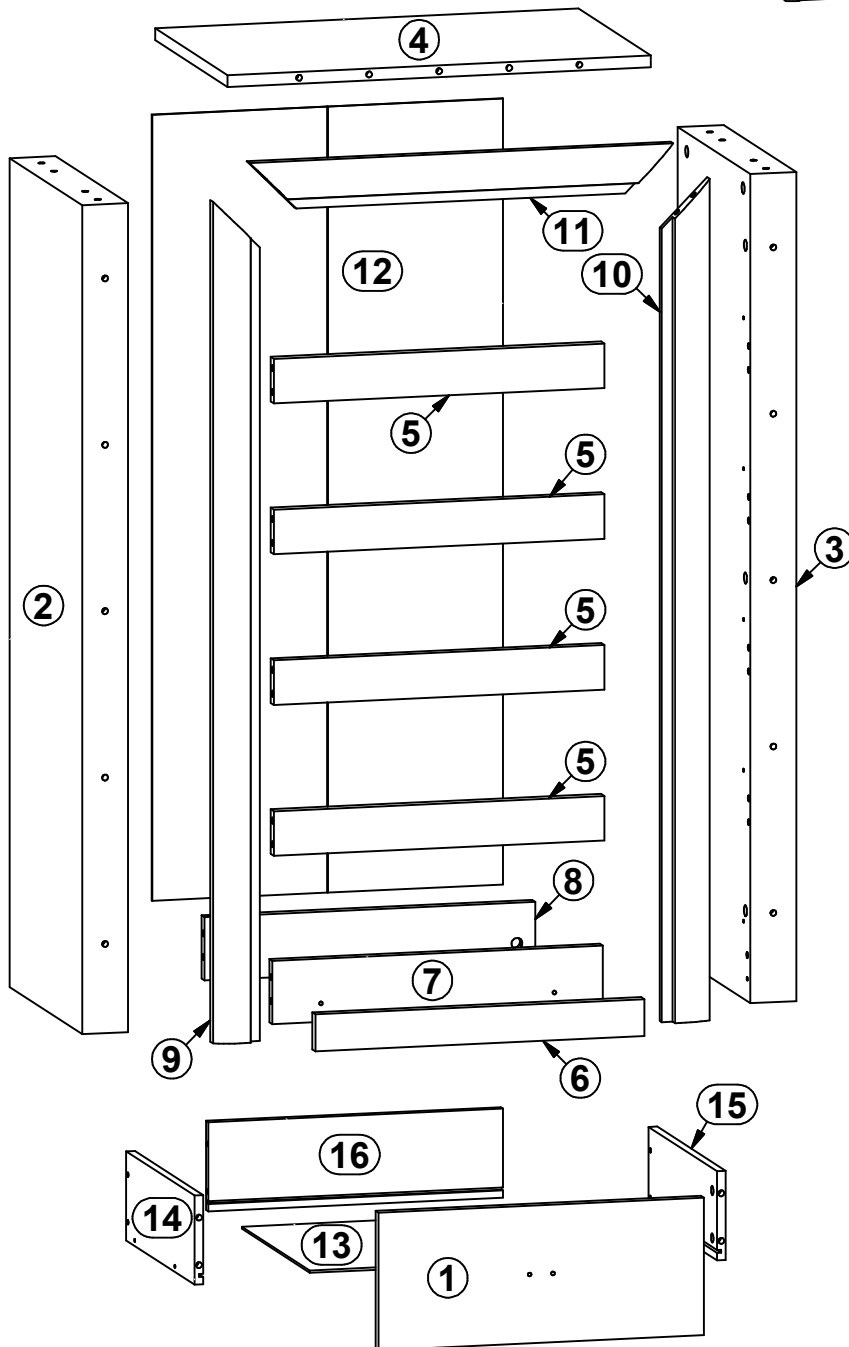
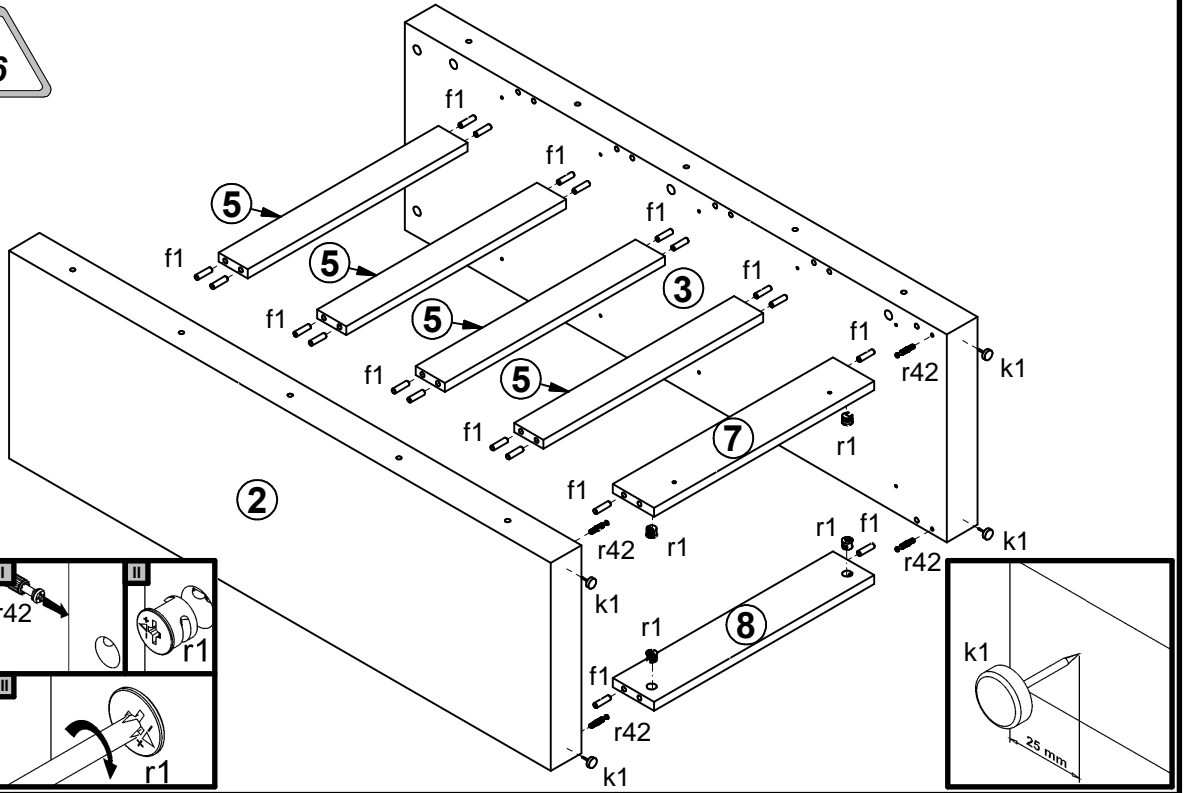
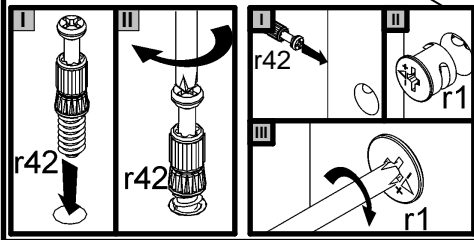
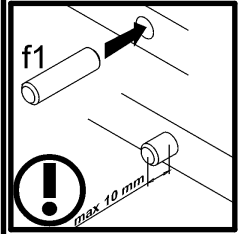


A	B	C	D	
1	S136-003	446	185	4/4
2	S136-105	1116	371	1/4
3	S136-106	1116	371	1/4
4	S136-202	580	371	1/4
5	S136-405	453	60	1/4
6	S136-406	451	50	1/4
7	S136-415	453	85	1/4
8	S136-416	453	85	1/4
9	S136-574	1133	65	3/4
10	S136-575	1133	65	3/4
11	S136-576	581	65	3/4
12	S136-903	1058	481	1/4
13	S136-904	415	348	1/4
14	ZS2-511	350	120	2/4
15	ZS2-512	350	120	2/4
16	ZS2-5557	404	120	2/4

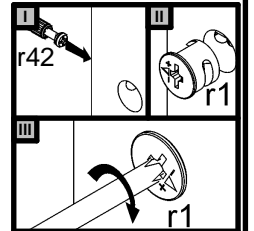
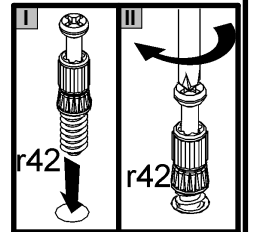
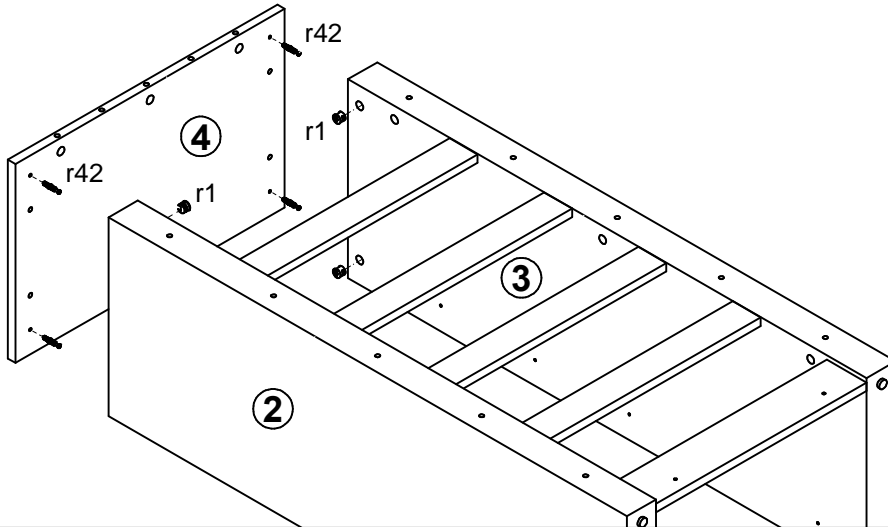


5x c317	20x φ5x9 mm e19	20x φ6x13 mm e3	32x φ8x30 mm f1	20x φ6.5x40 mm f25	10x M4x22 mm j30	4x k1	30x l1	4x φ3.5x16 mm p38
2x φ4x28 mm p94	21x φ1.5x12mm #16 r1	2x r10	20x φ12x10.5mm #12 r15	37x r42	5x 350 mm w45\CL	5x 350 mm w45\CR	5x 350 mm w45\DL	5x 350 mm w45\DR
1x n26\1	1x φ3.5x16 mm p38							

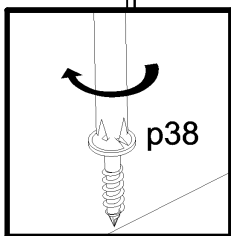
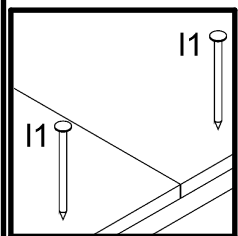
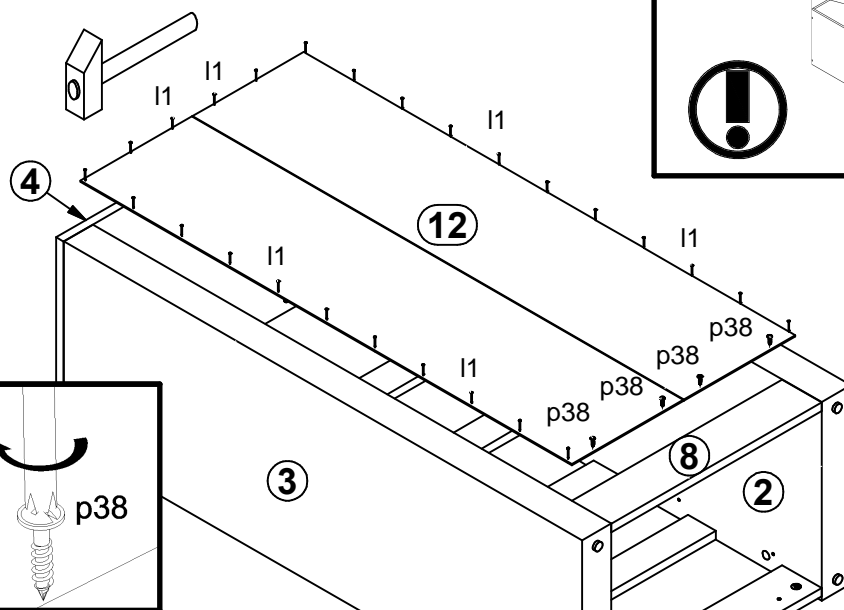
1  



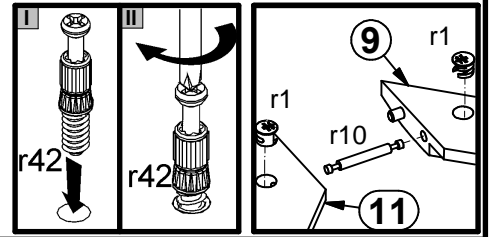
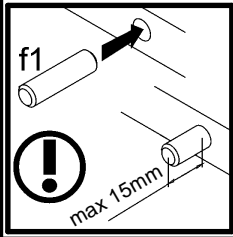
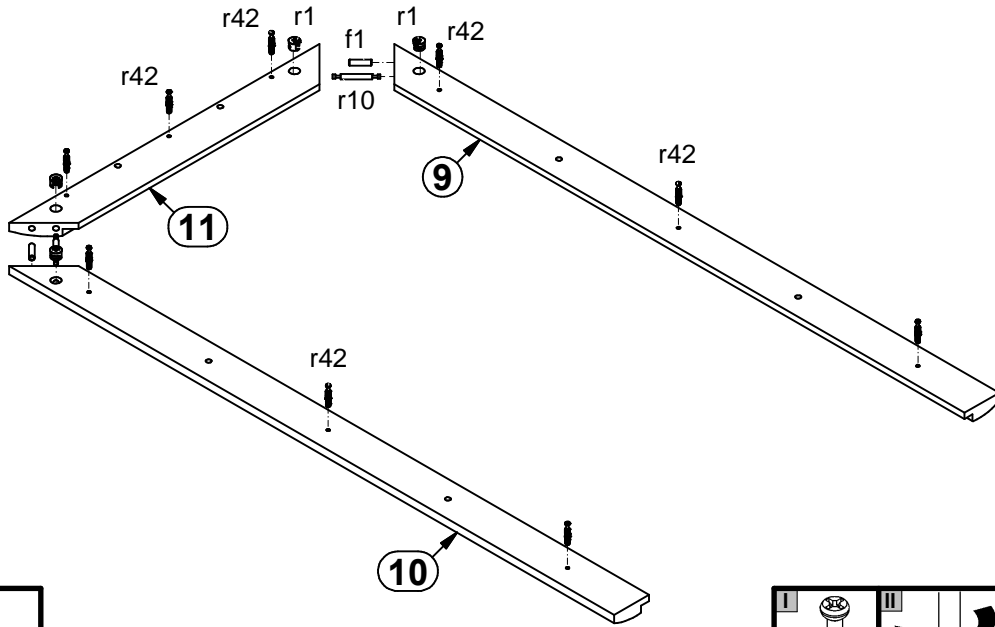
2



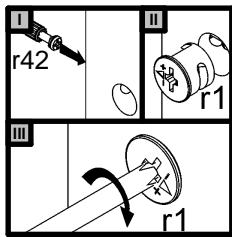
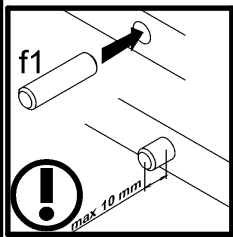
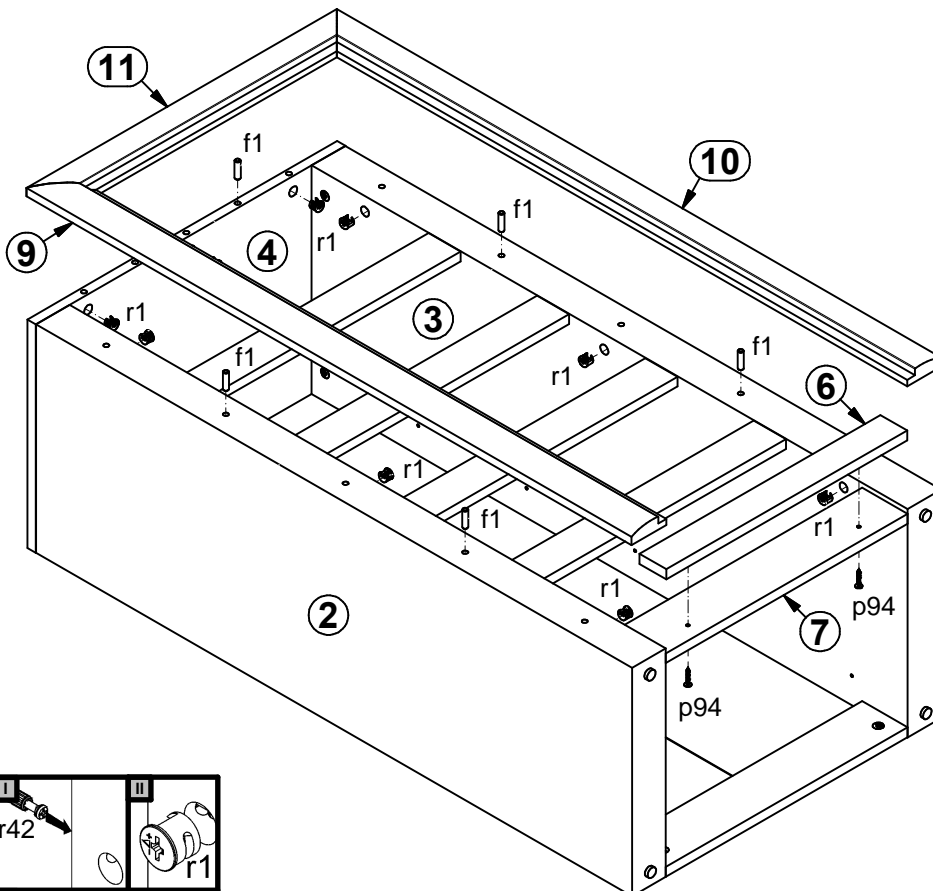
3



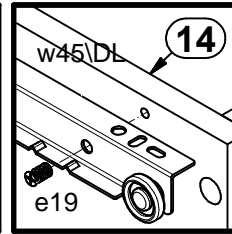
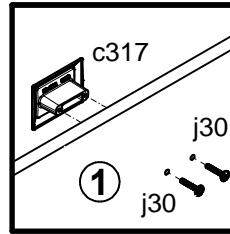
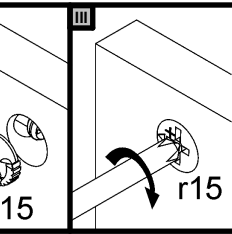
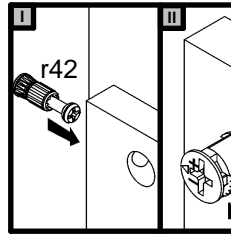
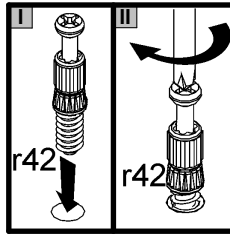
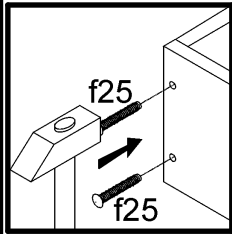
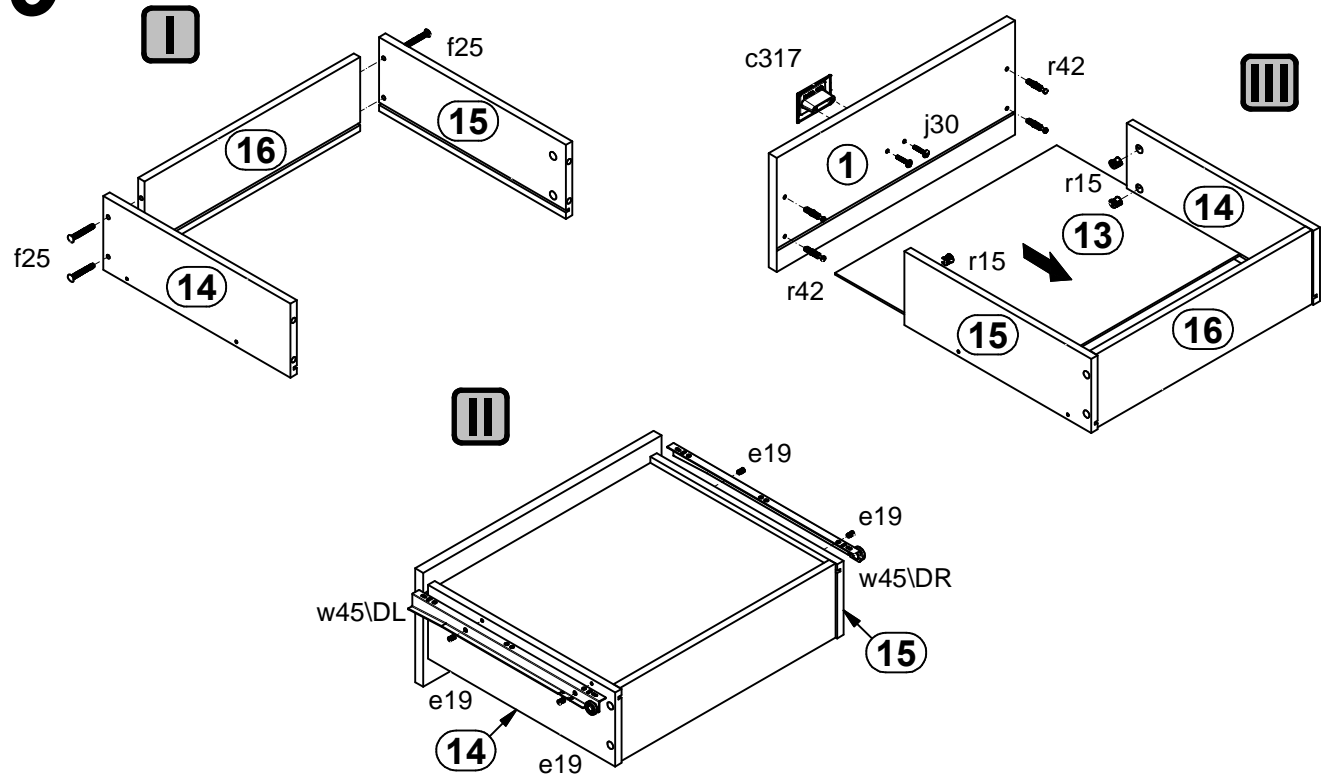
4



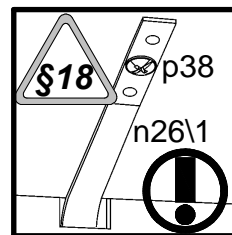
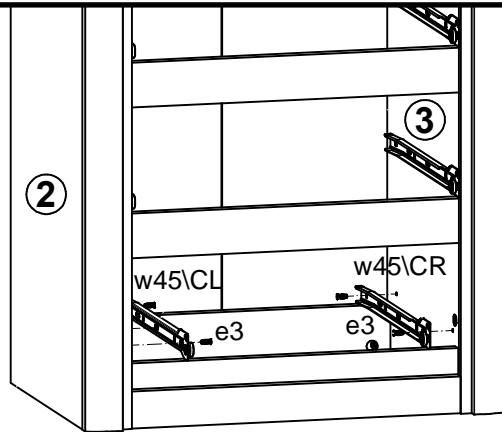
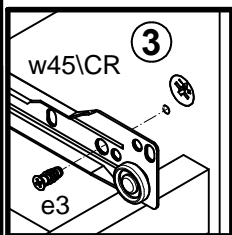
5



6



7



8

