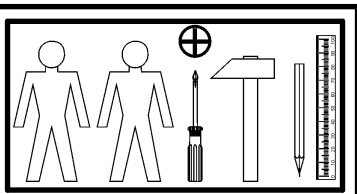
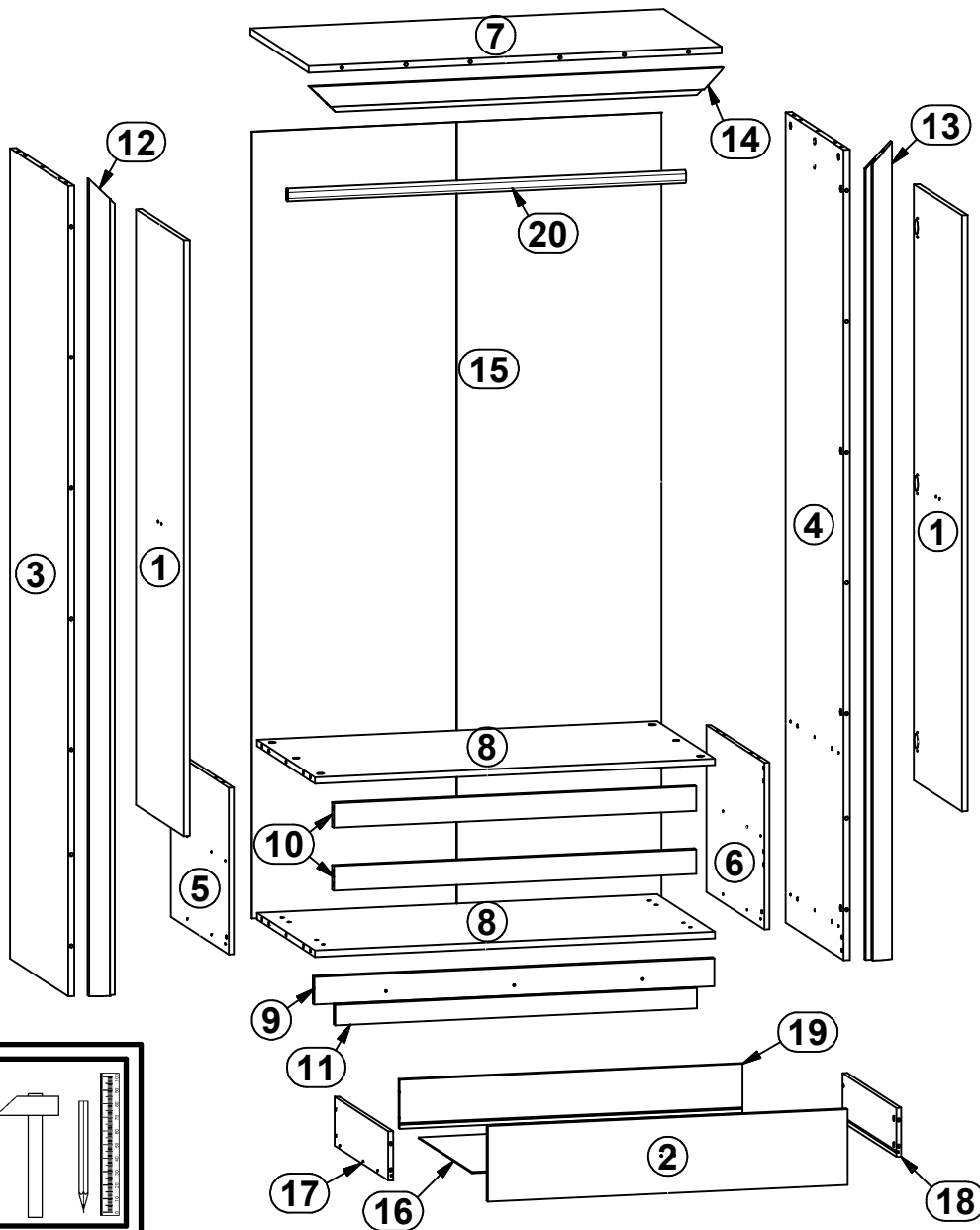
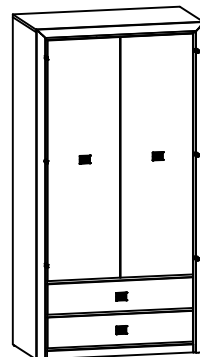
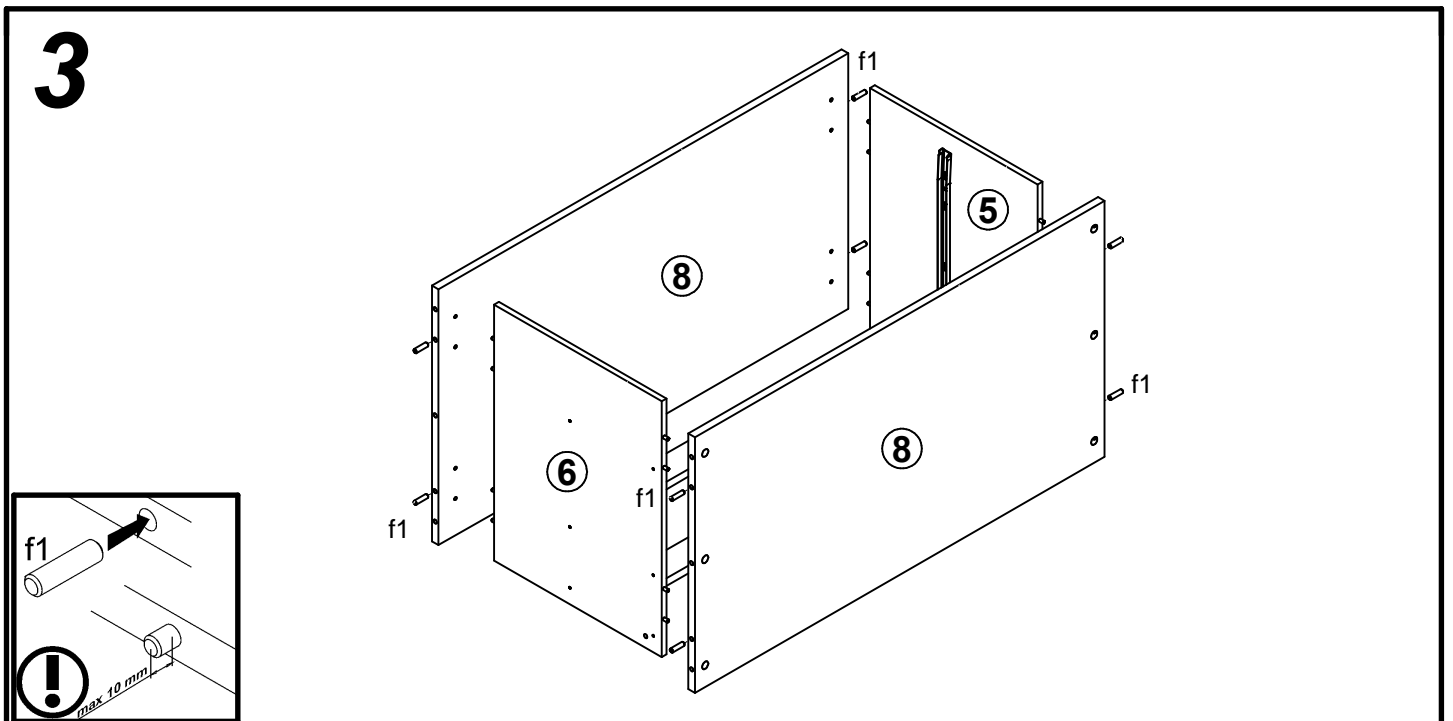
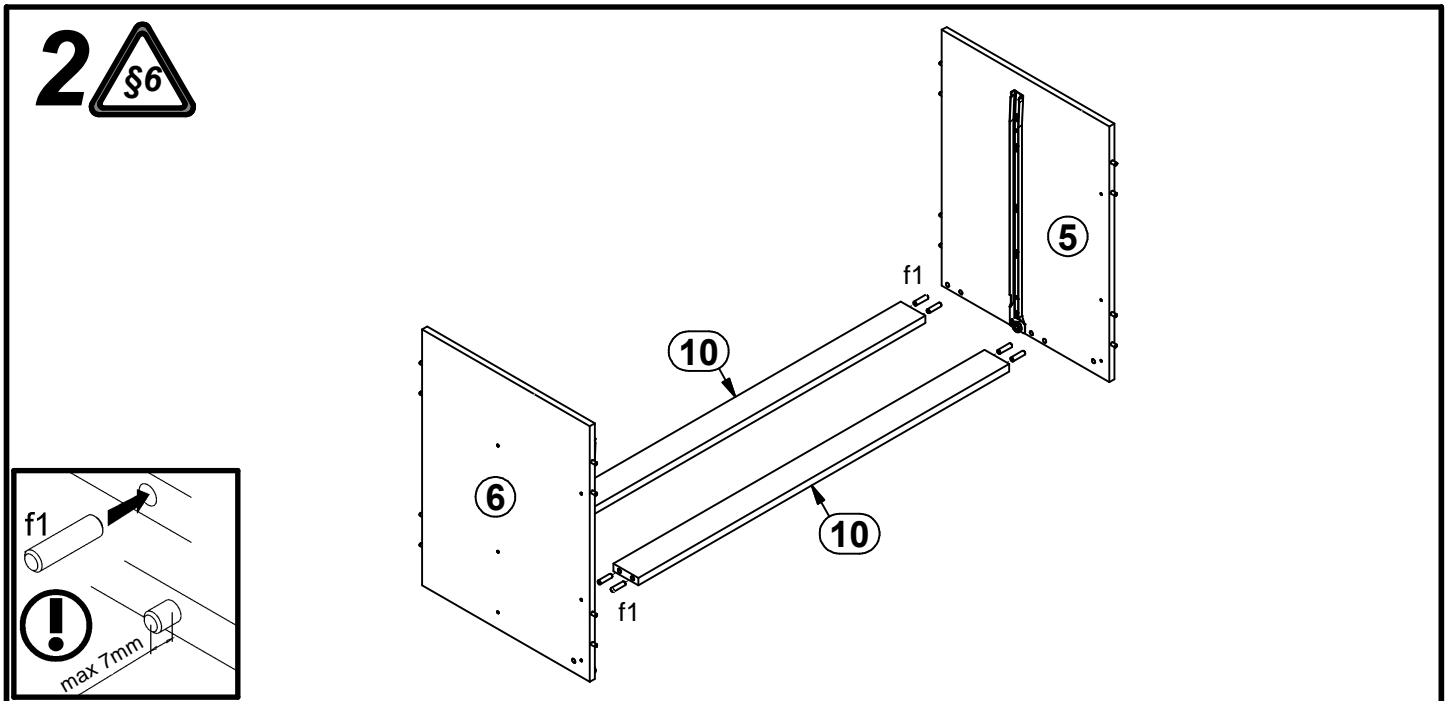
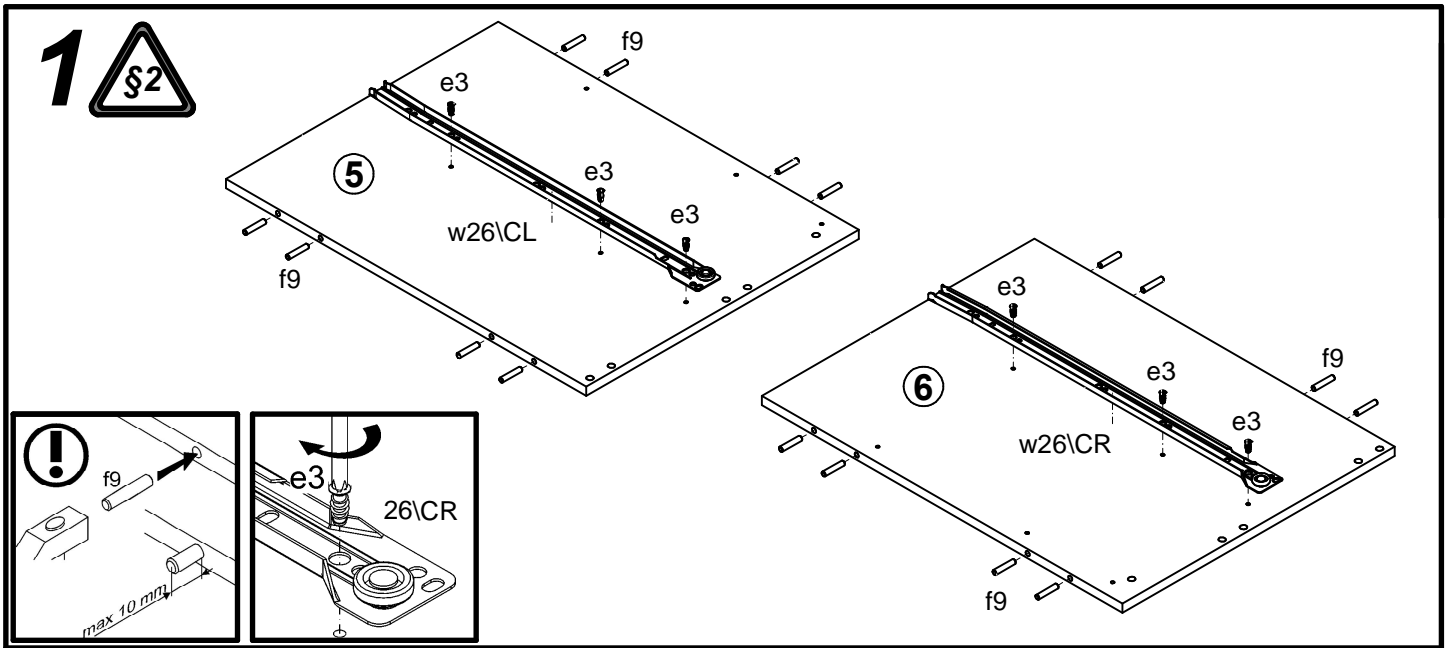
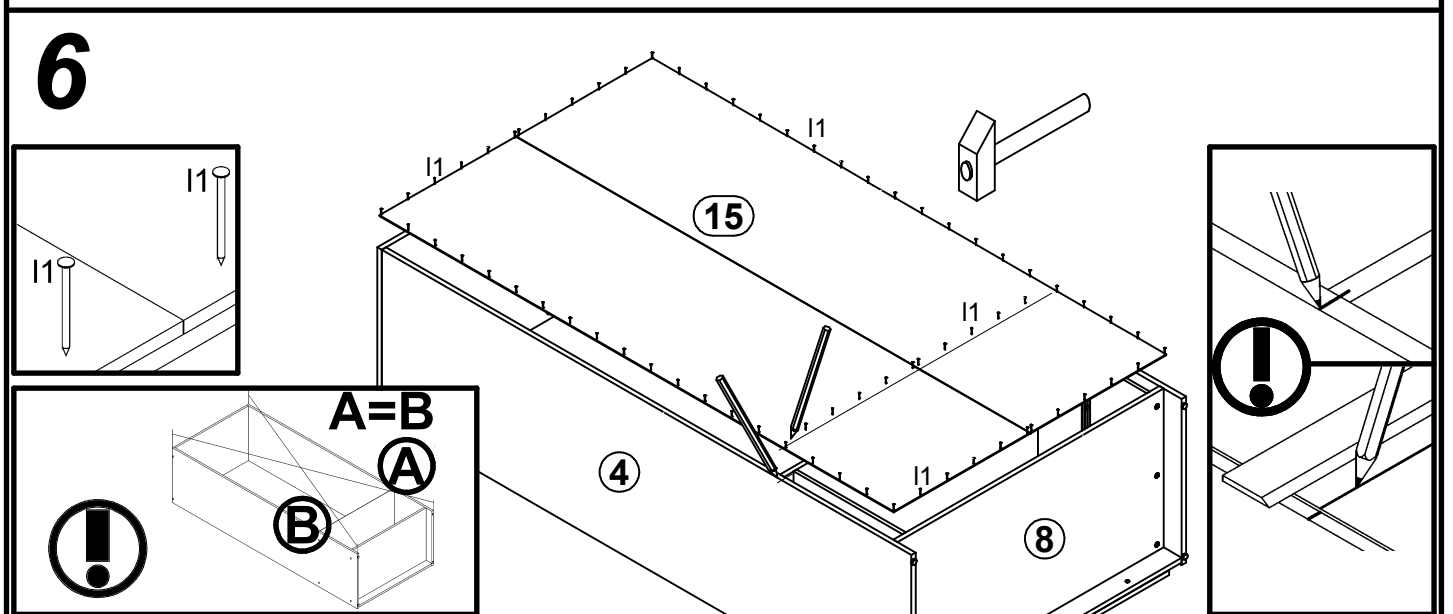
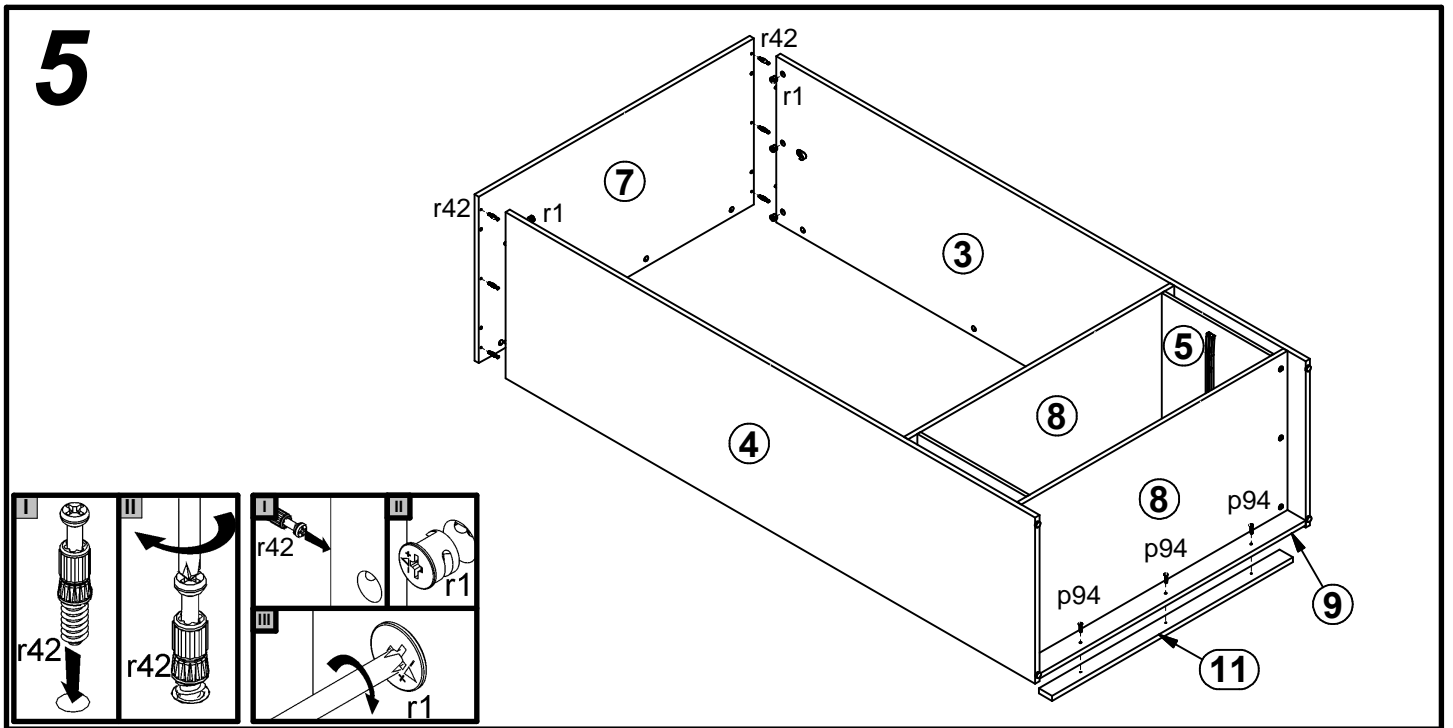
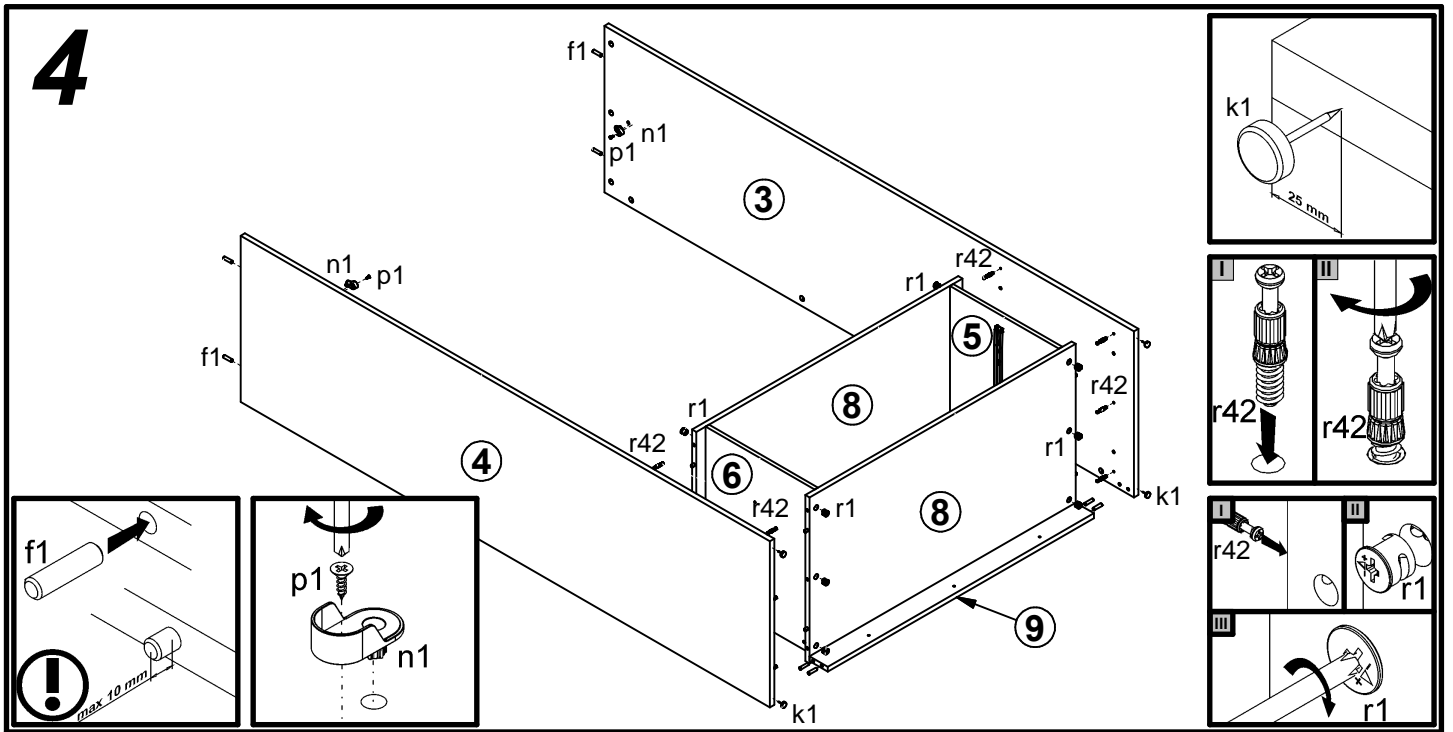


A	B	C		D	A	B	C		D
1	S136-001	1458	446	4/5	11	S136-403	901	50	2/5
2	S136-002	896	185	5/5	12	S136-571	2000	65	3/5
3	S136-101	1983	540	1/5	13	S136-572	2000	65	3/5
4	S136-102	1983	540	1/5	14	S136-573	1031	65	3/5
5	S136-103	408	540	2/5	15	S136-901	1925	1021	1/5
6	S136-104	408	540	2/5	16	S136-902	865	498	2/5
7	S136-201	1030	540	2/5	17	ZS2-509	500	120	2/5
8	S136-301	997	540	2/5	18	ZS2-510	500	120	2/5
9	S136-401	997	68	2/5	19	ZS2-5556	854	120	2/5
10	S136-402	903	60	2/5	20	dr-992	992	30	2/5

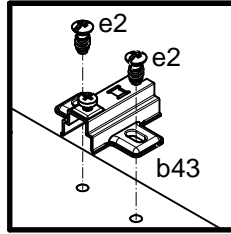
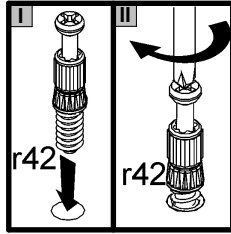
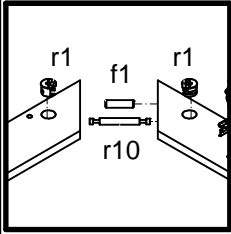
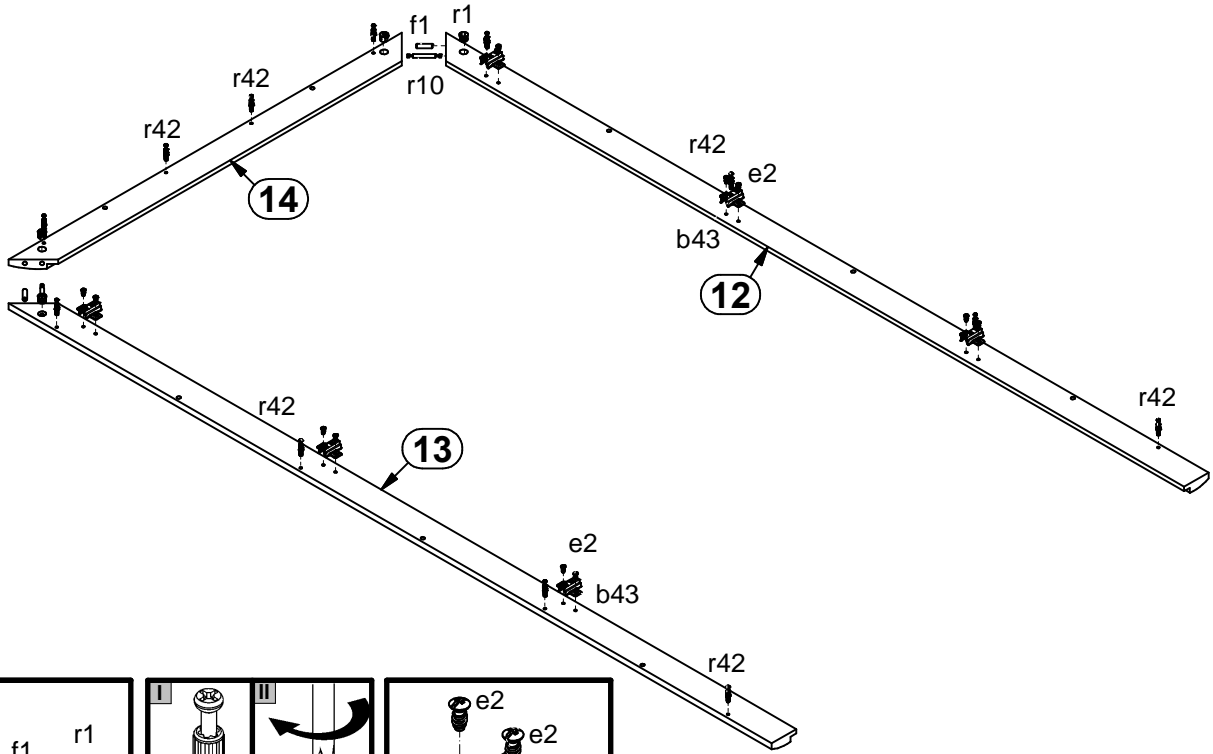


6x a99	6x b43	4x c317	12x φ5x9 mm e19	12x φ6,3x13 mm e2	12x φ6x13 mm e3	34x φ8x30 mm f1	8x φ6,5x40 mm f25	16x φ6x30 mm f9
8x M4x22 mm j30	4x k1	70x l1	2x n1	2x φ3,5x13 mm p1	4x φ3,5x16 mm p25	12x φ3,5x15 mm p51	3x φ4x28 mm p94	34x φ15x12mm #16 r1
2x r10	8x φ12x10,5mm #12 r15	38x r42	12x ø16 s2	2x 483 mm t17	2x 500 mm w26\CL	2x 500 mm w26\CR	2x 500 mm w26\DL	2x 500 mm w26\DR
1x n26\1	1x φ3,5x16 mm p38							

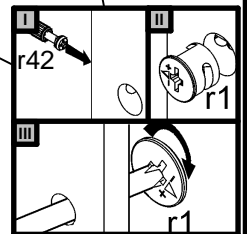
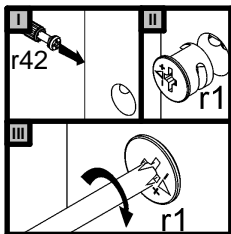
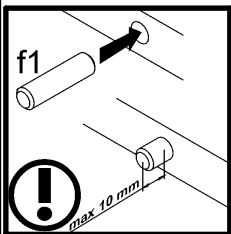
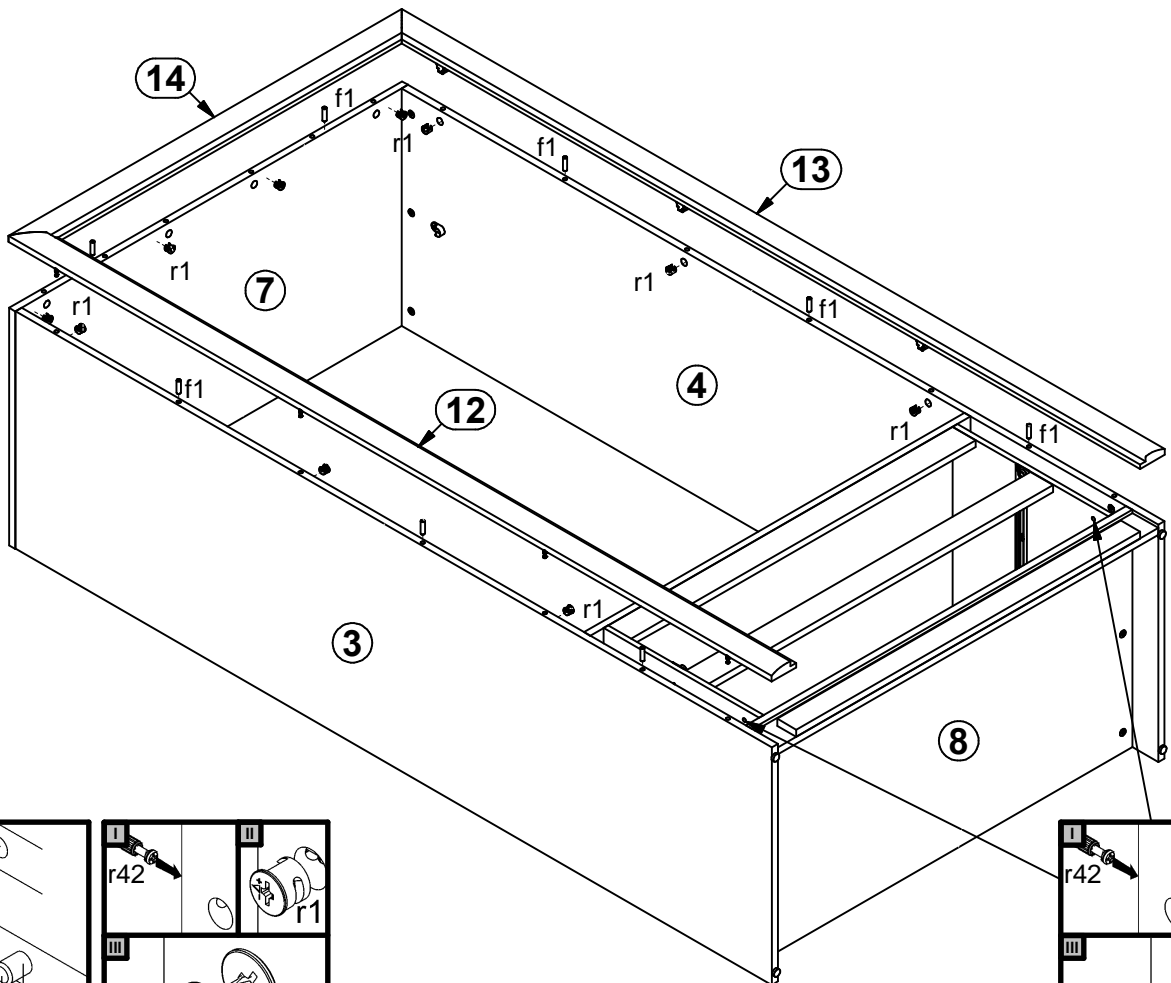




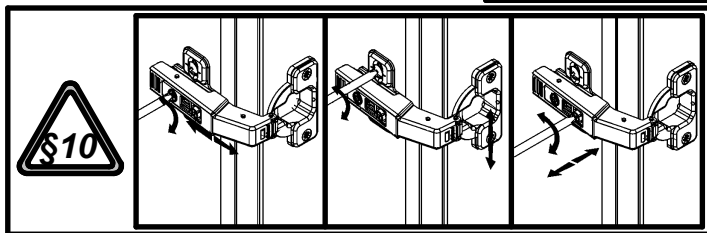
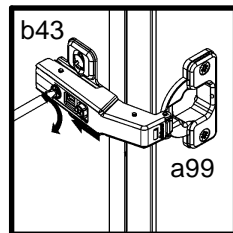
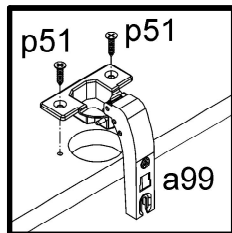
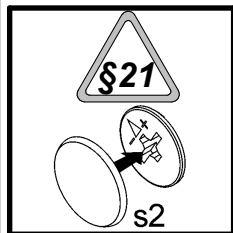
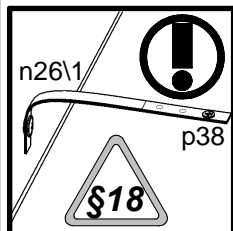
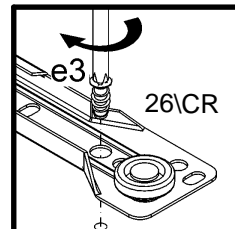
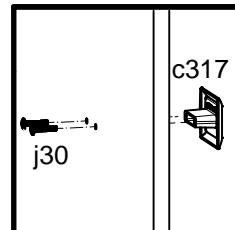
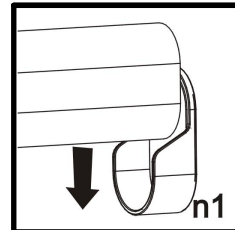
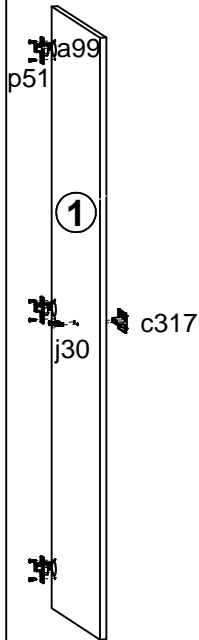
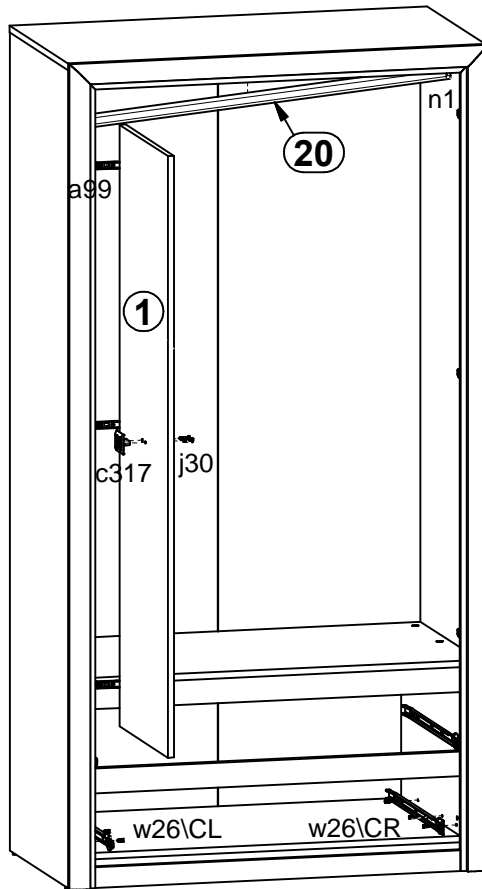
7



8



9



10

