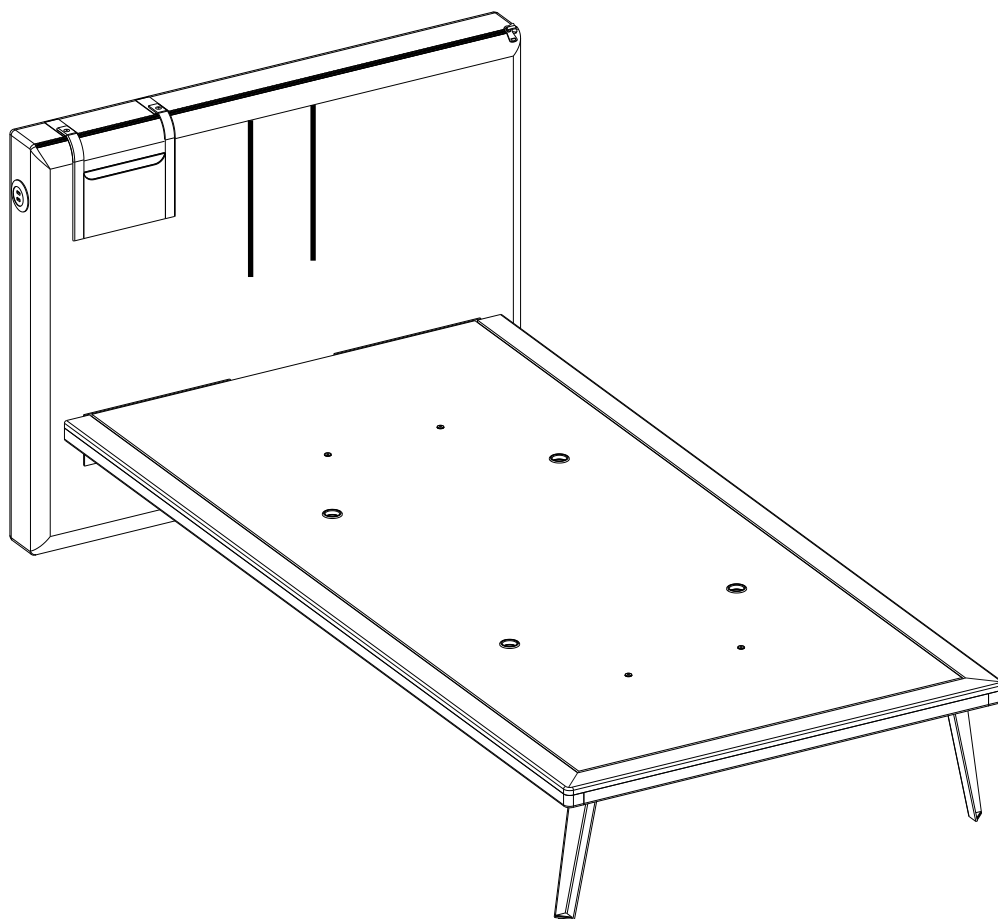
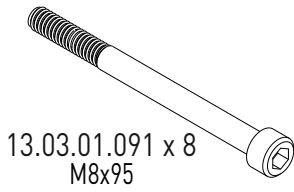
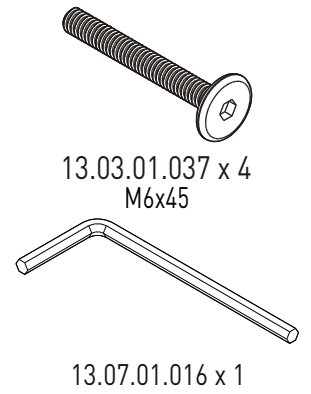
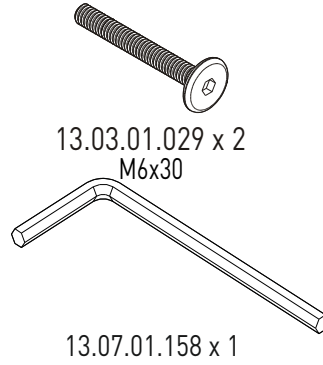
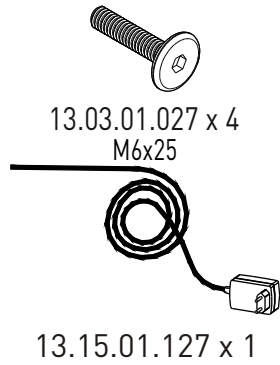
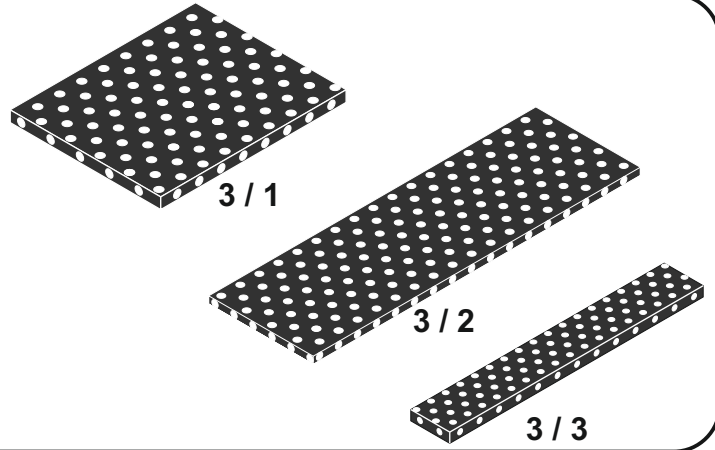
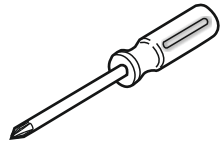
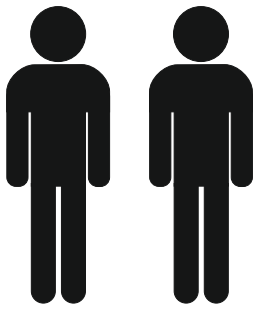
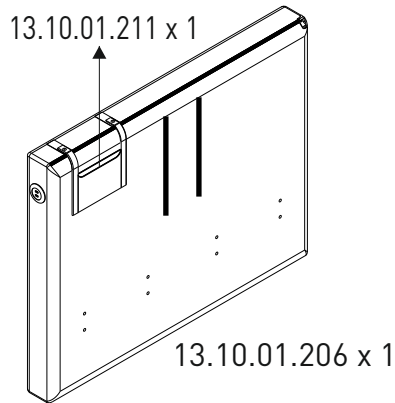


20.52.1302.00

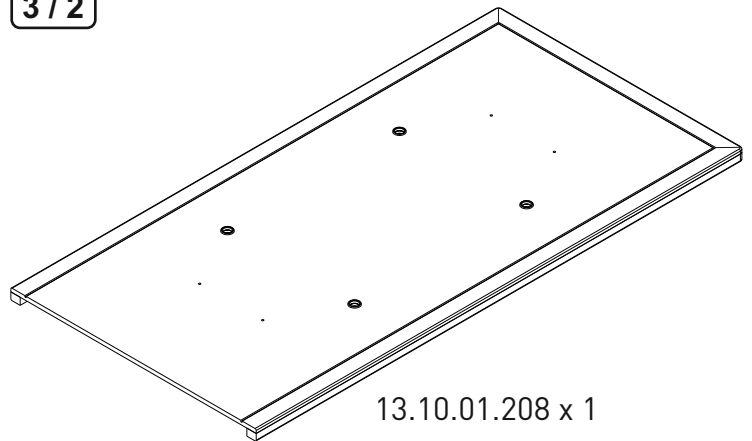




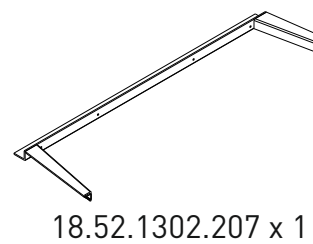
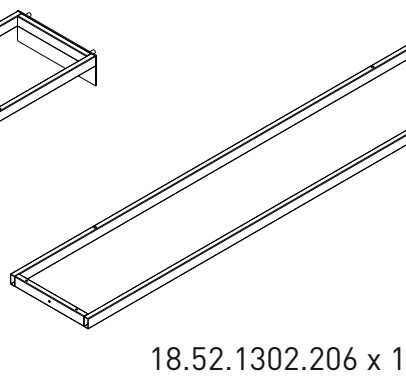
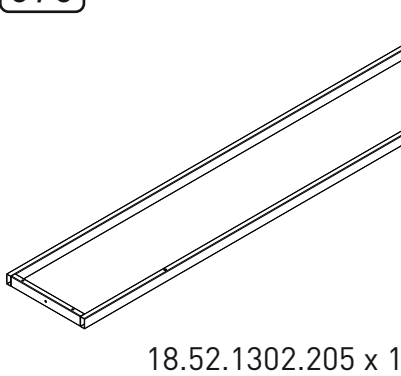
3 / 1



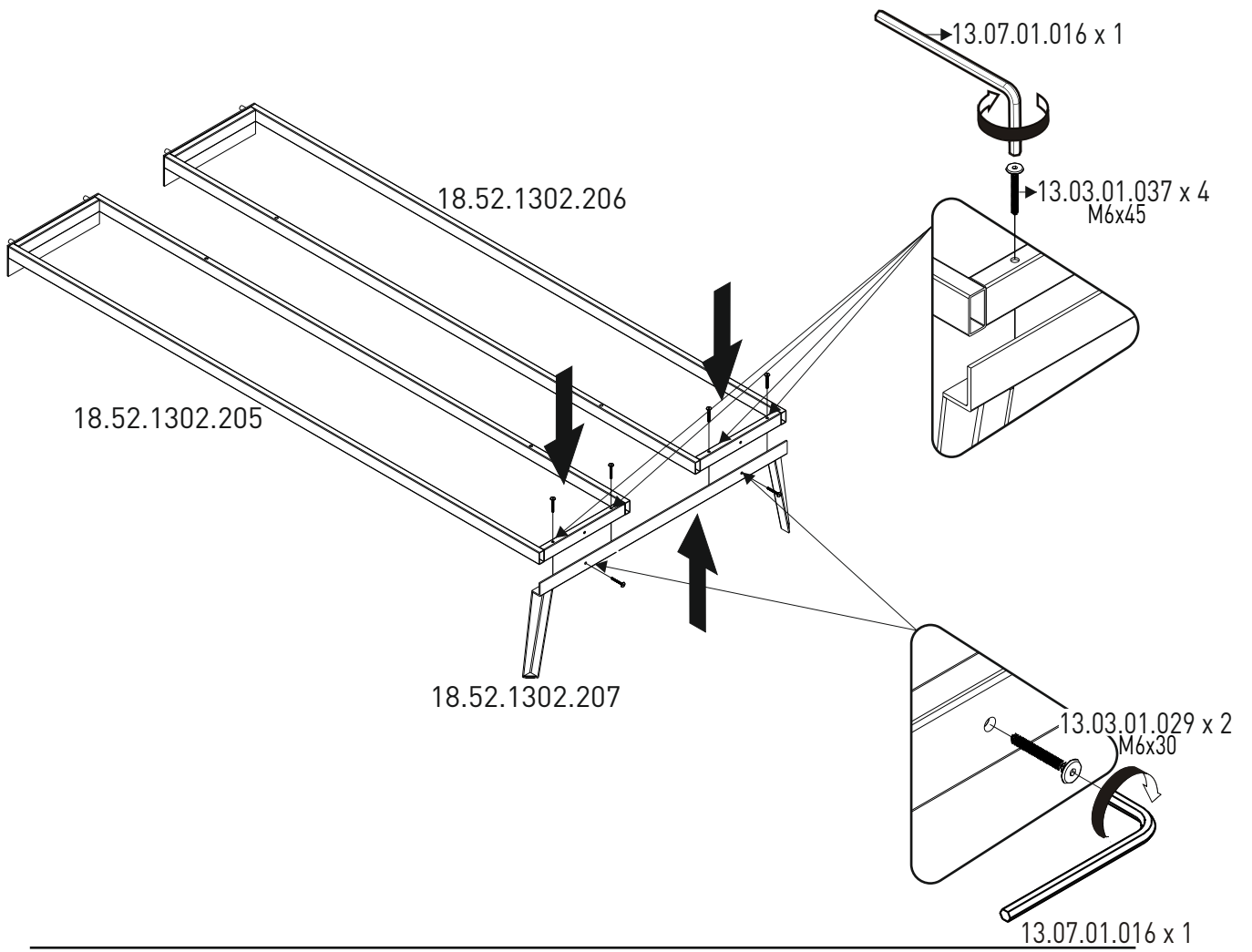
3 / 2



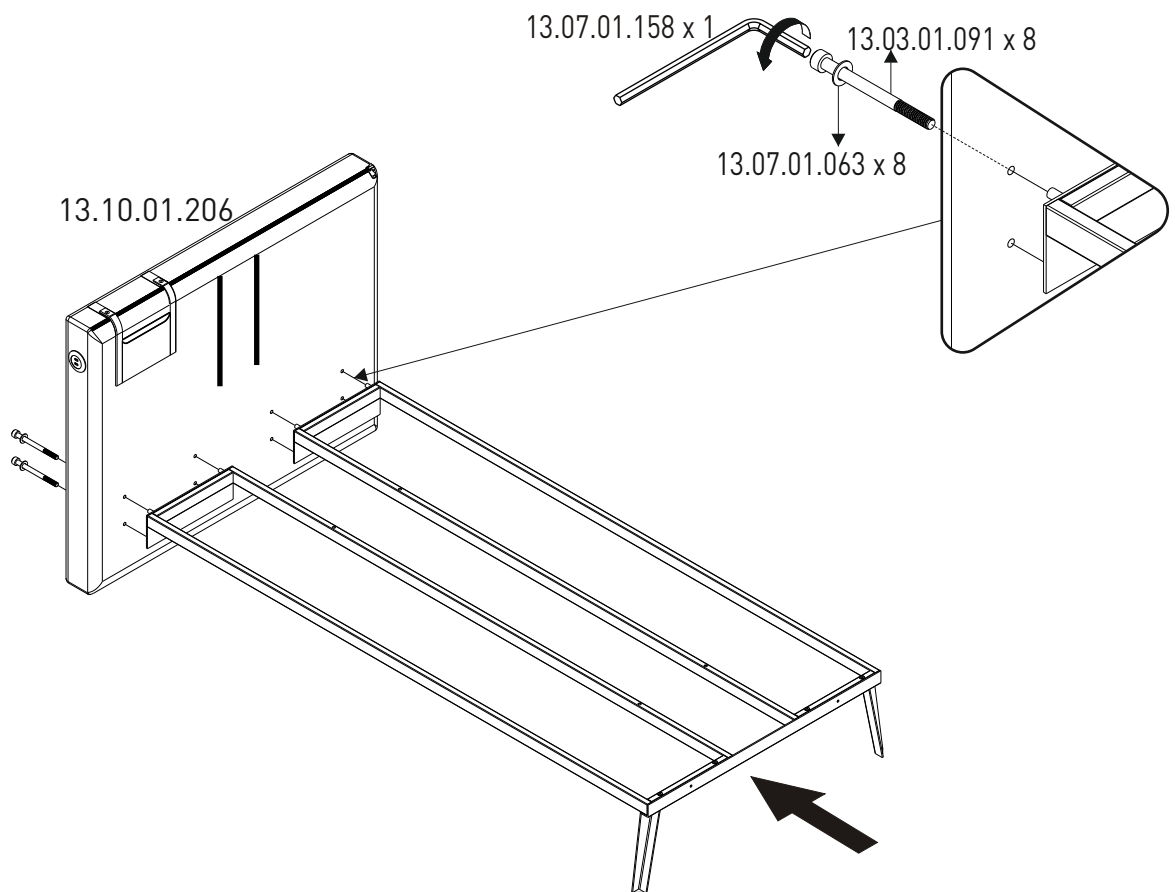
3 / 3



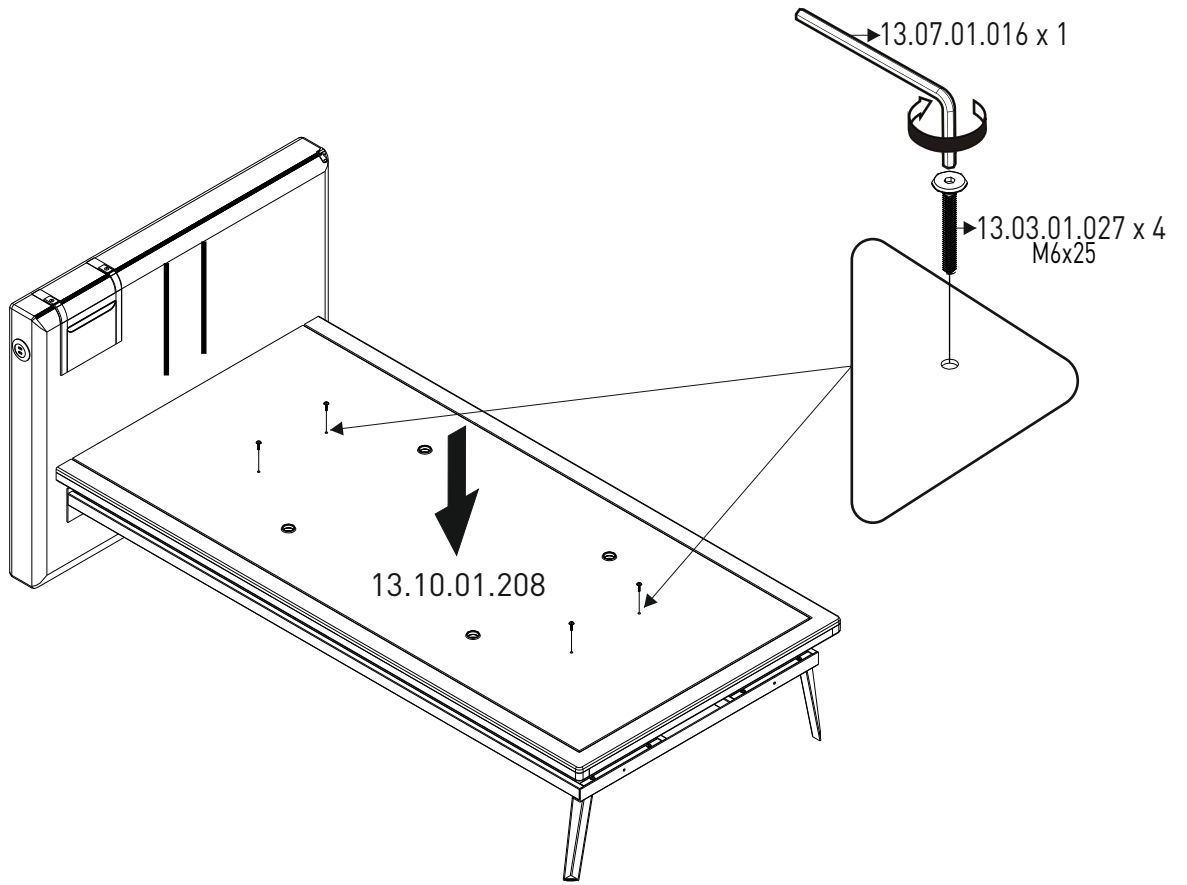
1



2



3



4

