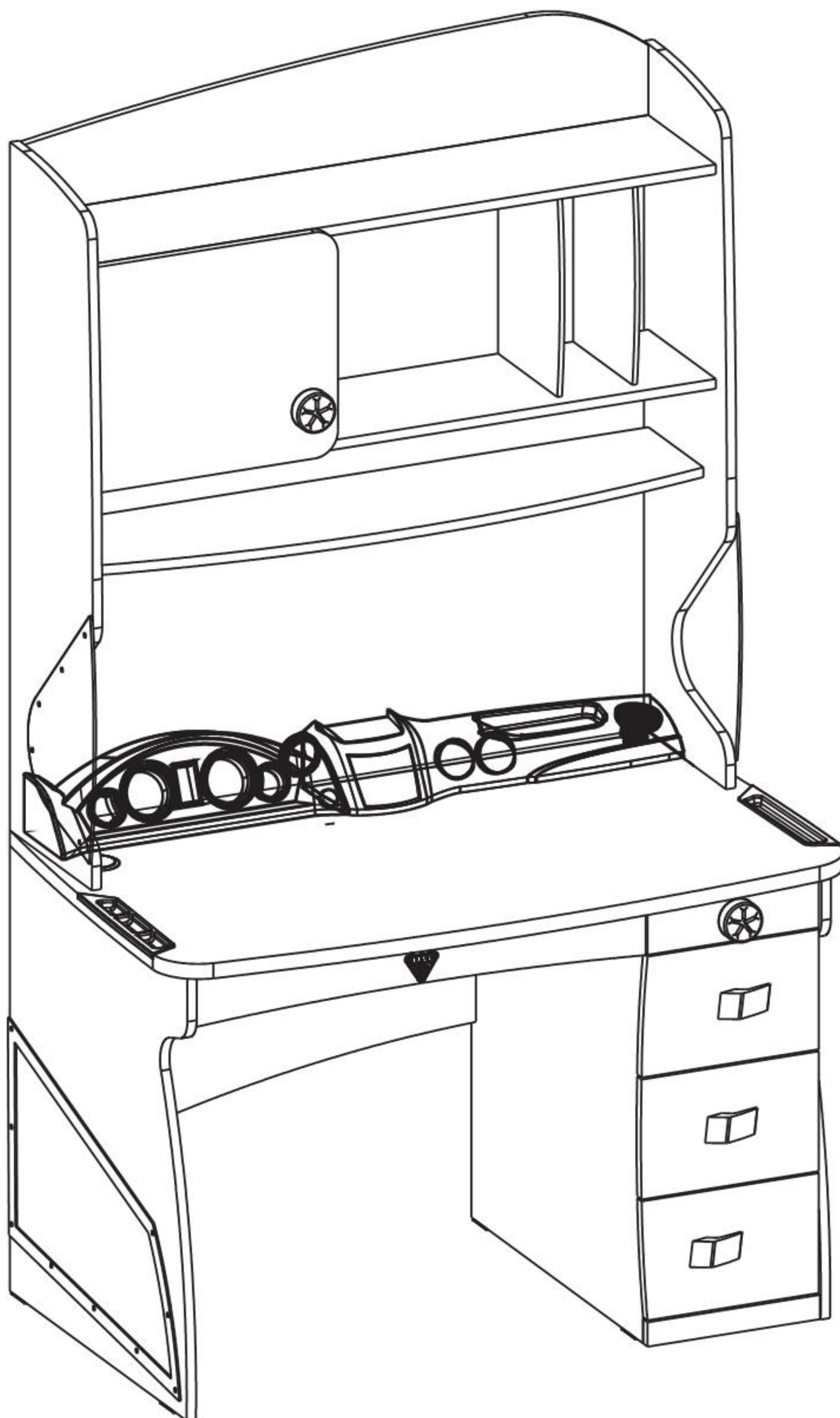
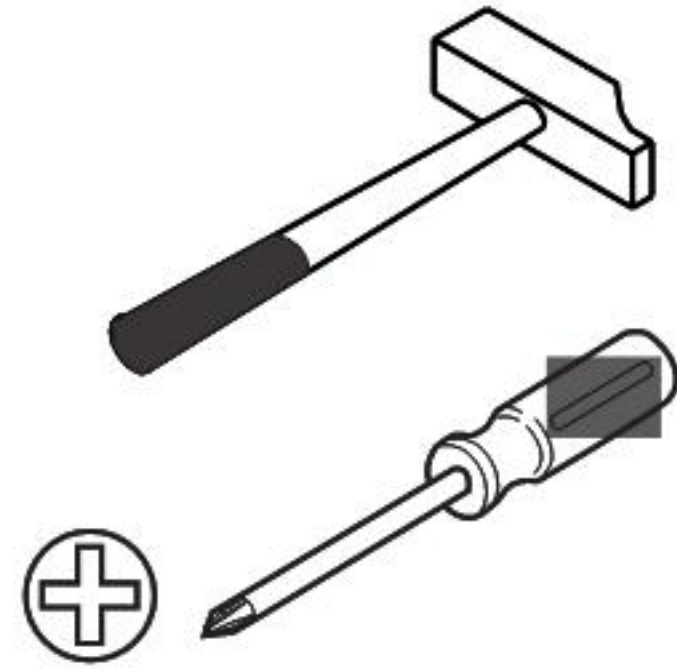
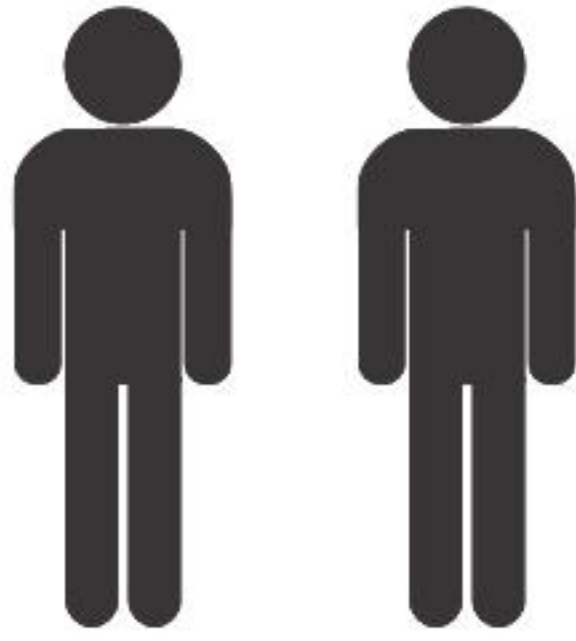


20.35.1101.00





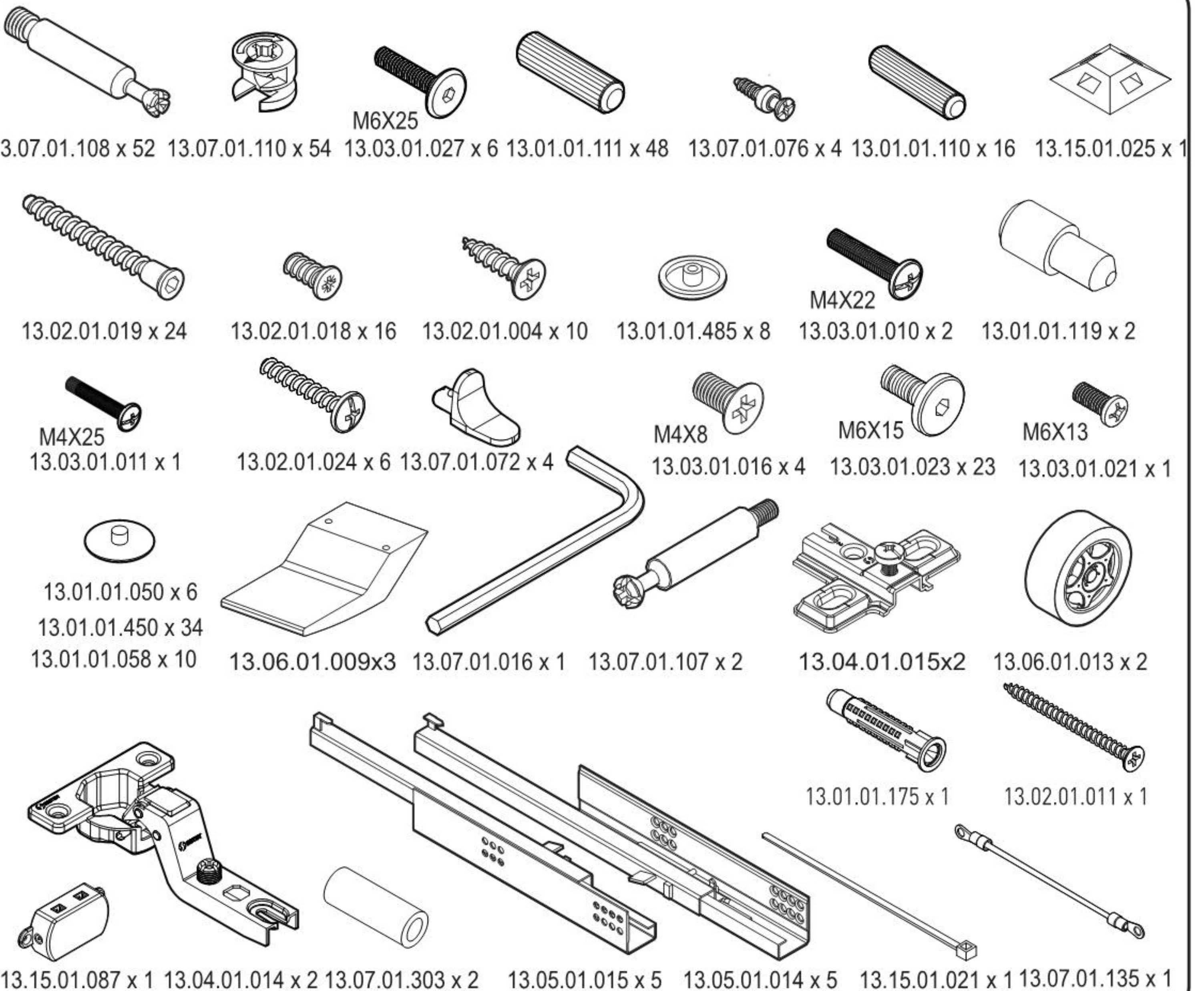


1 / 4

2 / 4

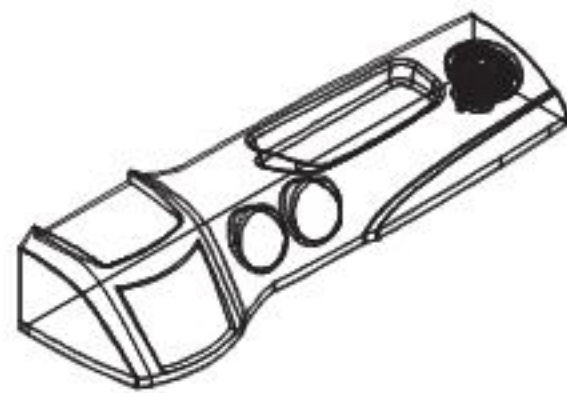
3 / 4

4 / 4

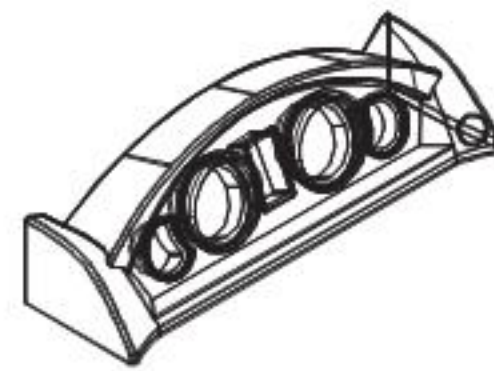




4 / 1

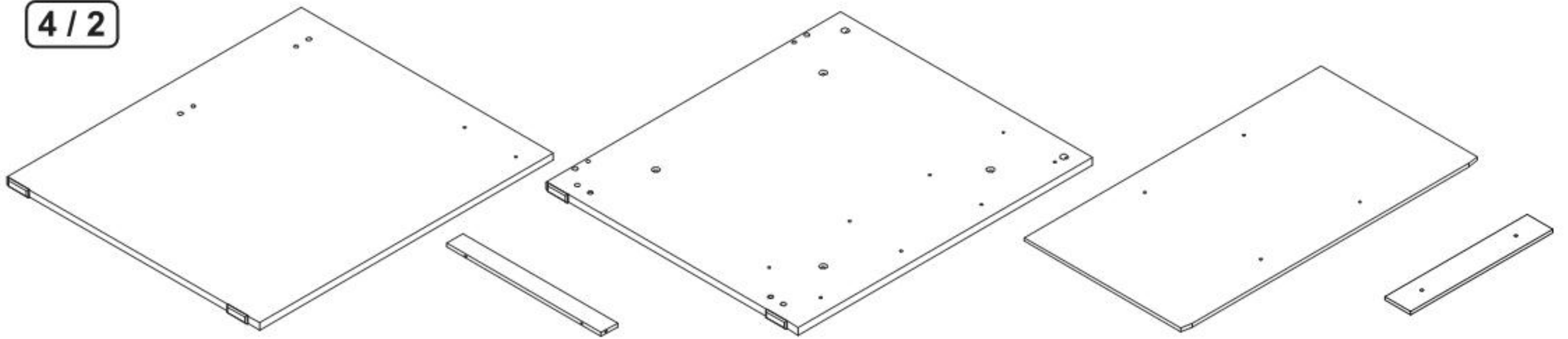


18.35.1101.041 x 1

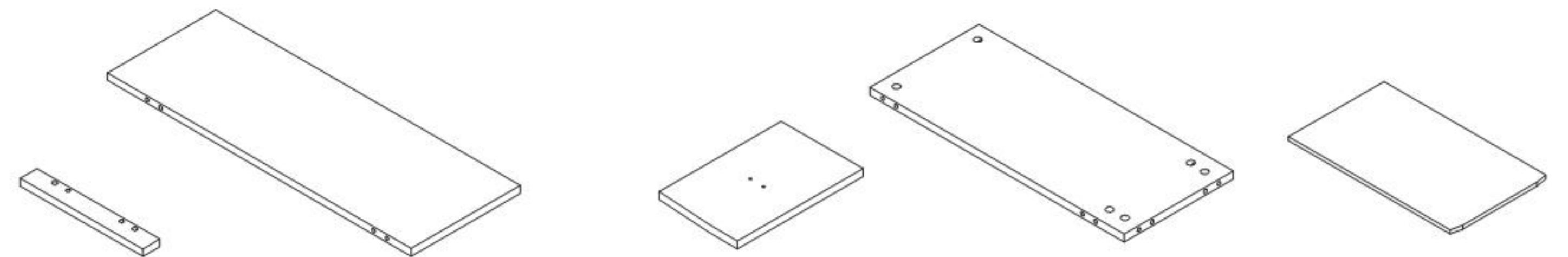


18.35.1101.042 x 1

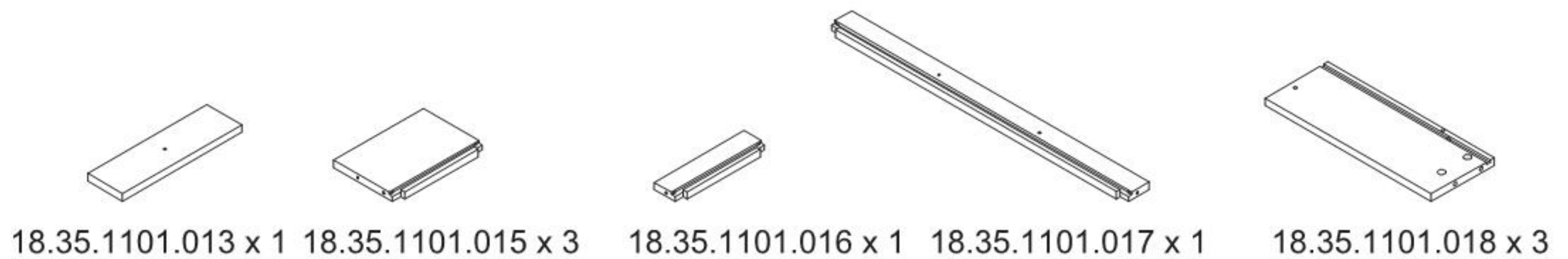
4 / 2



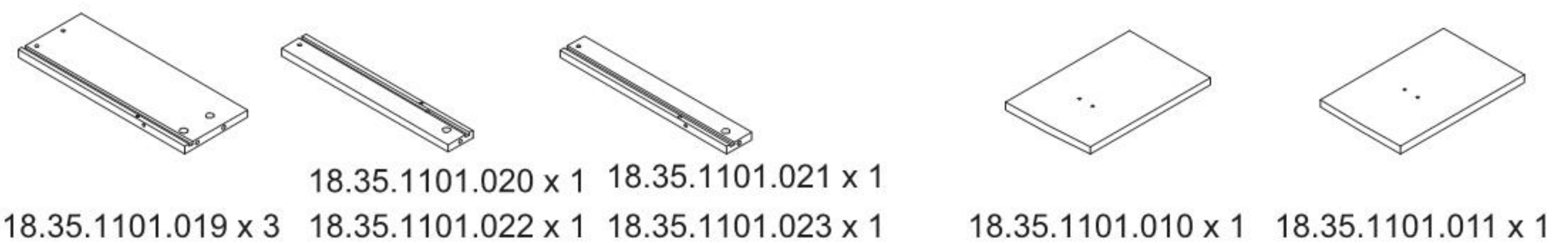
18.35.1101.004 x 1 18.35.1101.026 x 2 18.35.1101.005 x 1 18.35.1101.025 x 1 18.35.1101.043 x 1



18.35.1101.007 x 1 18.35.1101.008 x 1 18.35.1101.012 x 1 18.35.1101.006 x 1 18.35.1101.024 x 4

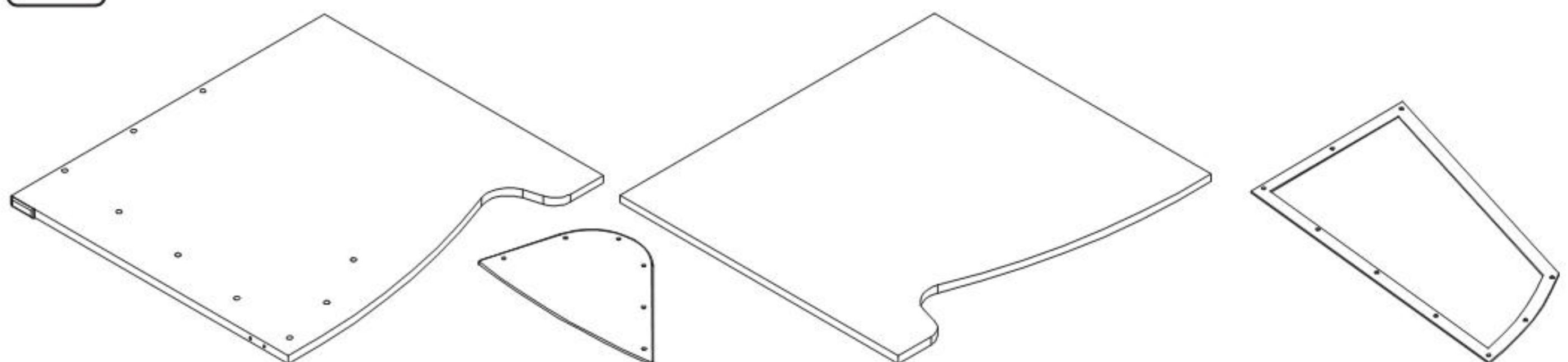


18.35.1101.013 x 1 18.35.1101.015 x 3 18.35.1101.016 x 1 18.35.1101.017 x 1 18.35.1101.018 x 3



18.35.1101.019 x 3 18.35.1101.020 x 1 18.35.1101.021 x 1 18.35.1101.022 x 1 18.35.1101.023 x 1 18.35.1101.010 x 1 18.35.1101.011 x 1

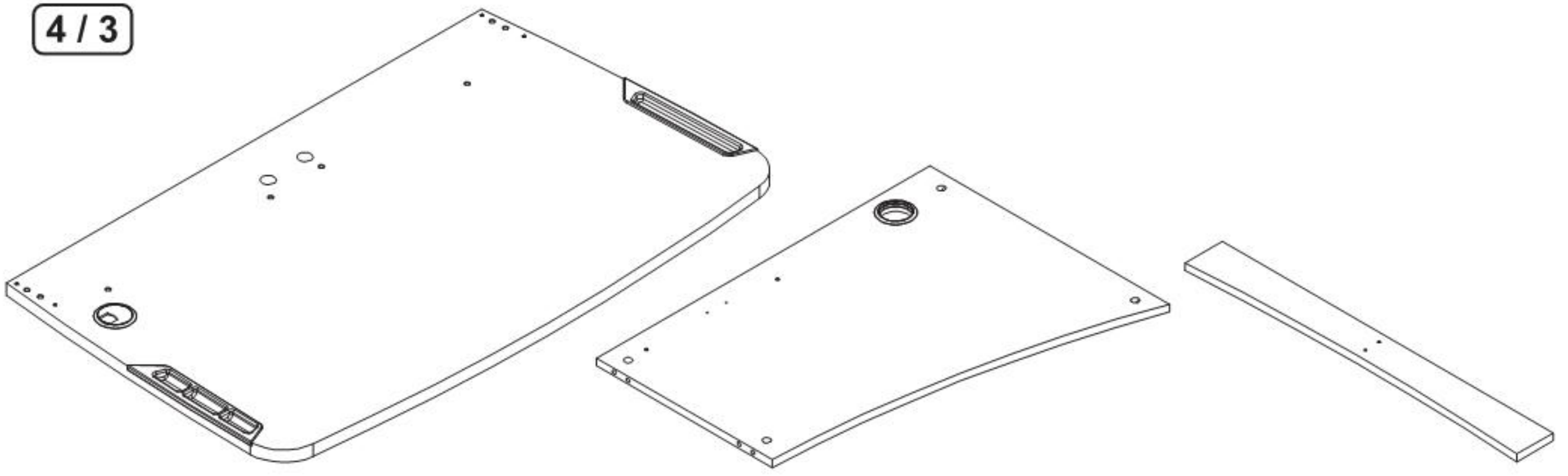
4 / 3



18.35.1101.002 x 1 13.01.01.489 x 2 18.35.1101.003 x 1 13.01.01.477 x 1



4 / 3



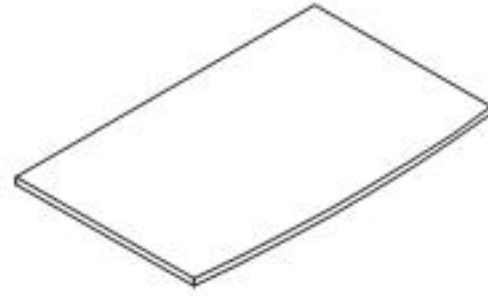
18.35.1101.001 x 1

18.35.1101.009 x 1

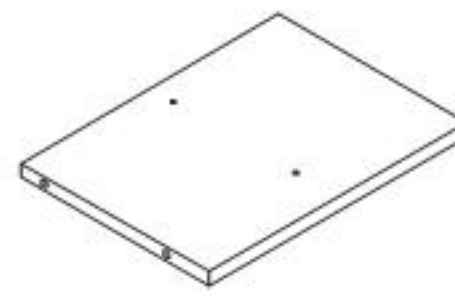
18.35.1101.014 x 1



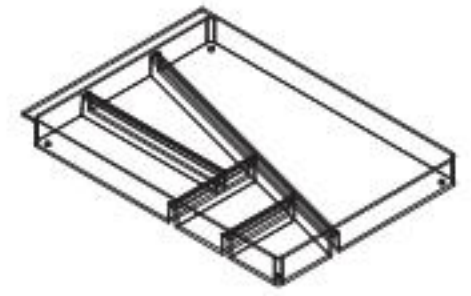
18.35.1101.036 x 2



18.35.1101.037 x 1

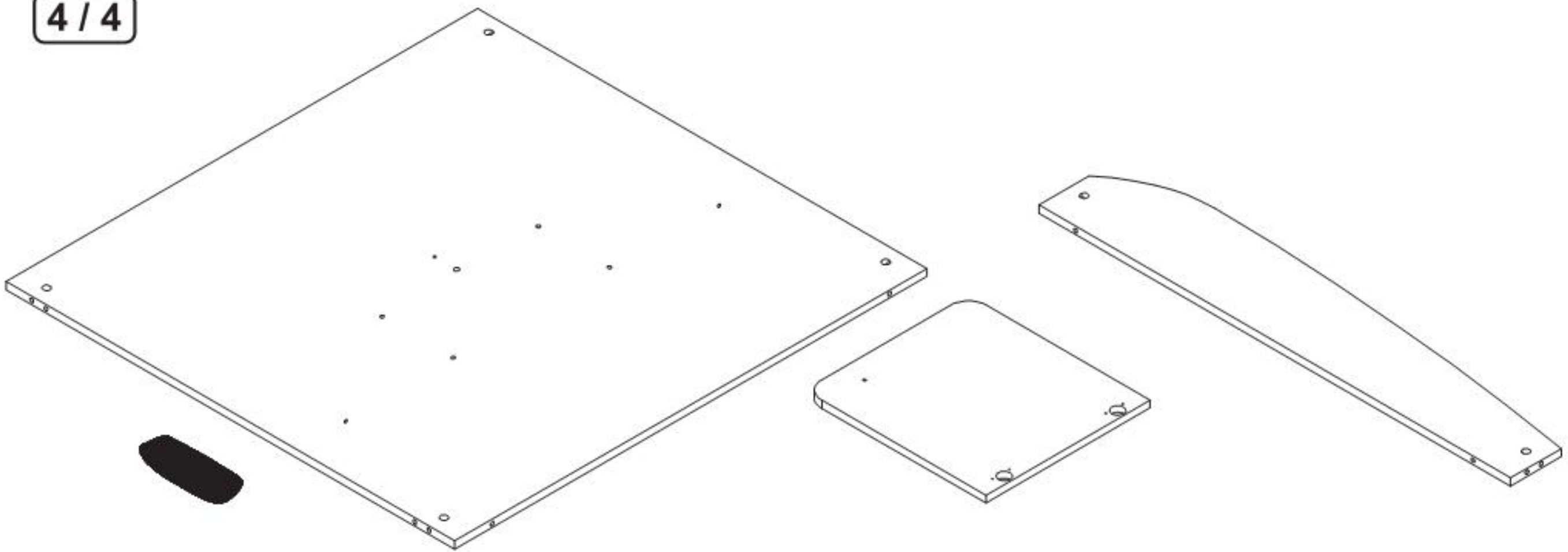


18.35.1101.032 x 1



13.01.01.463 x 1

4 / 4

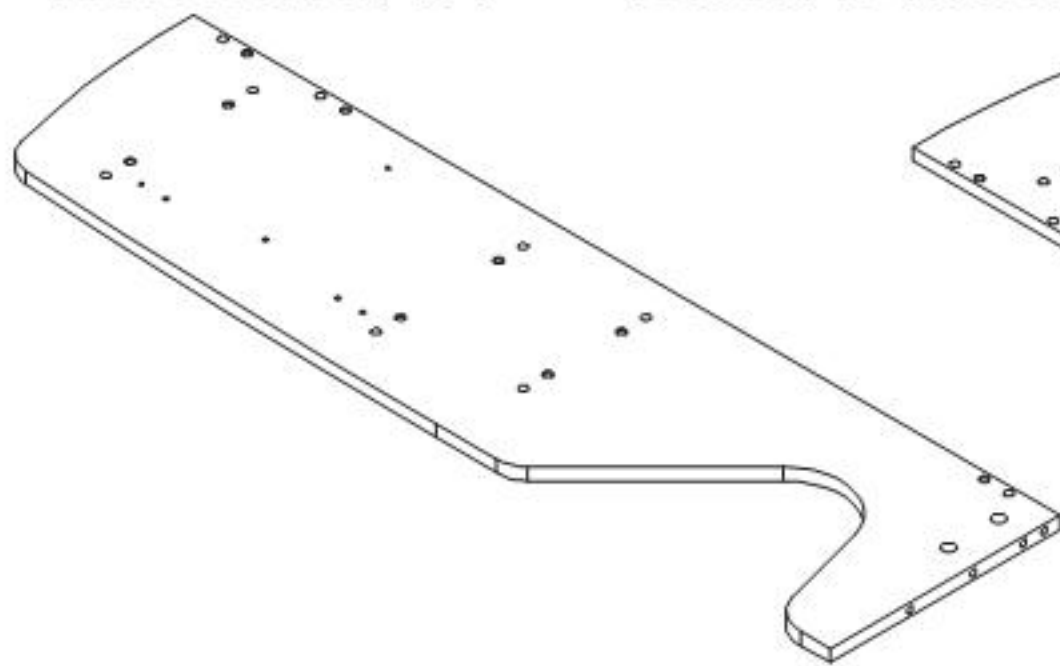


13.01.01.494 x 1

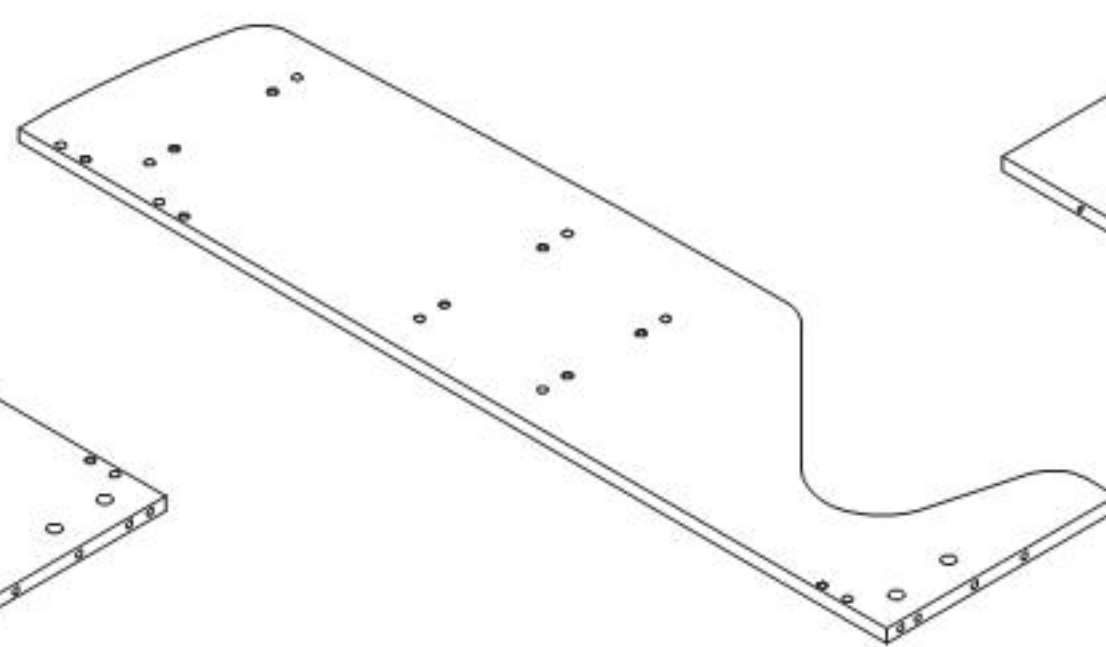
18.35.1101.034 x 1

18.35.1101.035 x 1

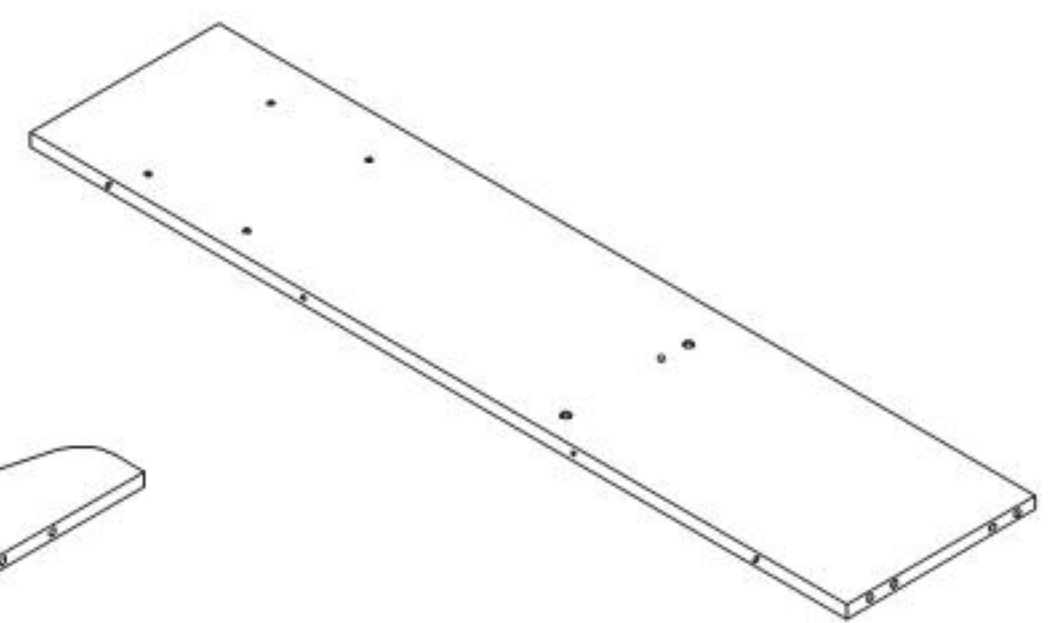
18.35.1101.033 x 1



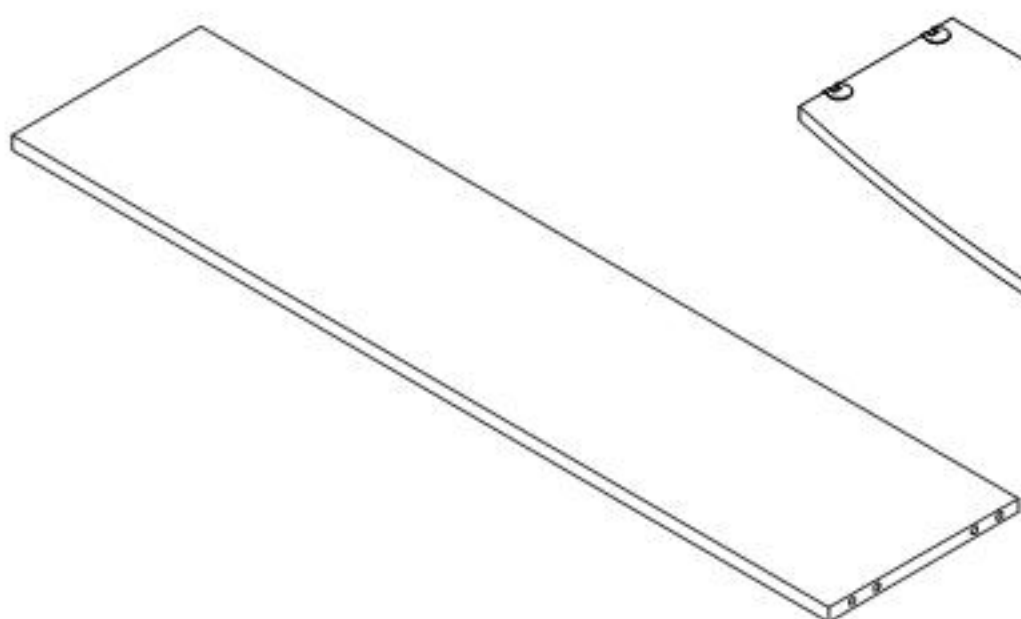
18.35.1101.027 x 1



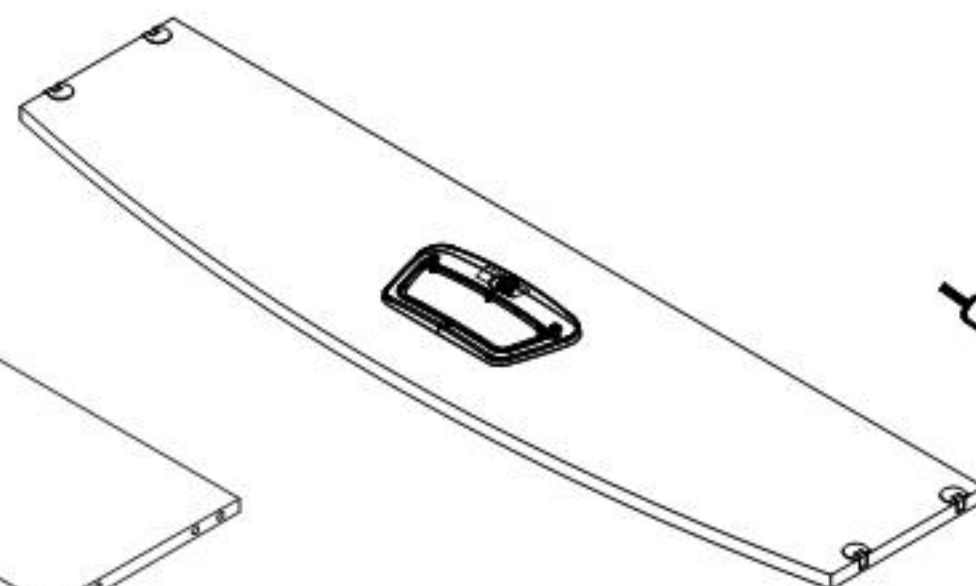
18.35.1101.028 x 1



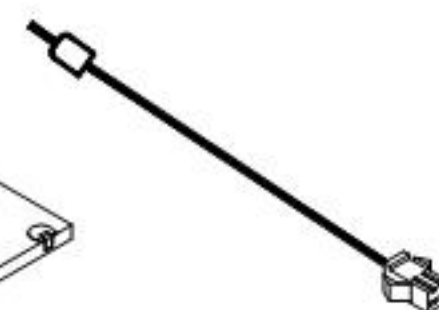
18.35.1101.030 x 1



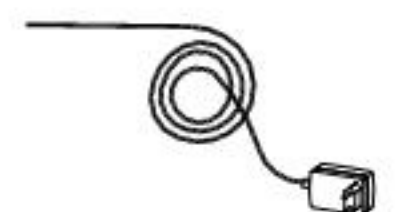
18.35.1101.031 x 1



18.35.1101.029 x 1



13.15.01.100 x 1

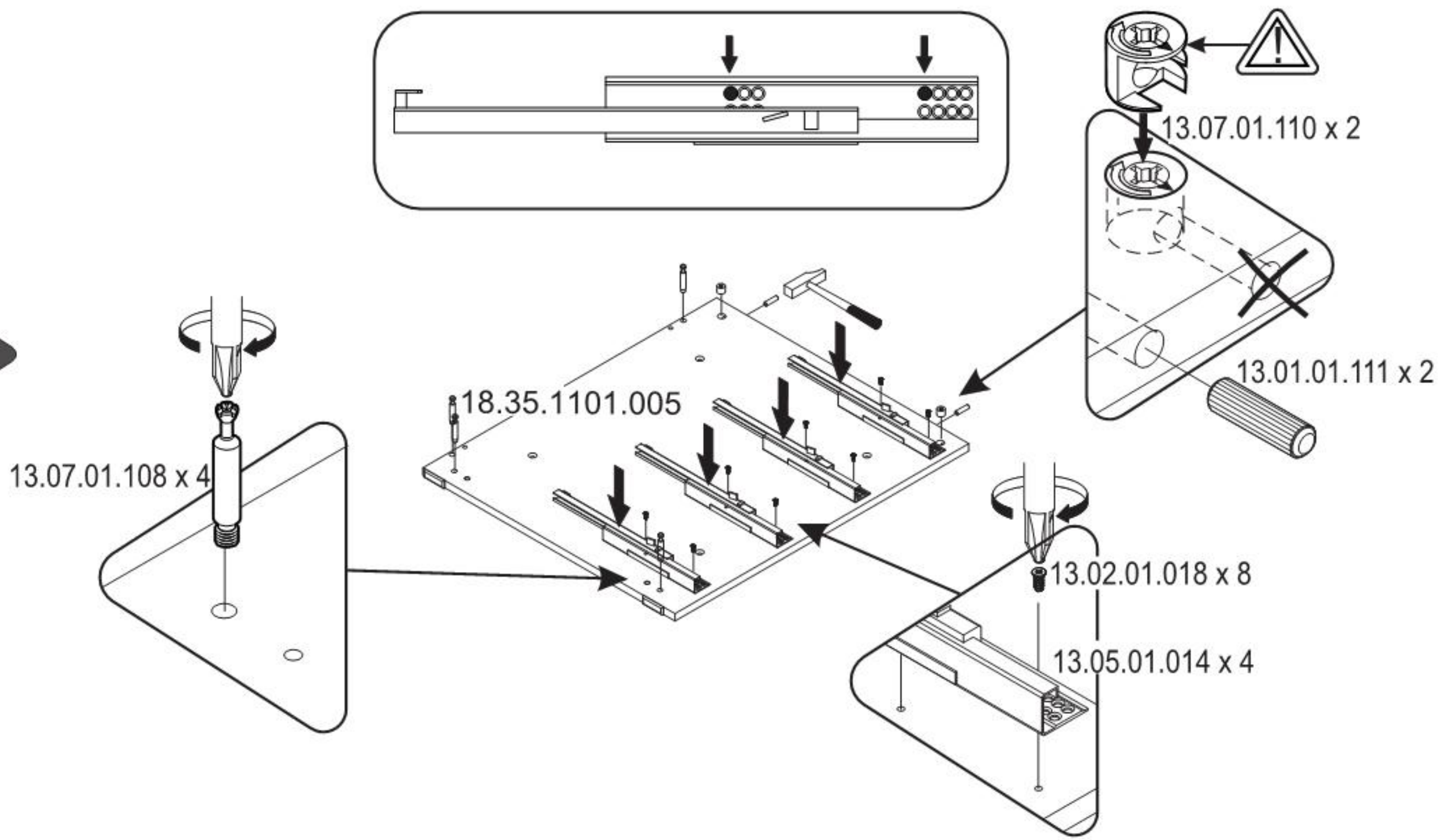


13.15.01.064 x 1

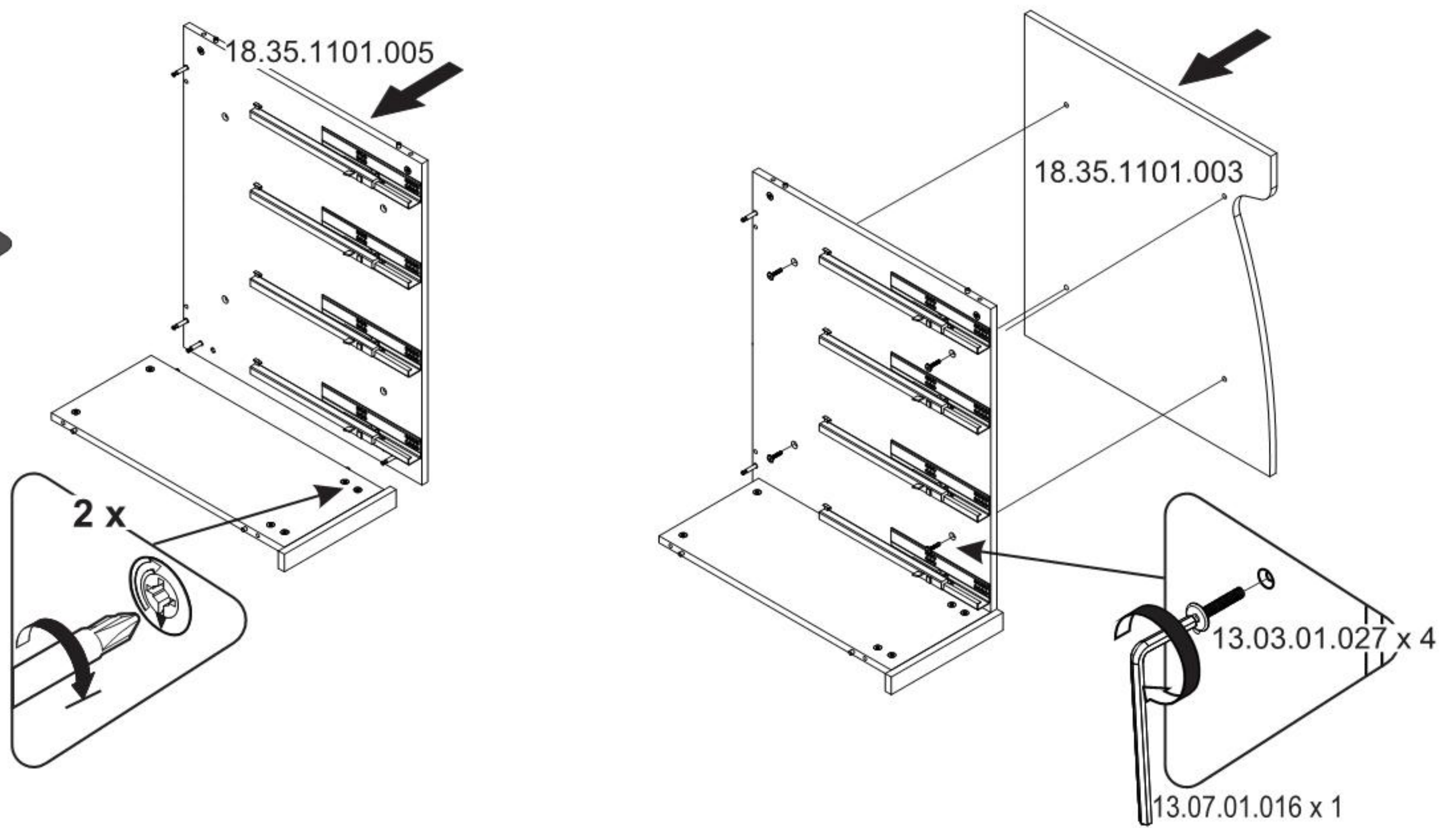




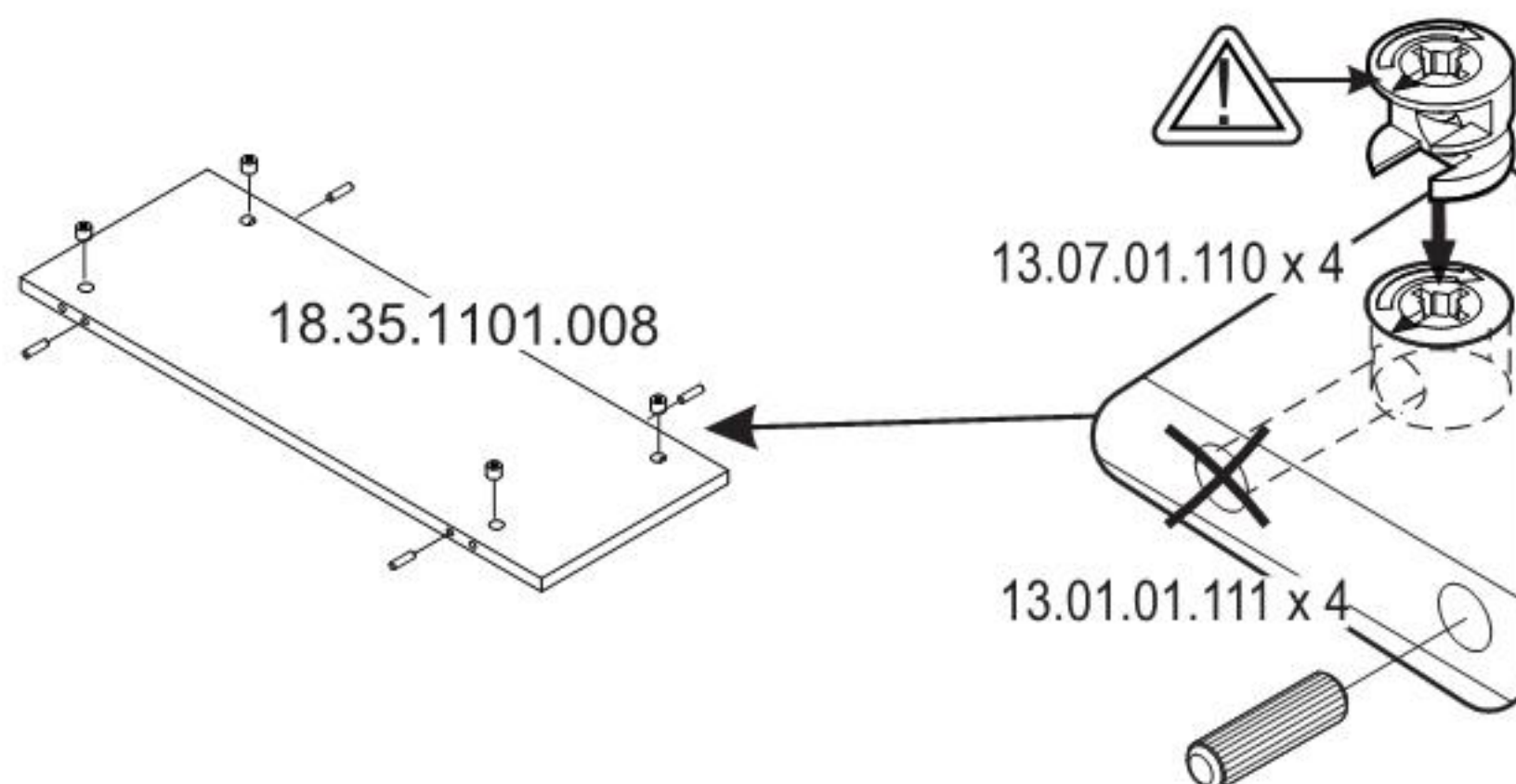
4



5

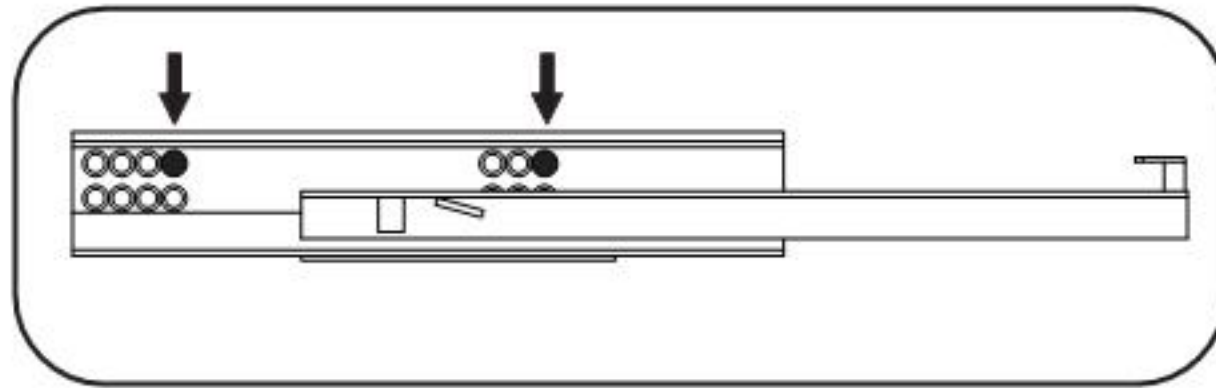
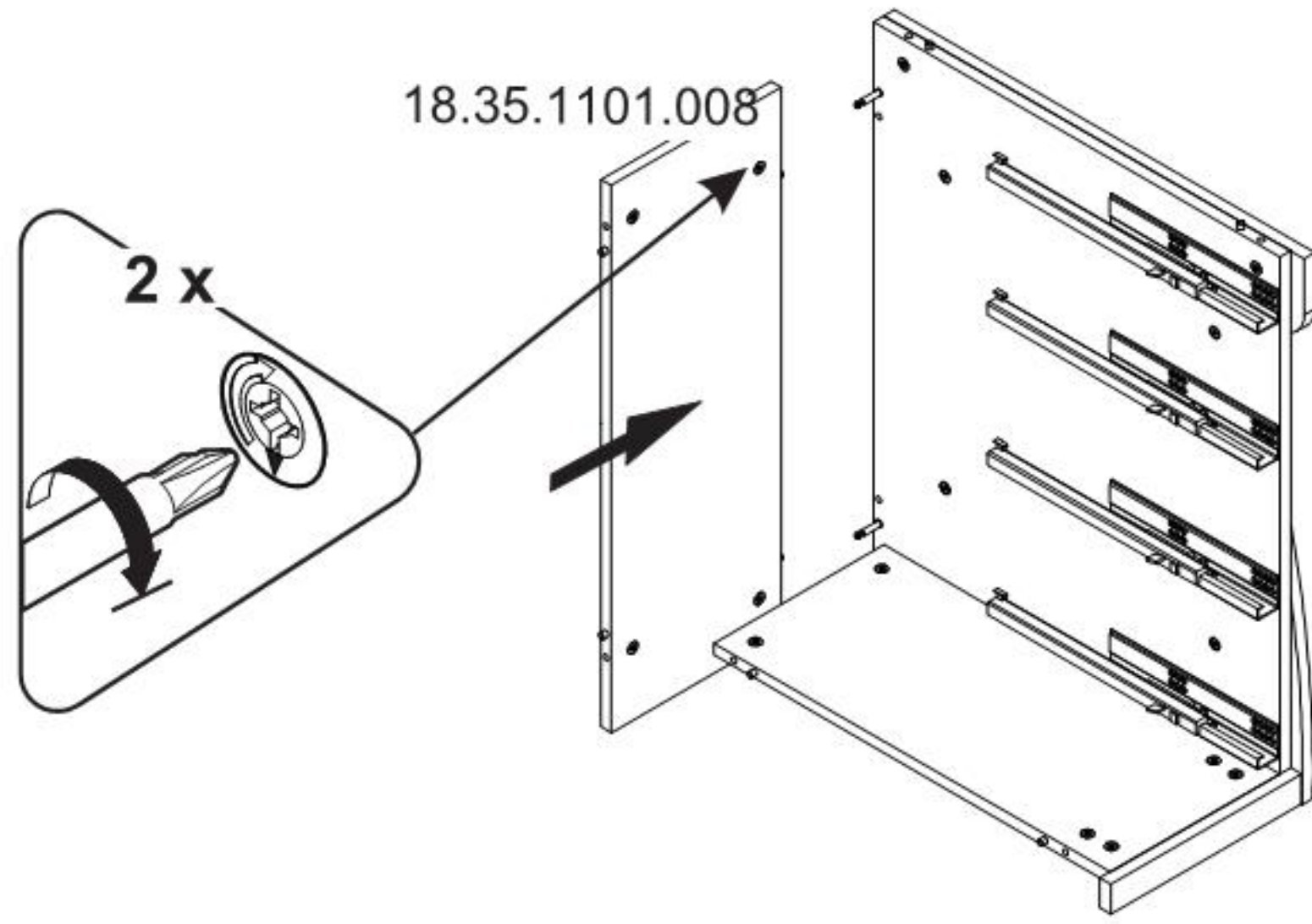


6

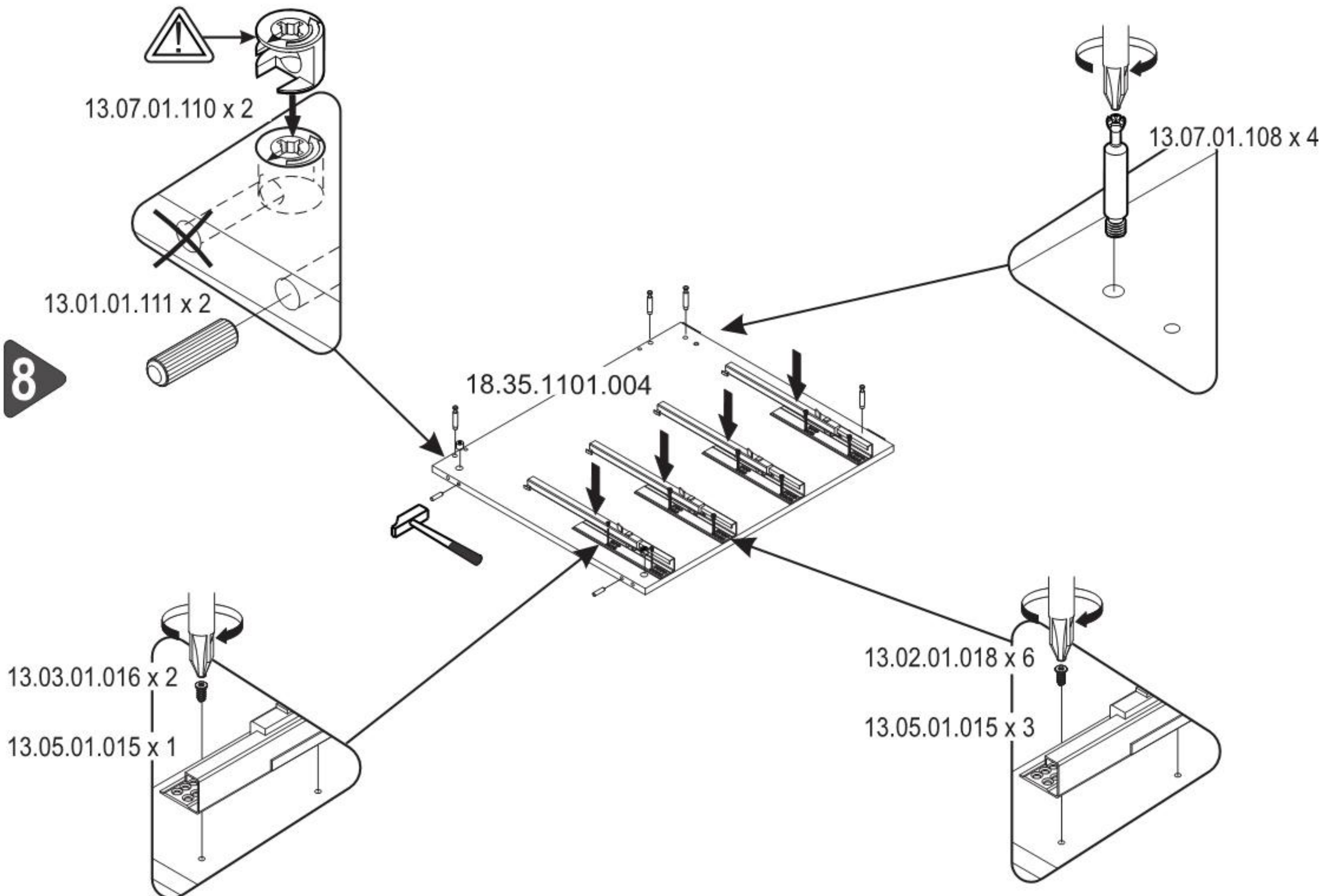




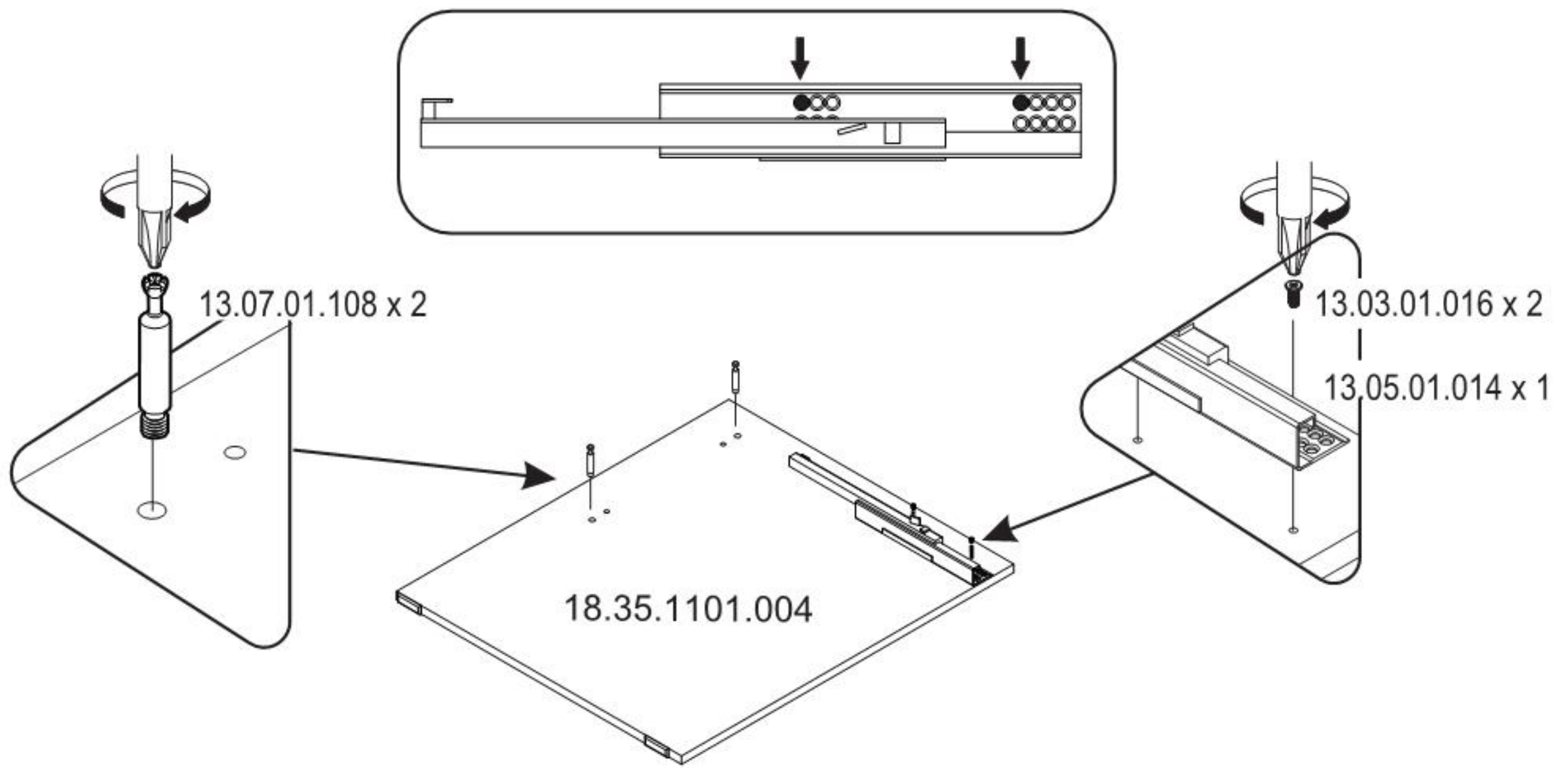
7



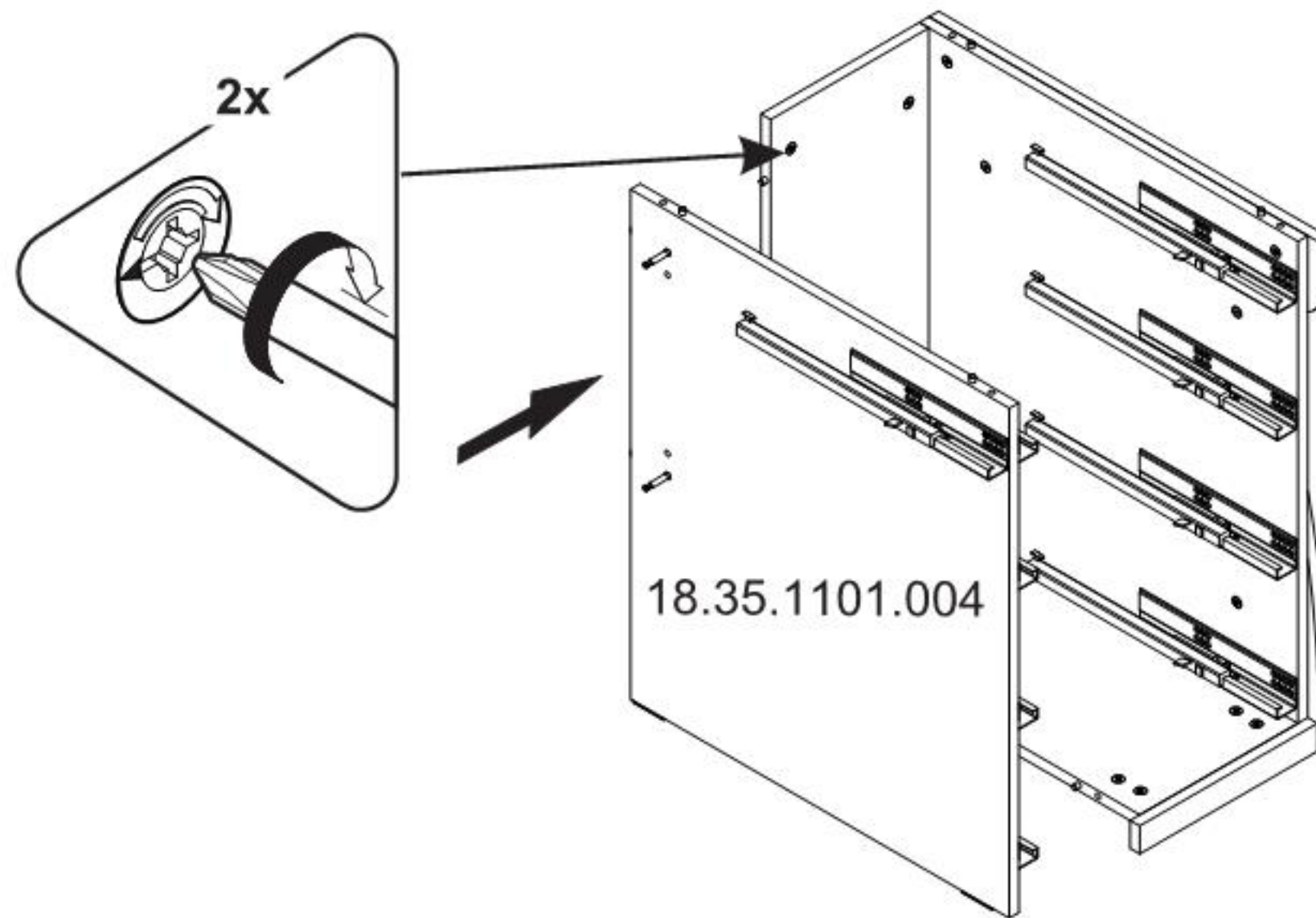
8



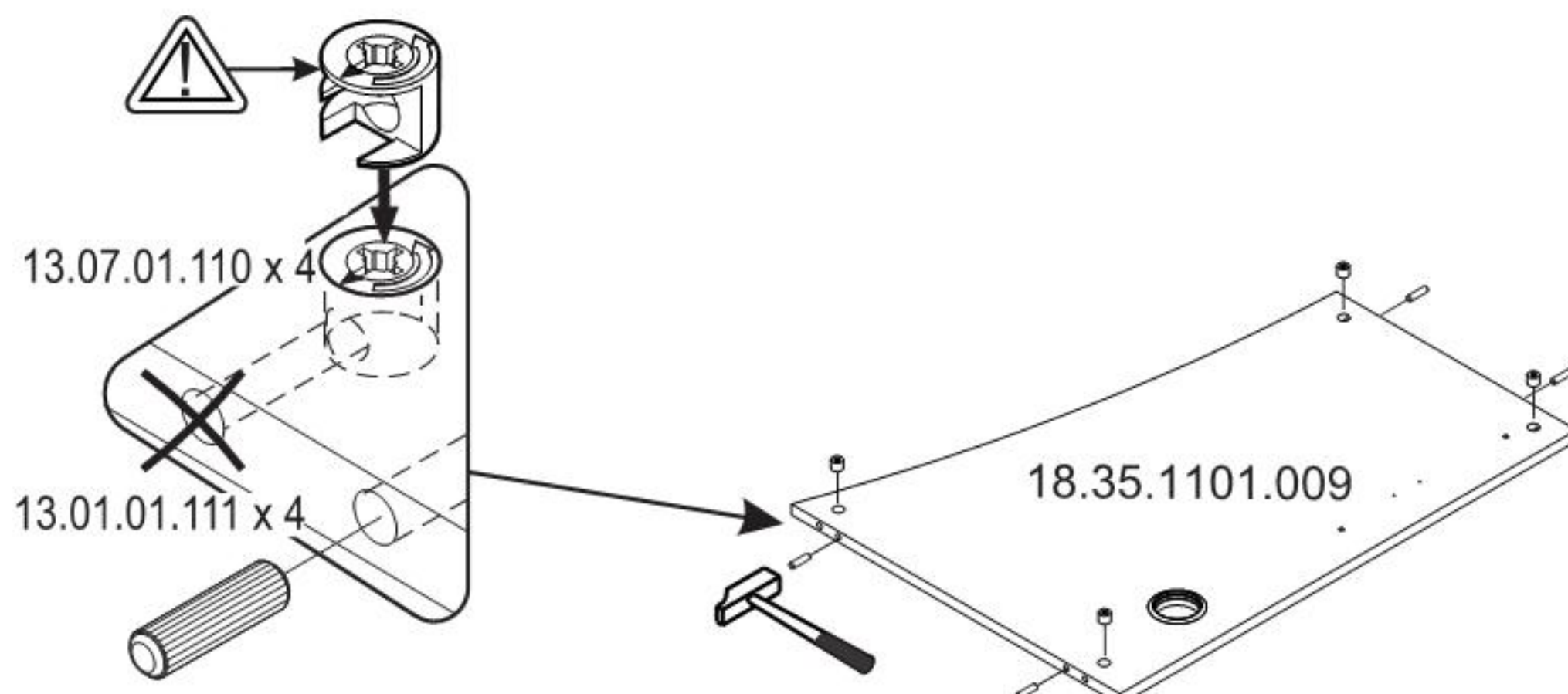
9



10

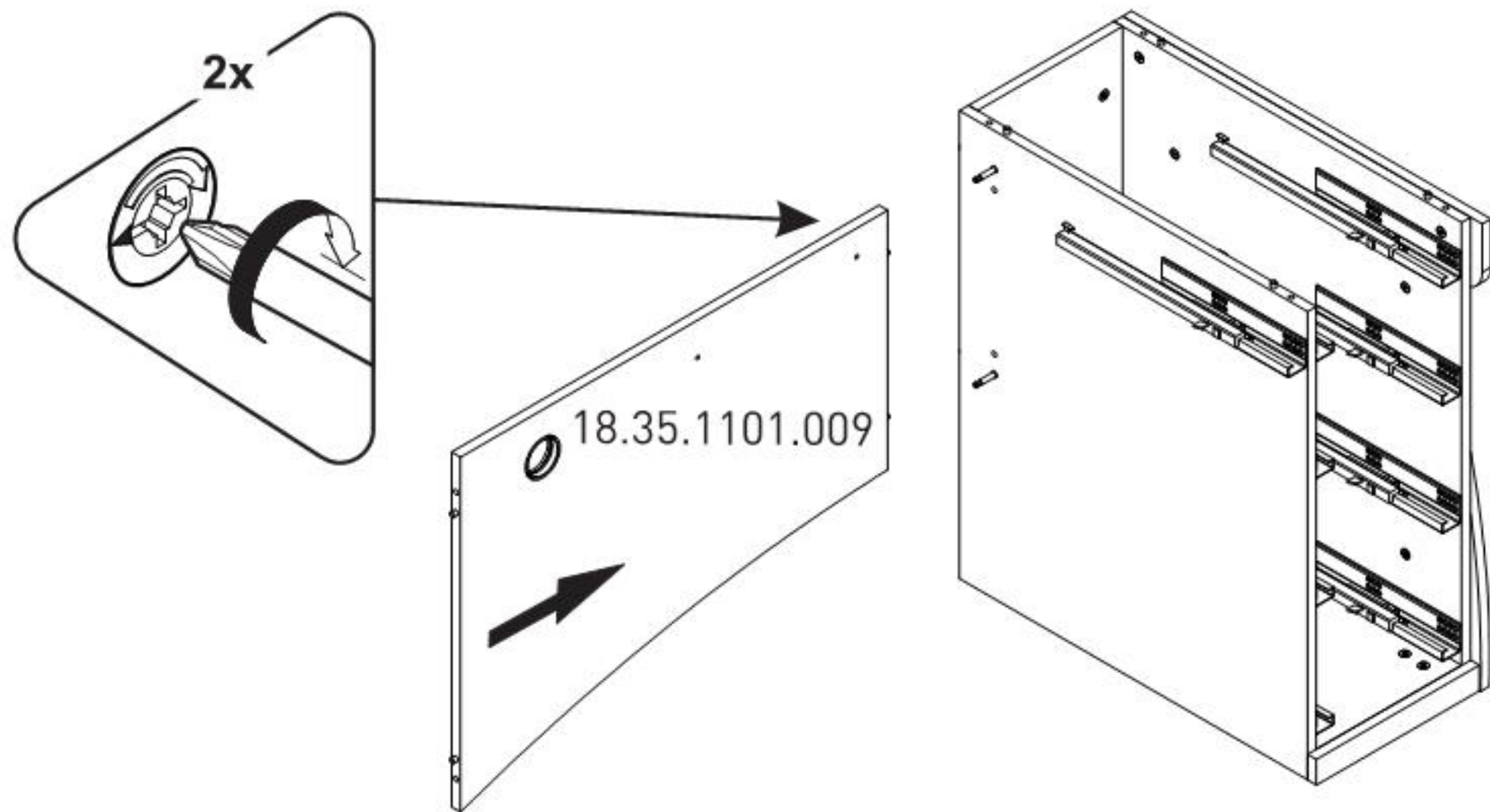


11

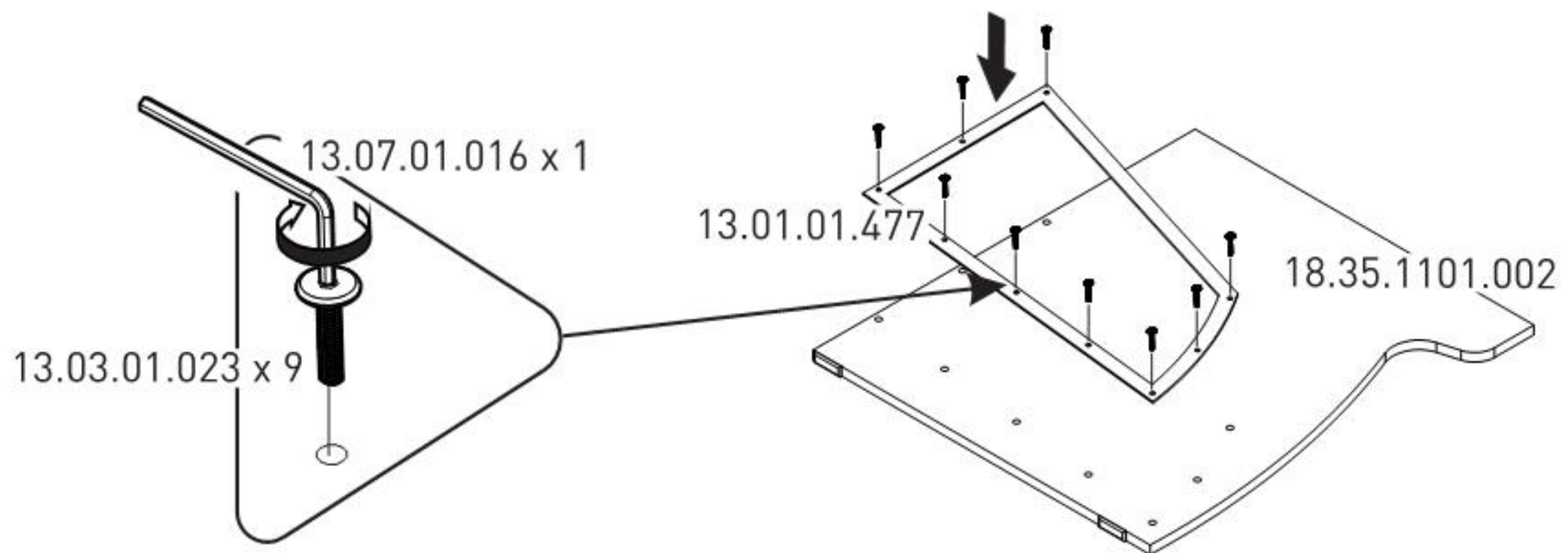




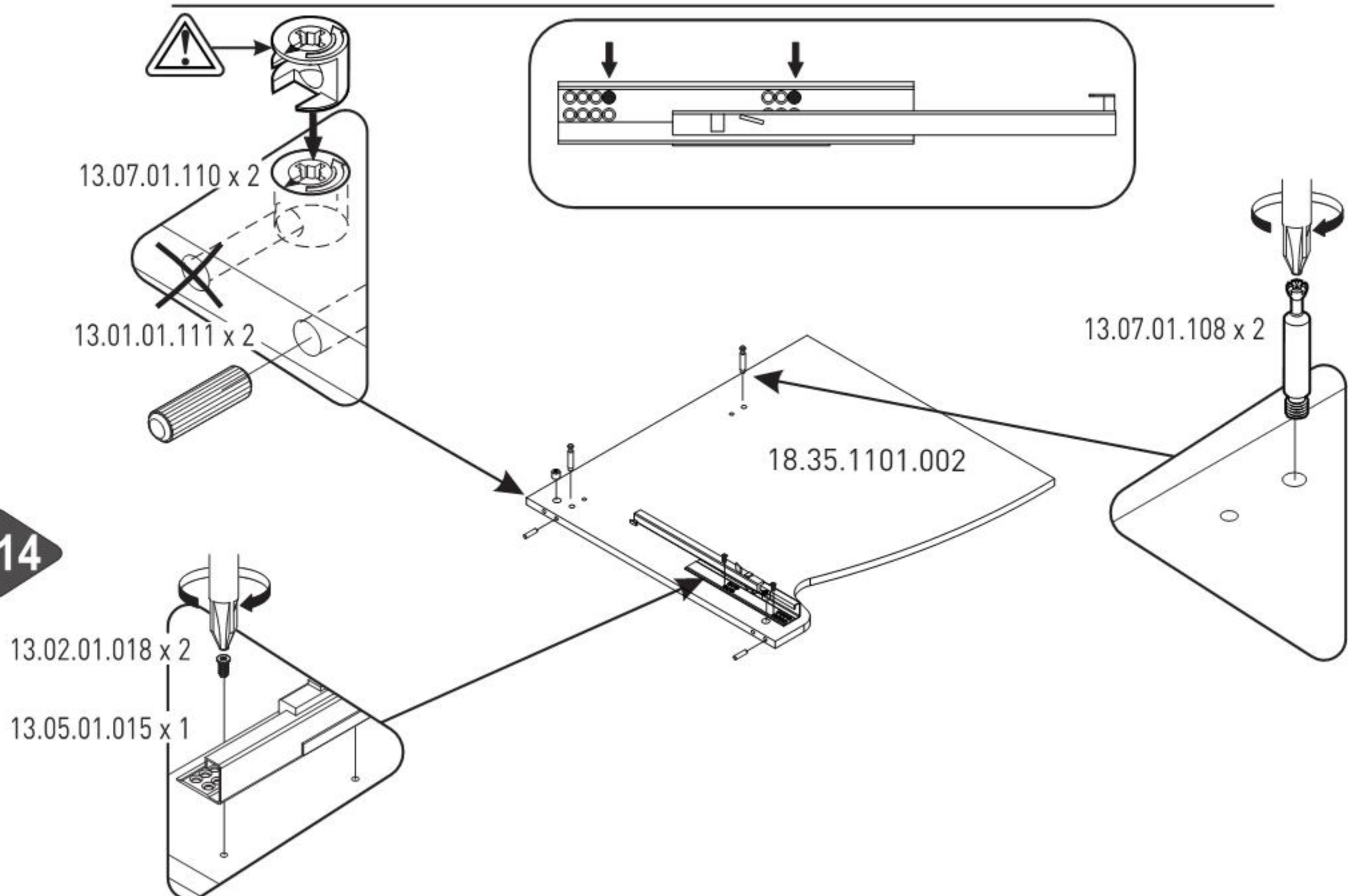
12



13

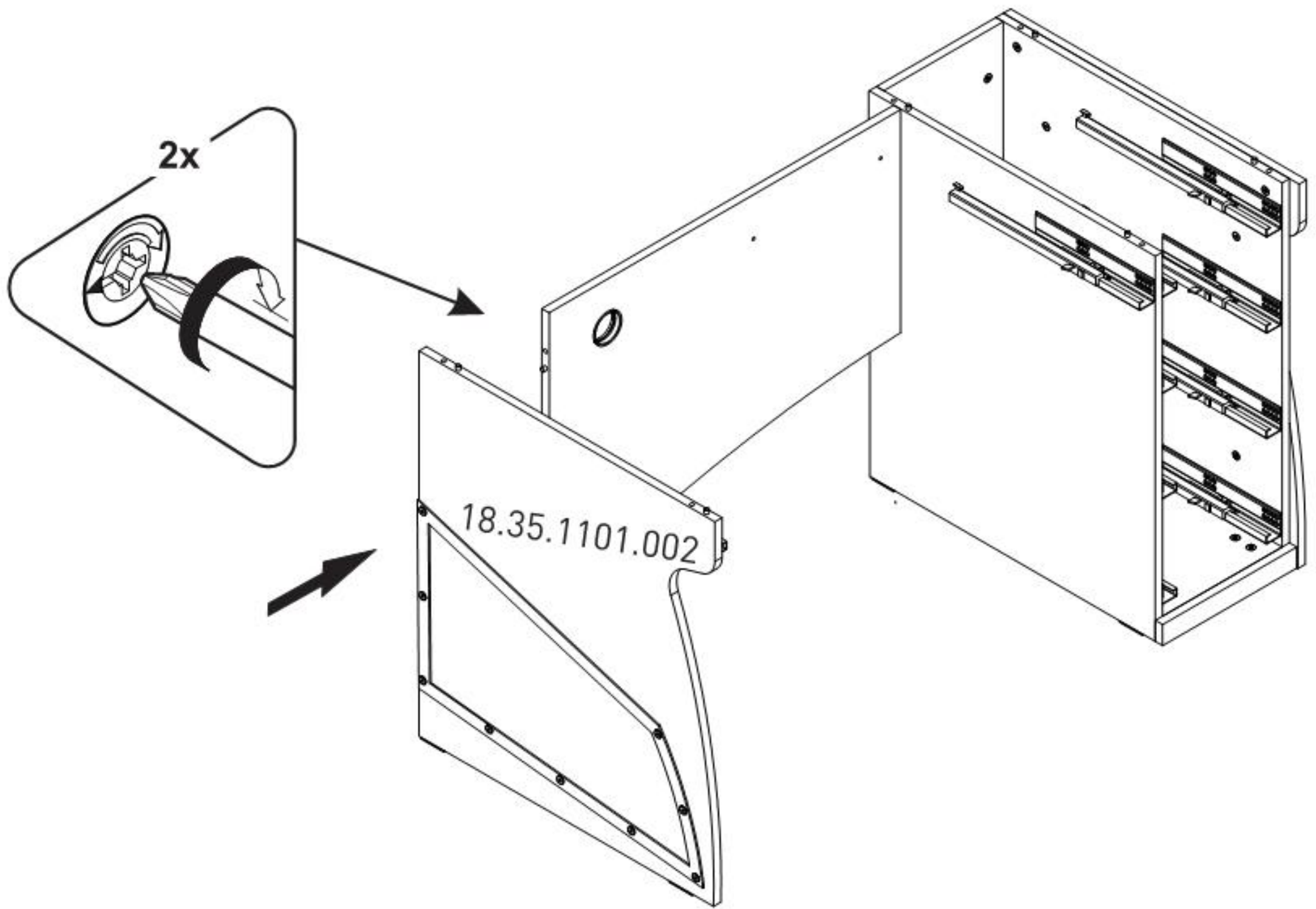


14

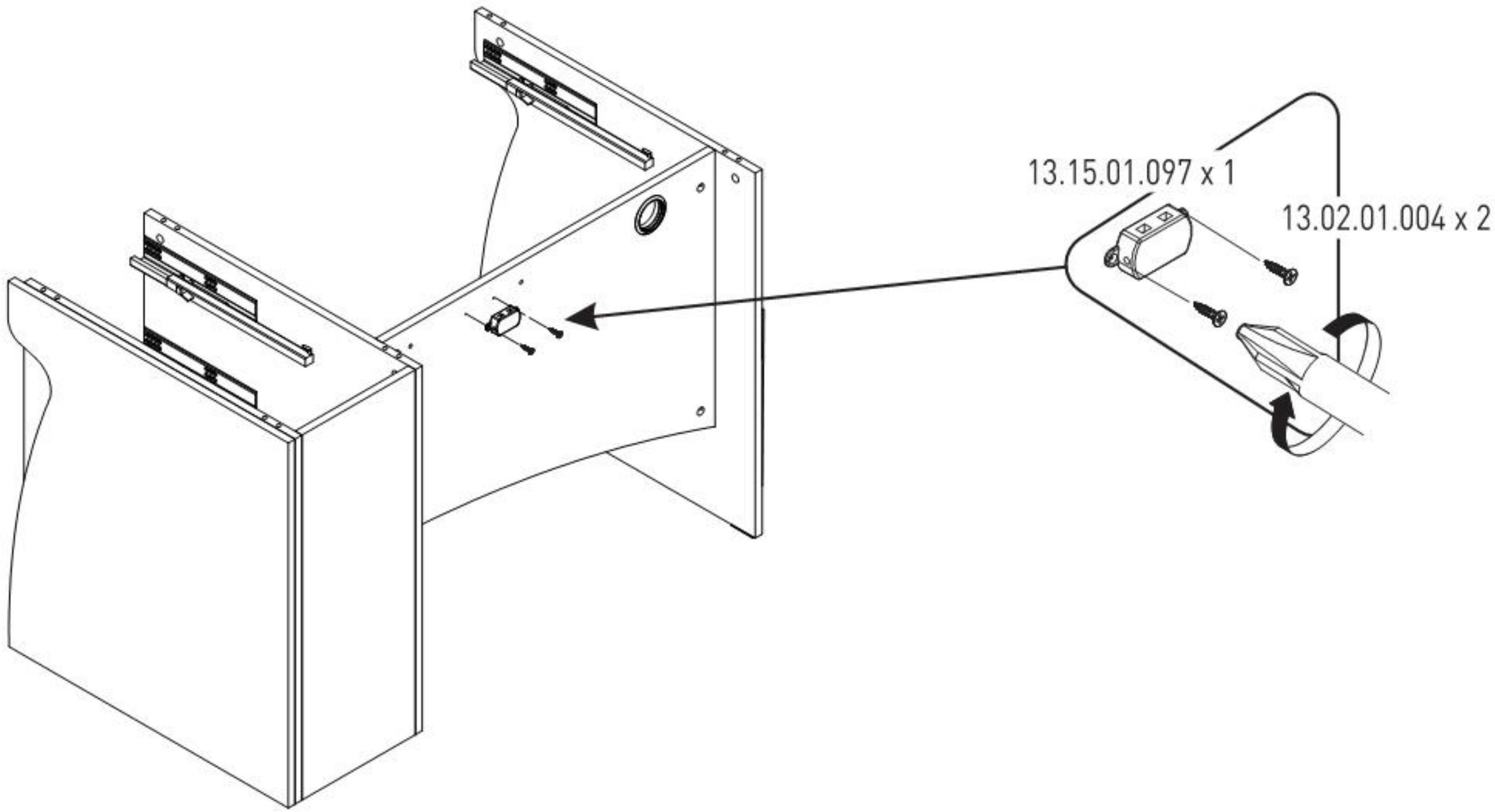




15

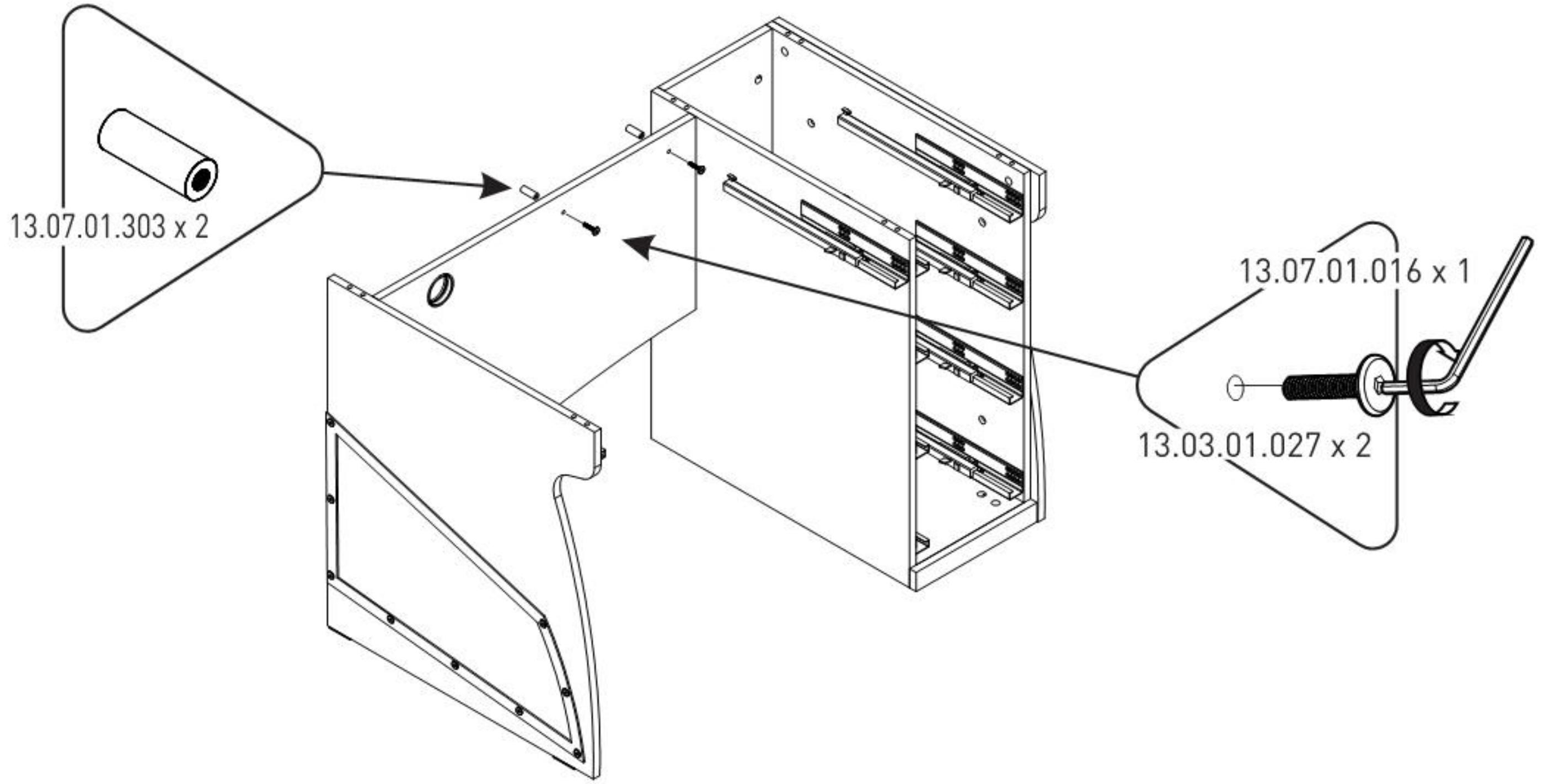


16

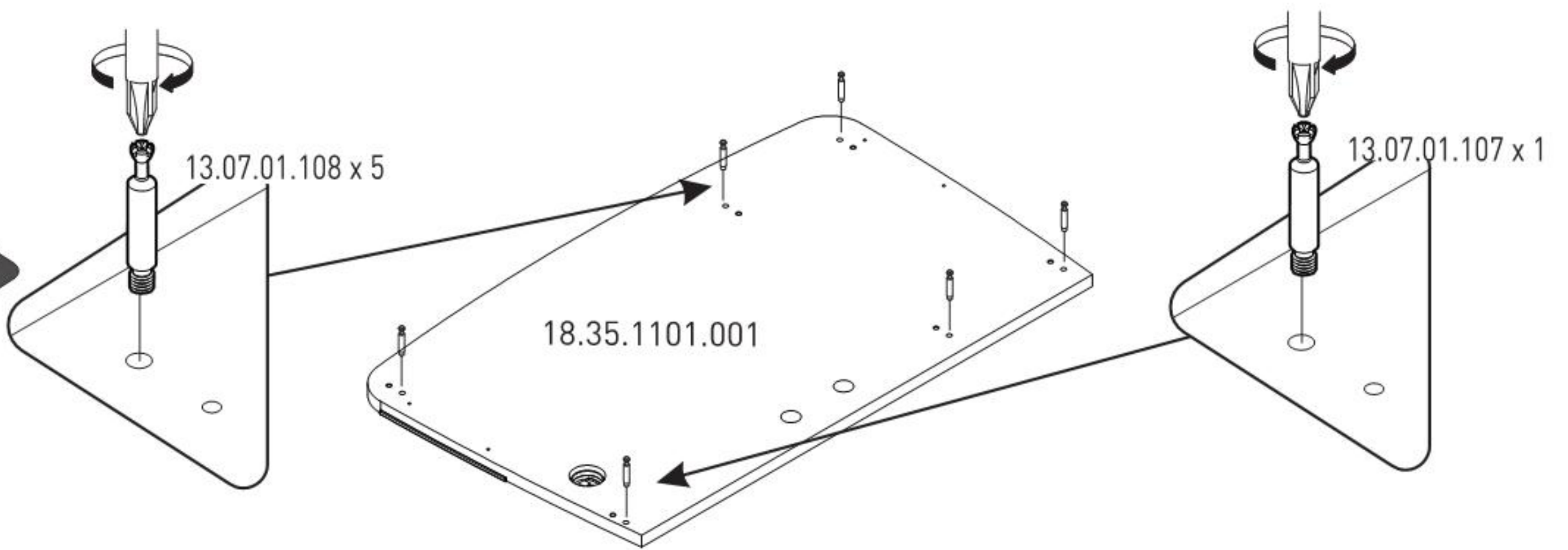




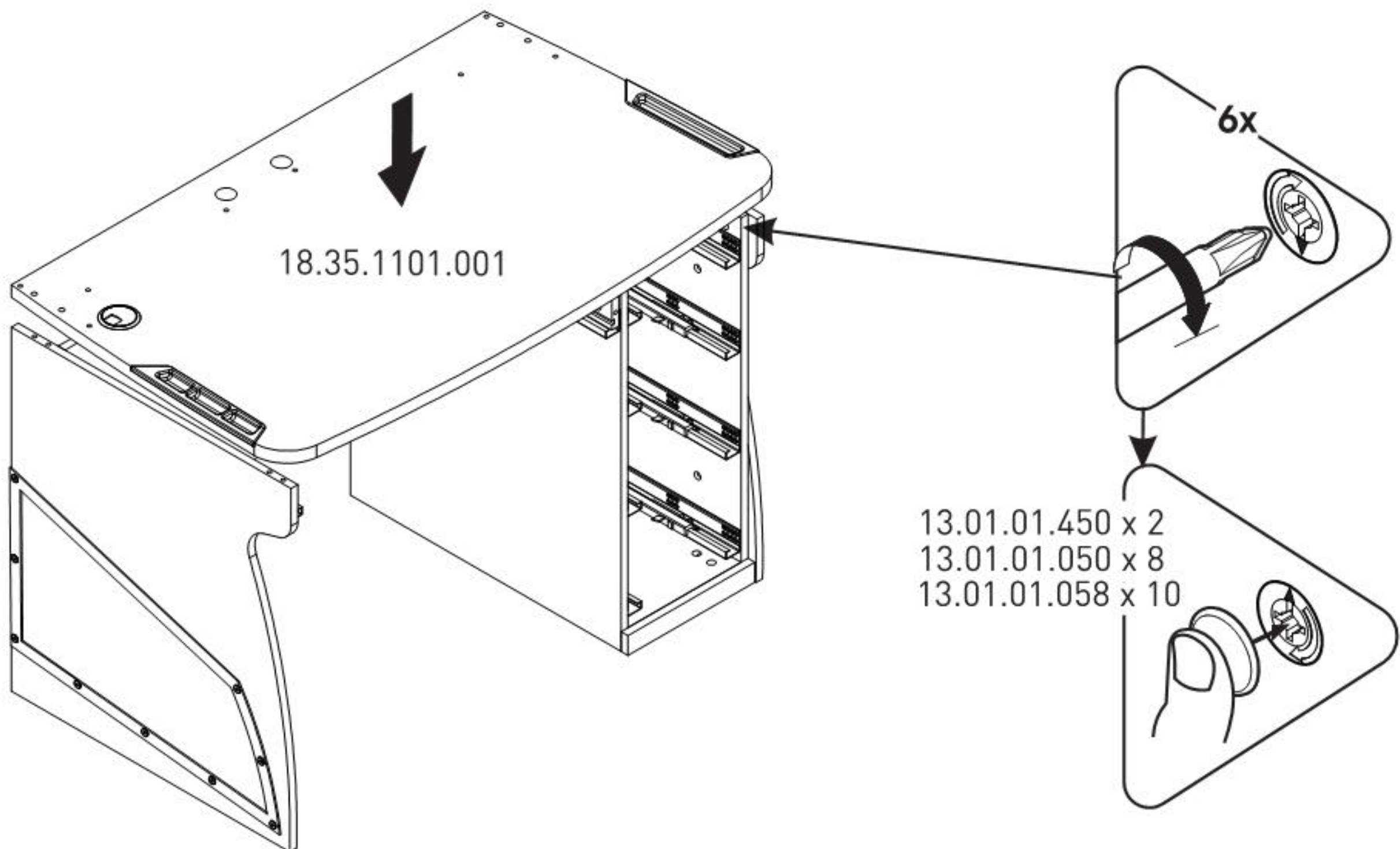
17



18

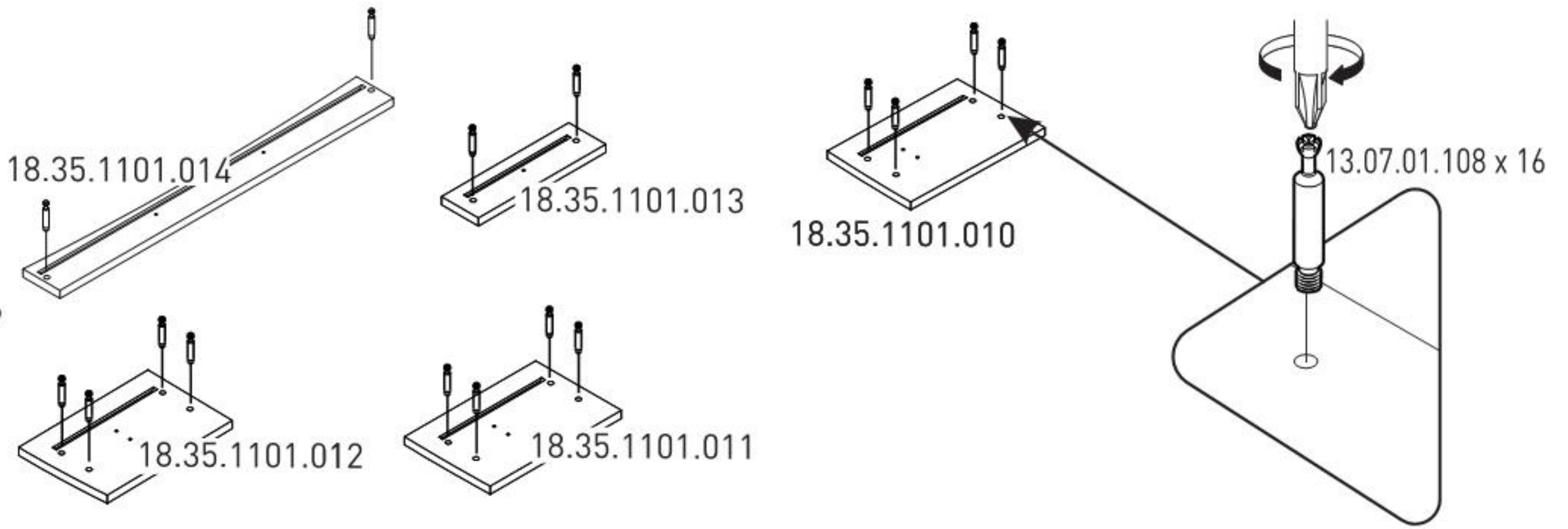


19

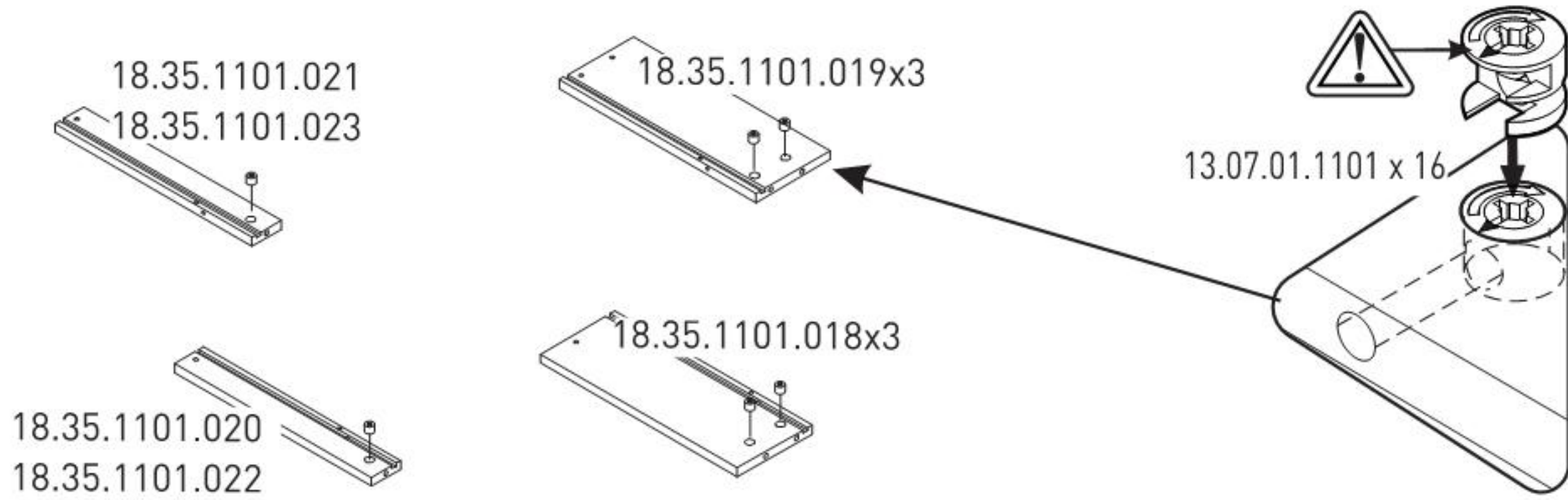




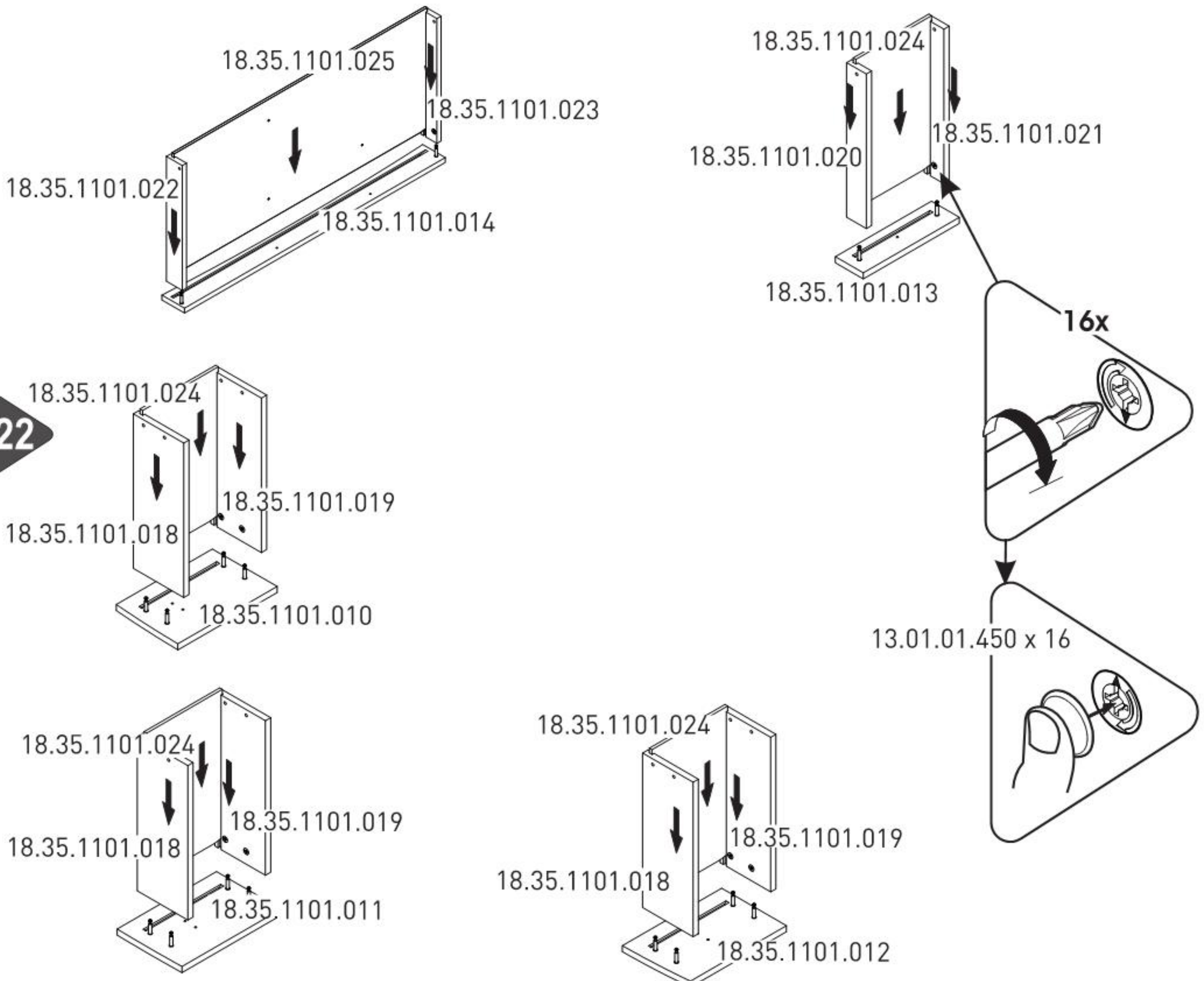
20



21

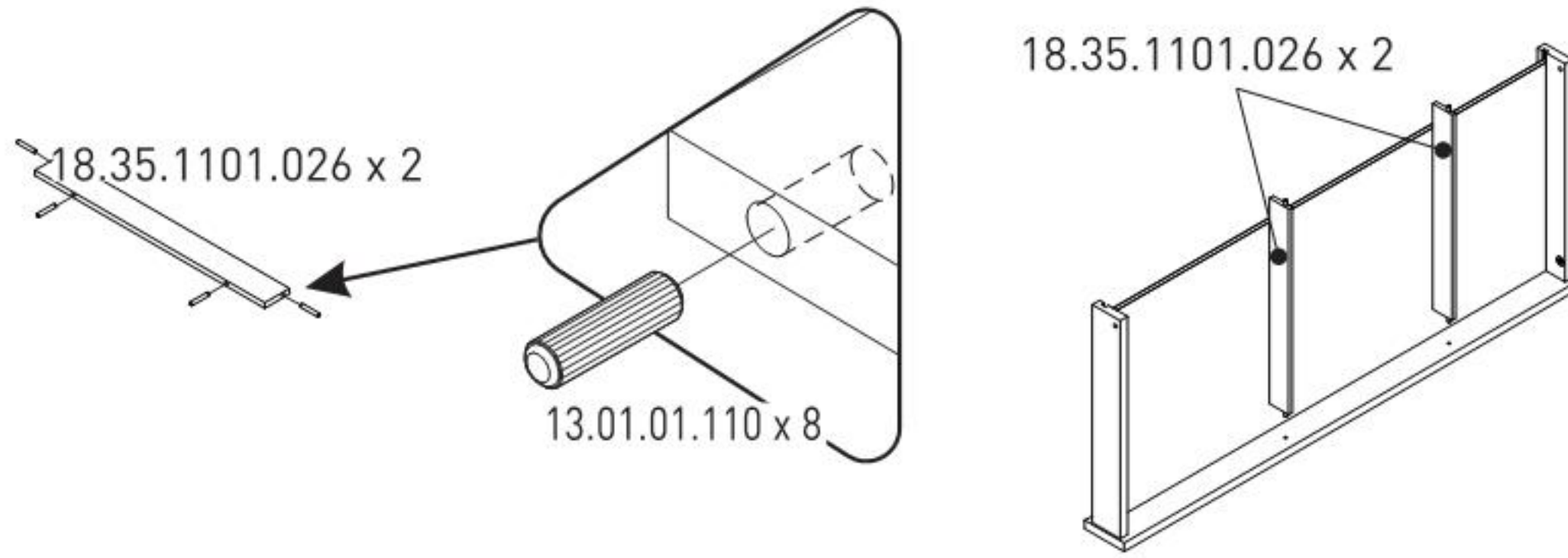


22

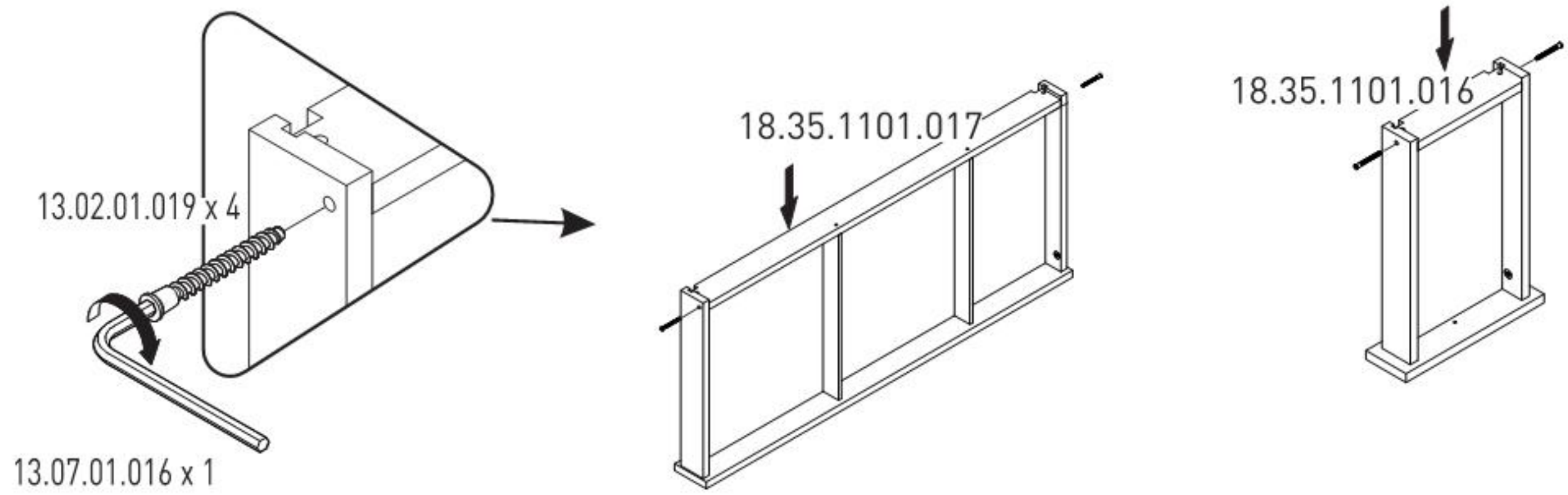




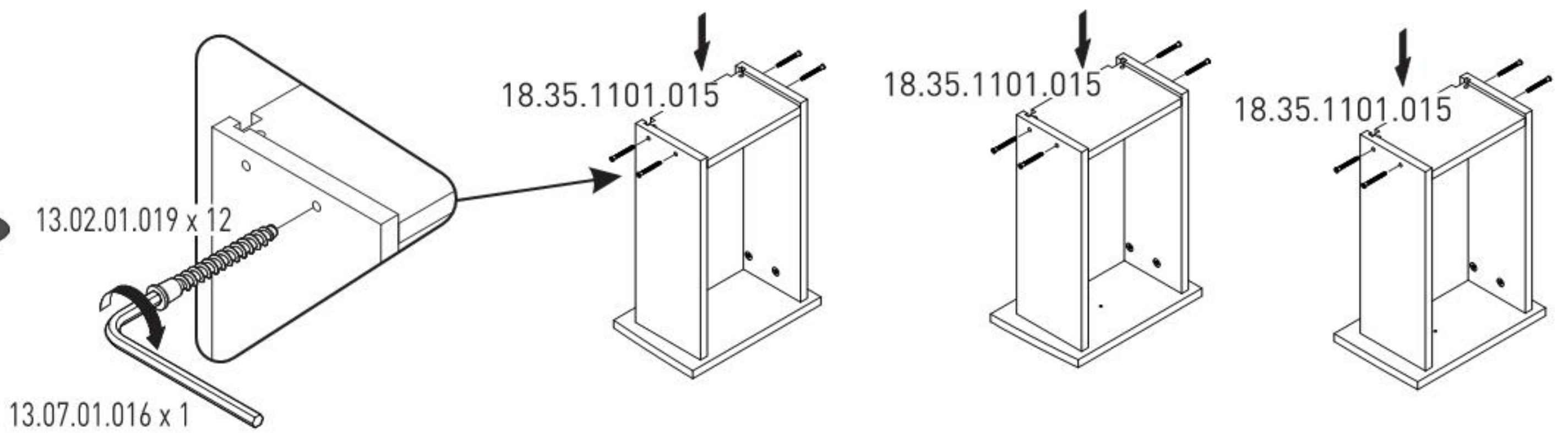
23



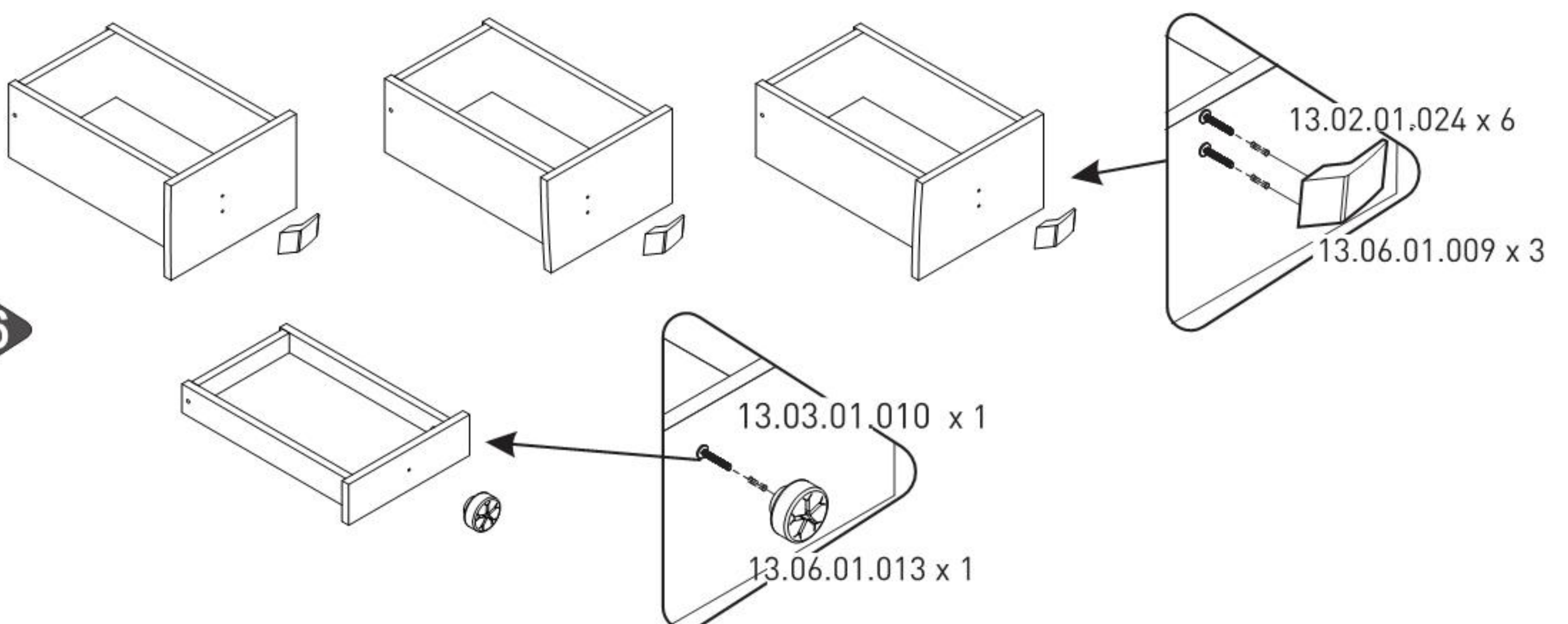
24



25

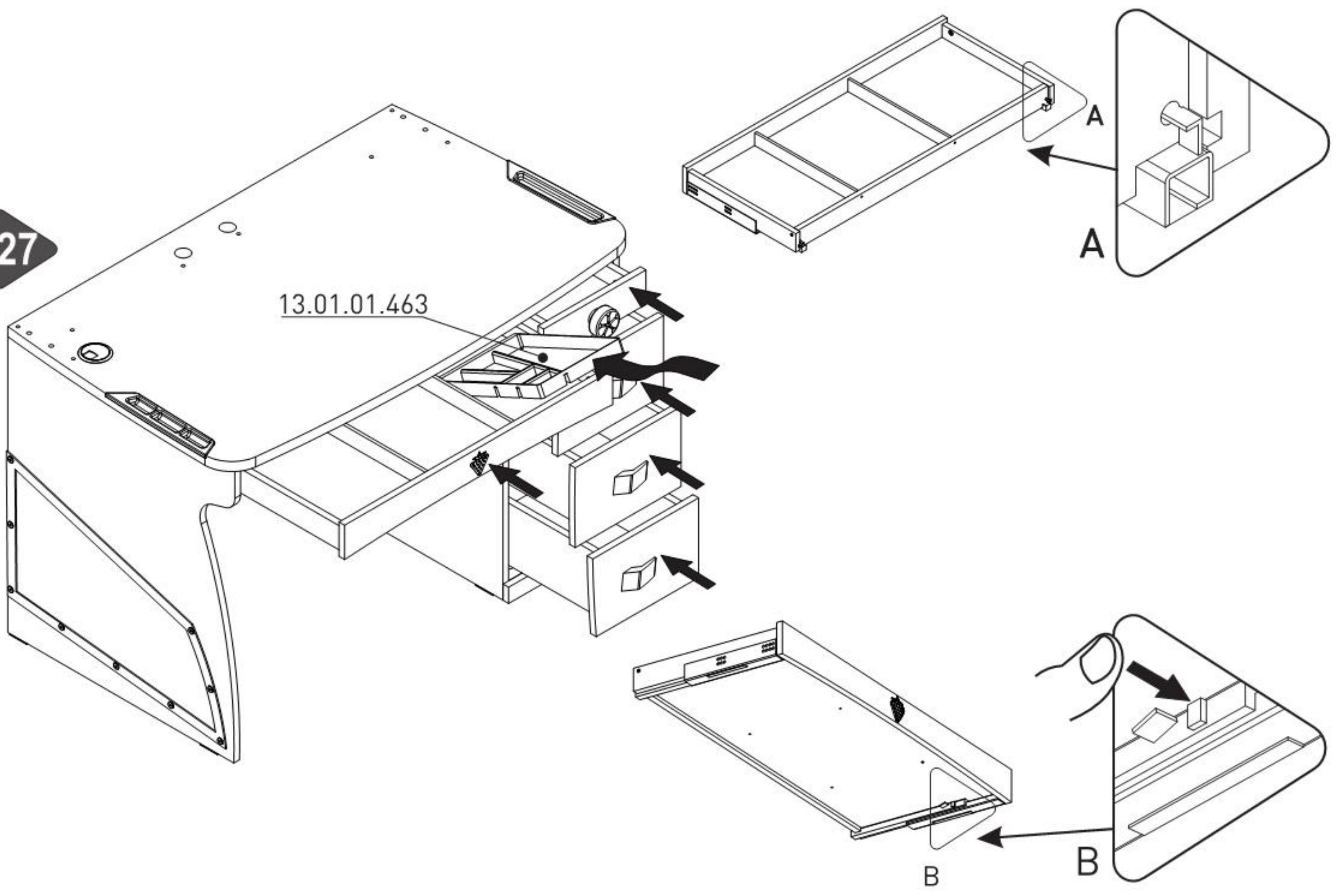


26

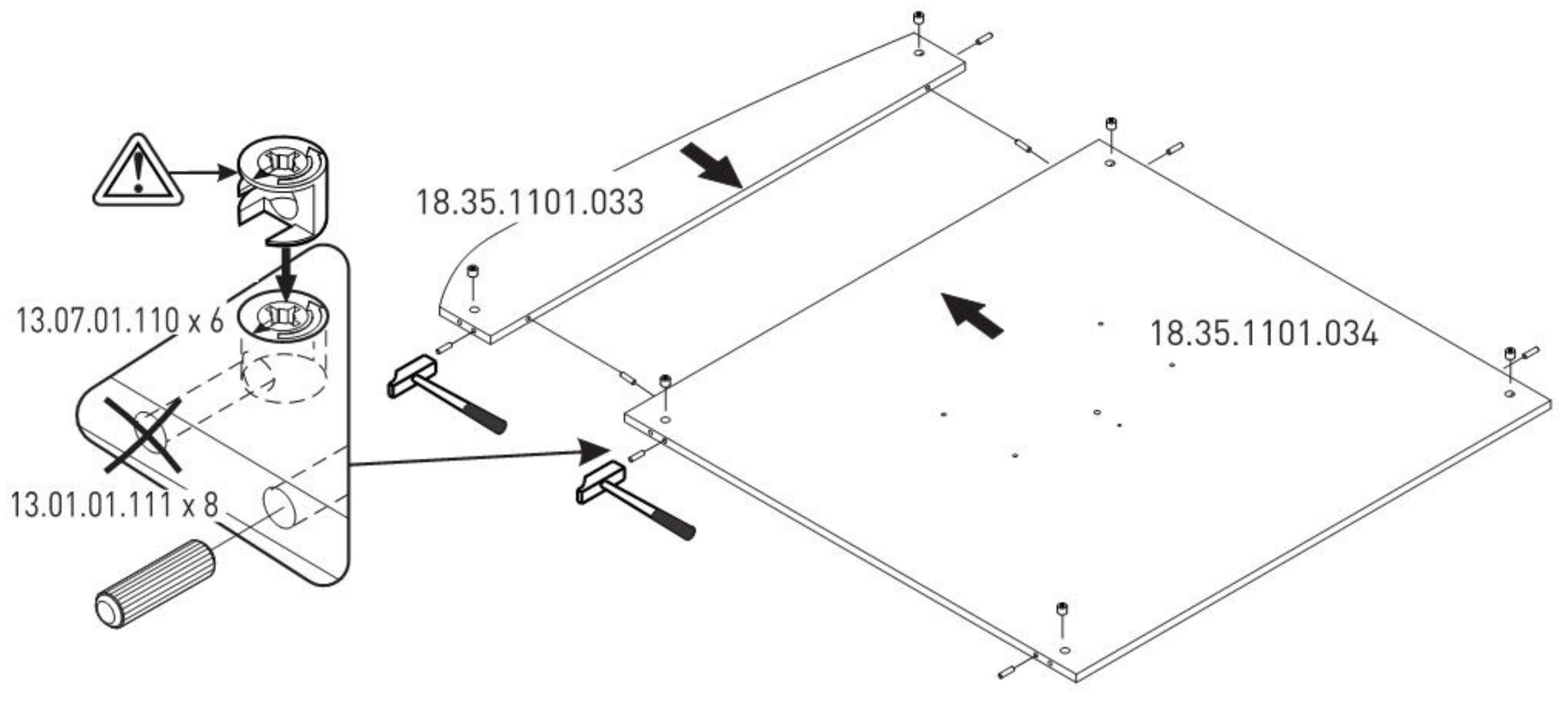




27

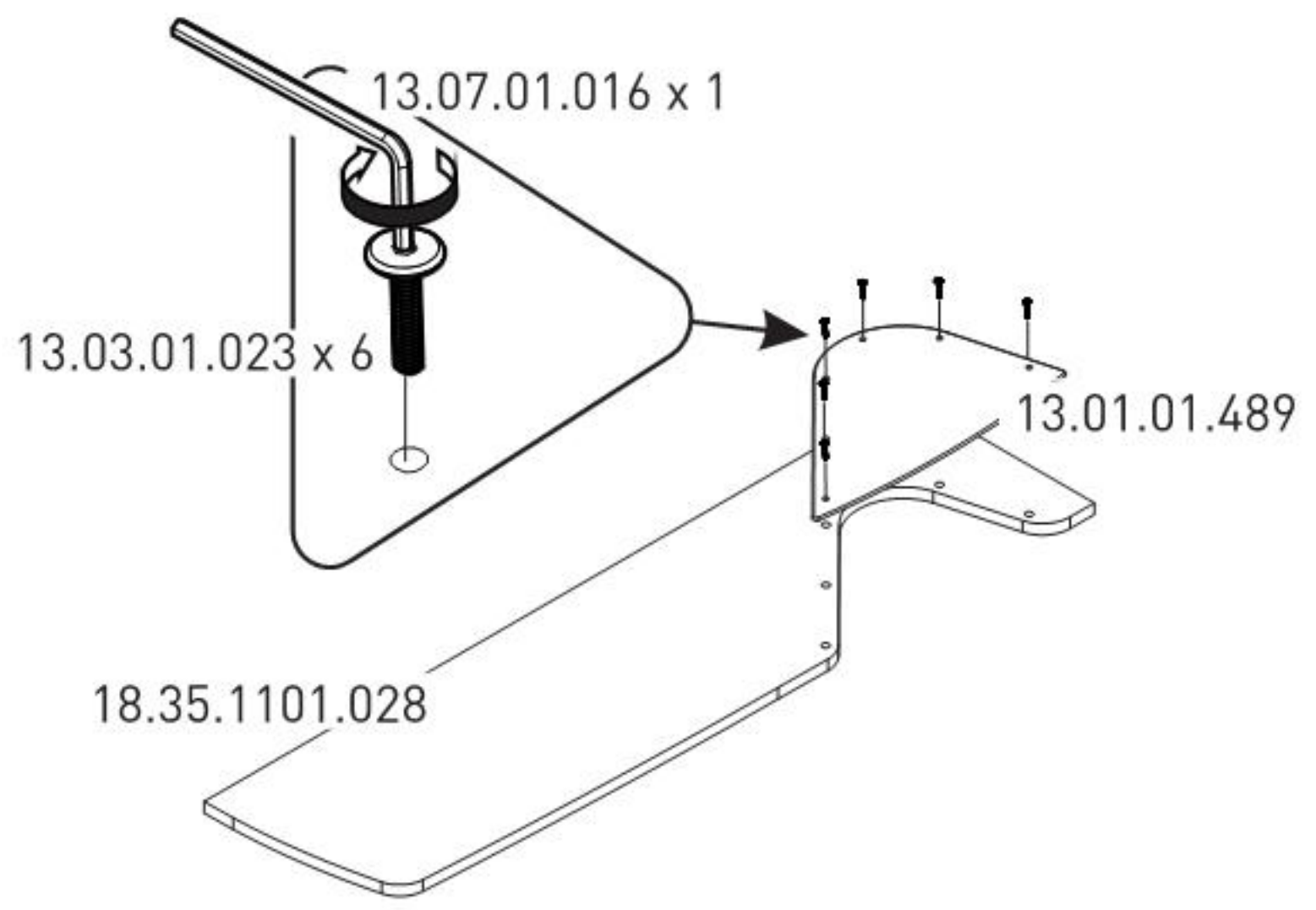


28

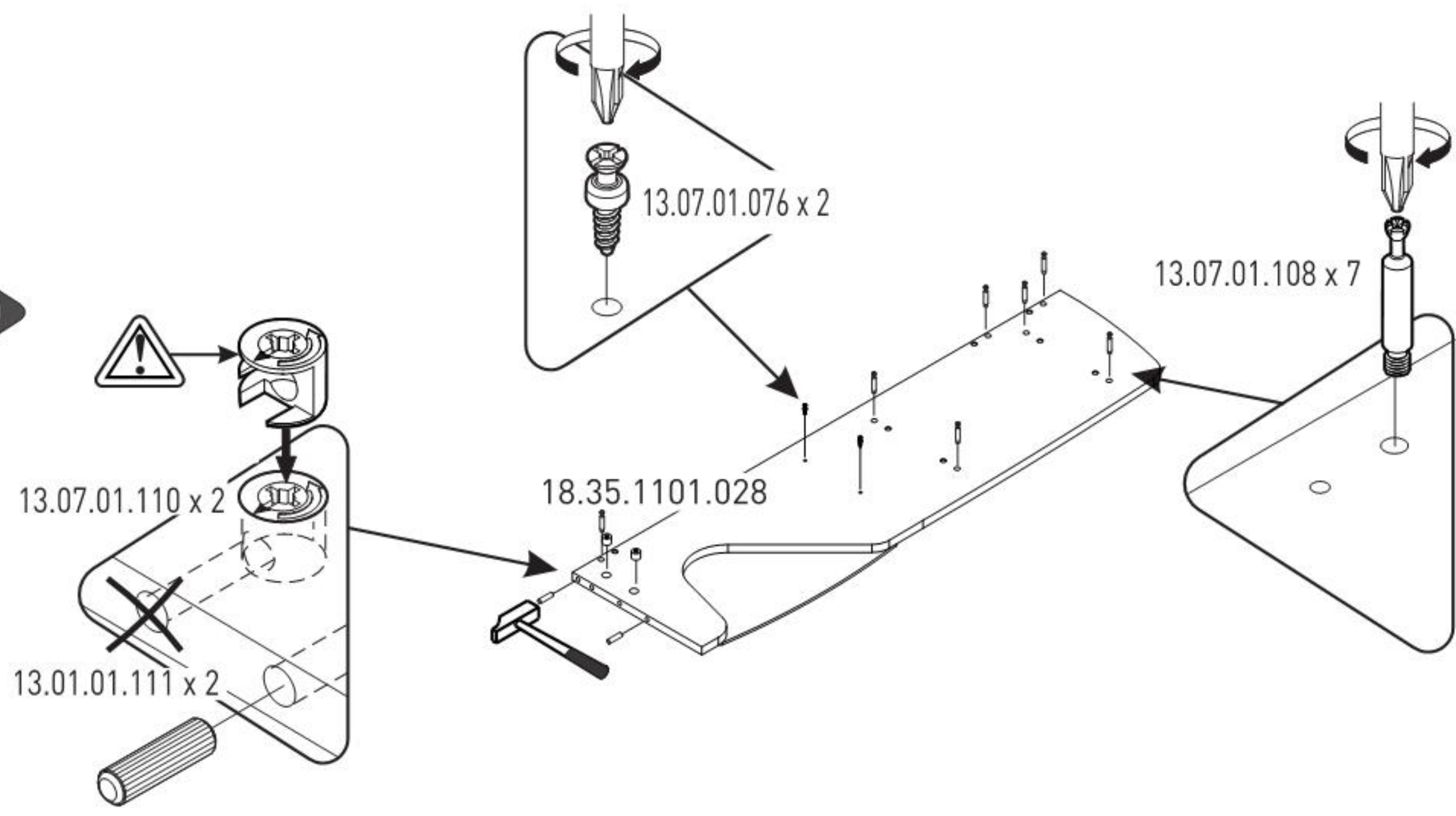




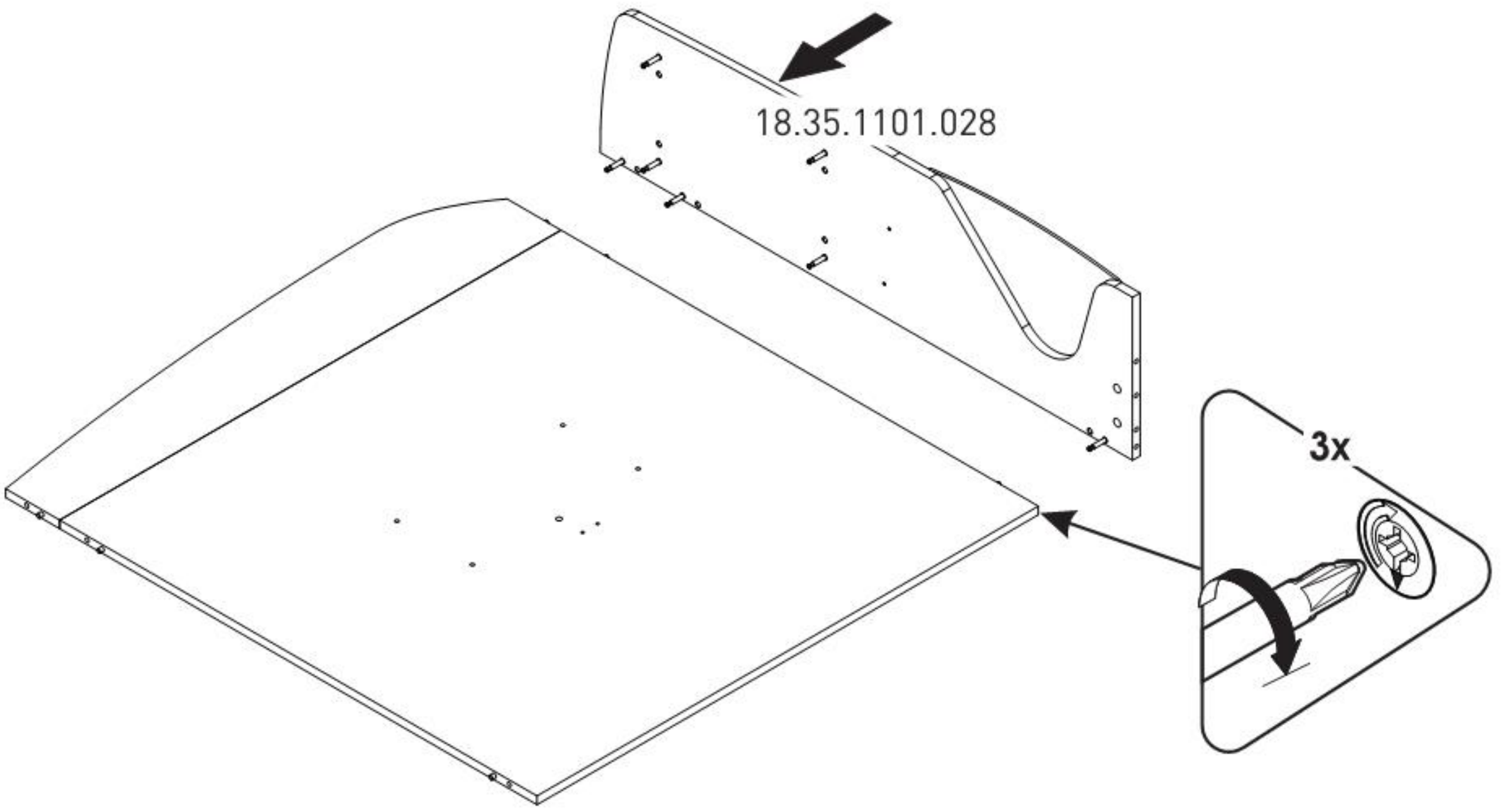
29



30

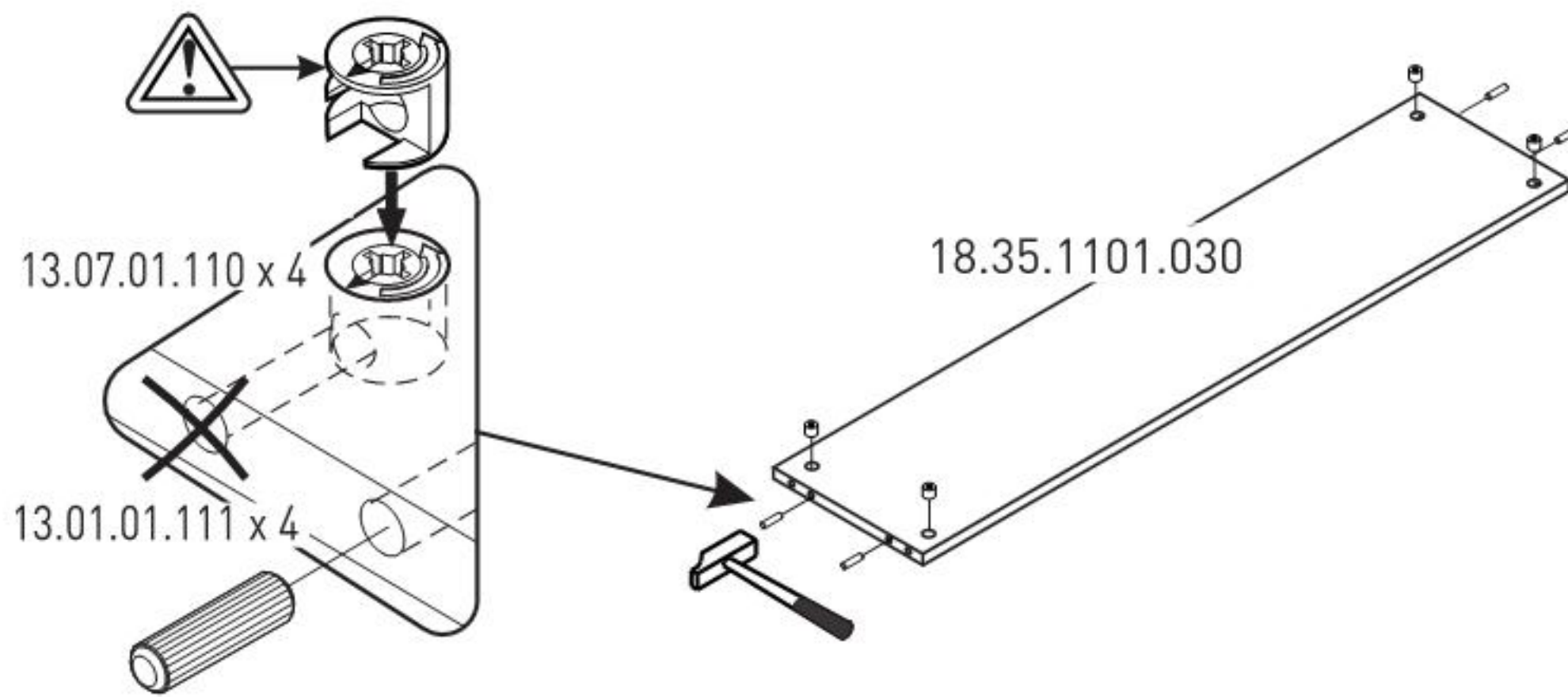


31

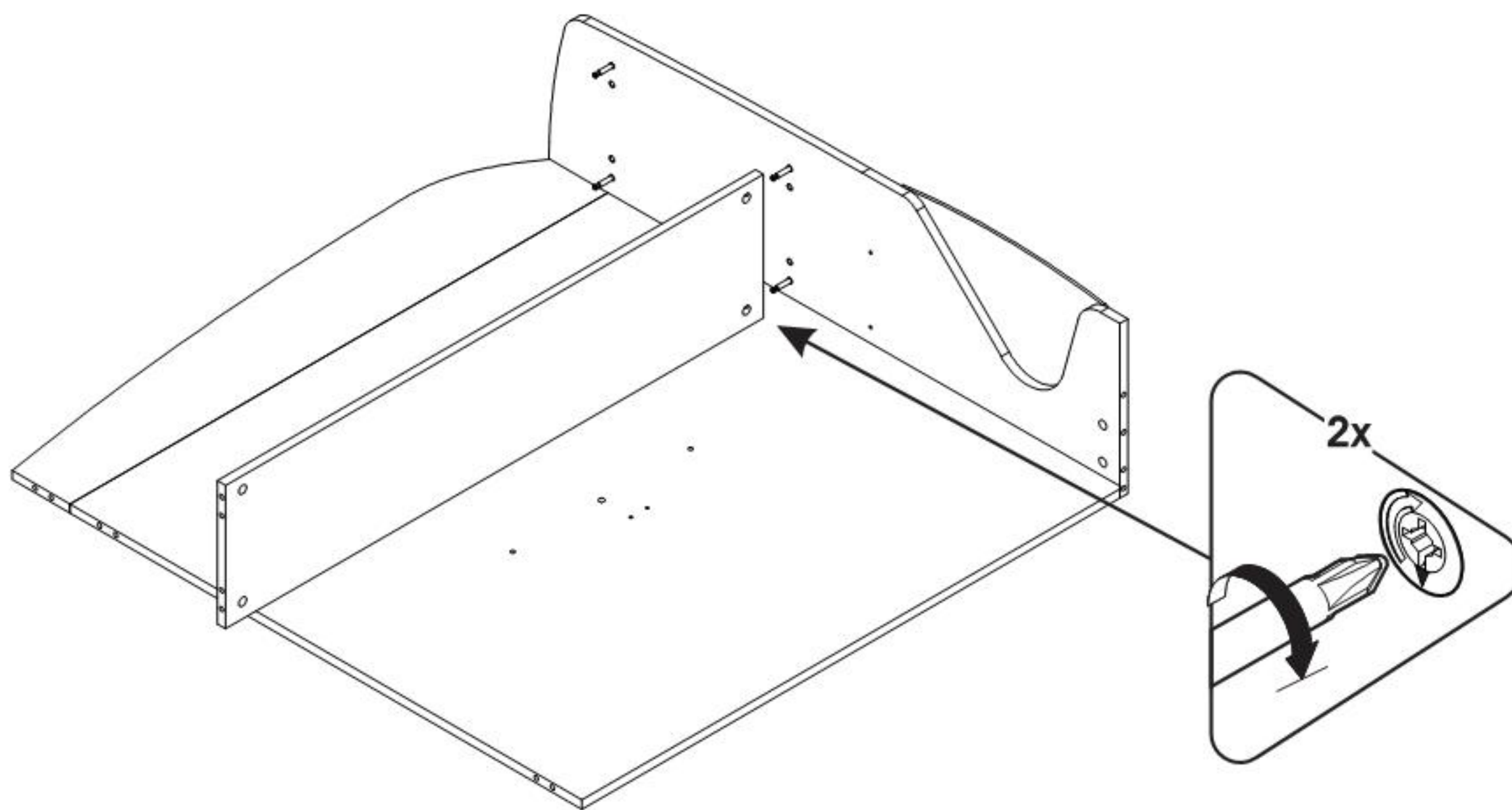




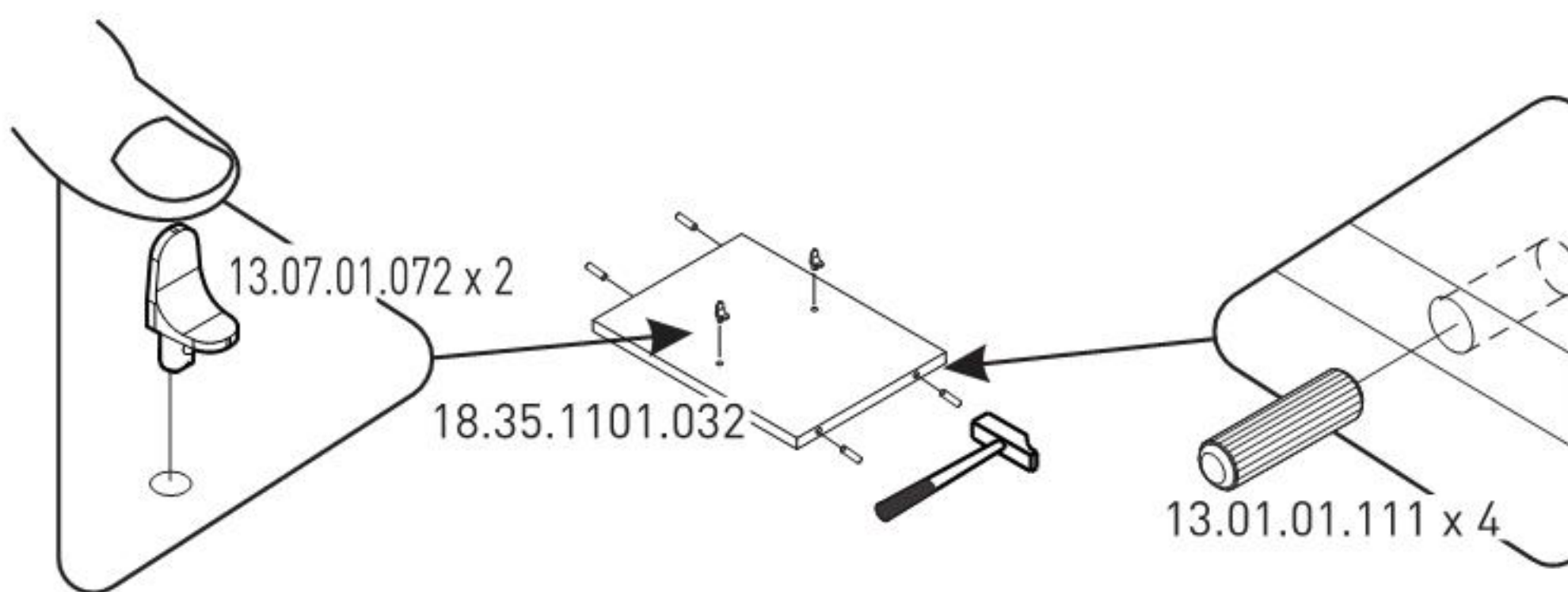
32



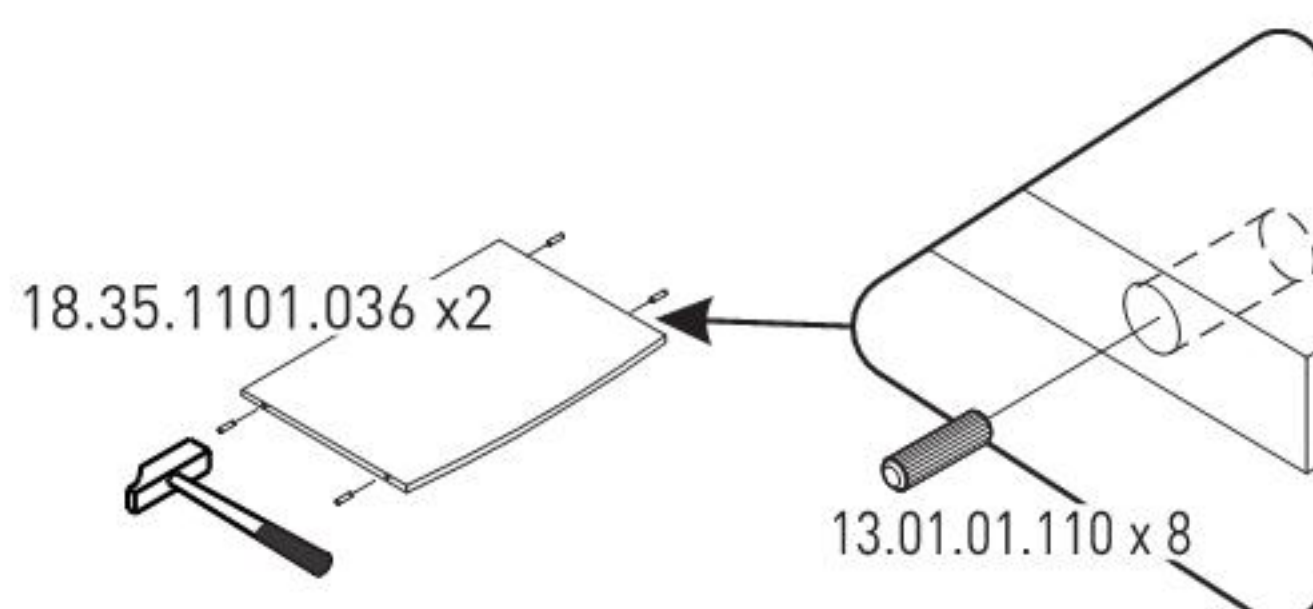
33



34

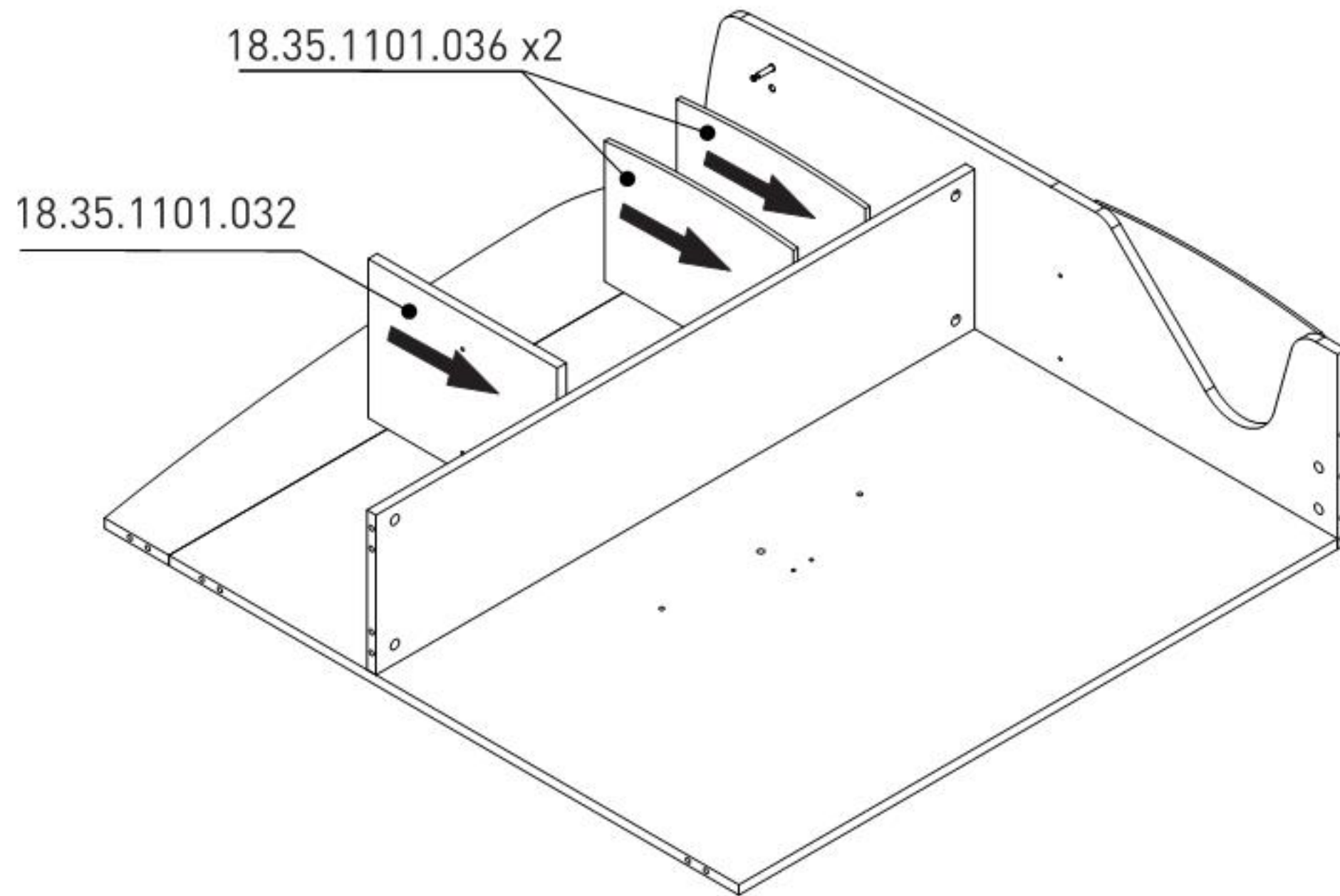


35

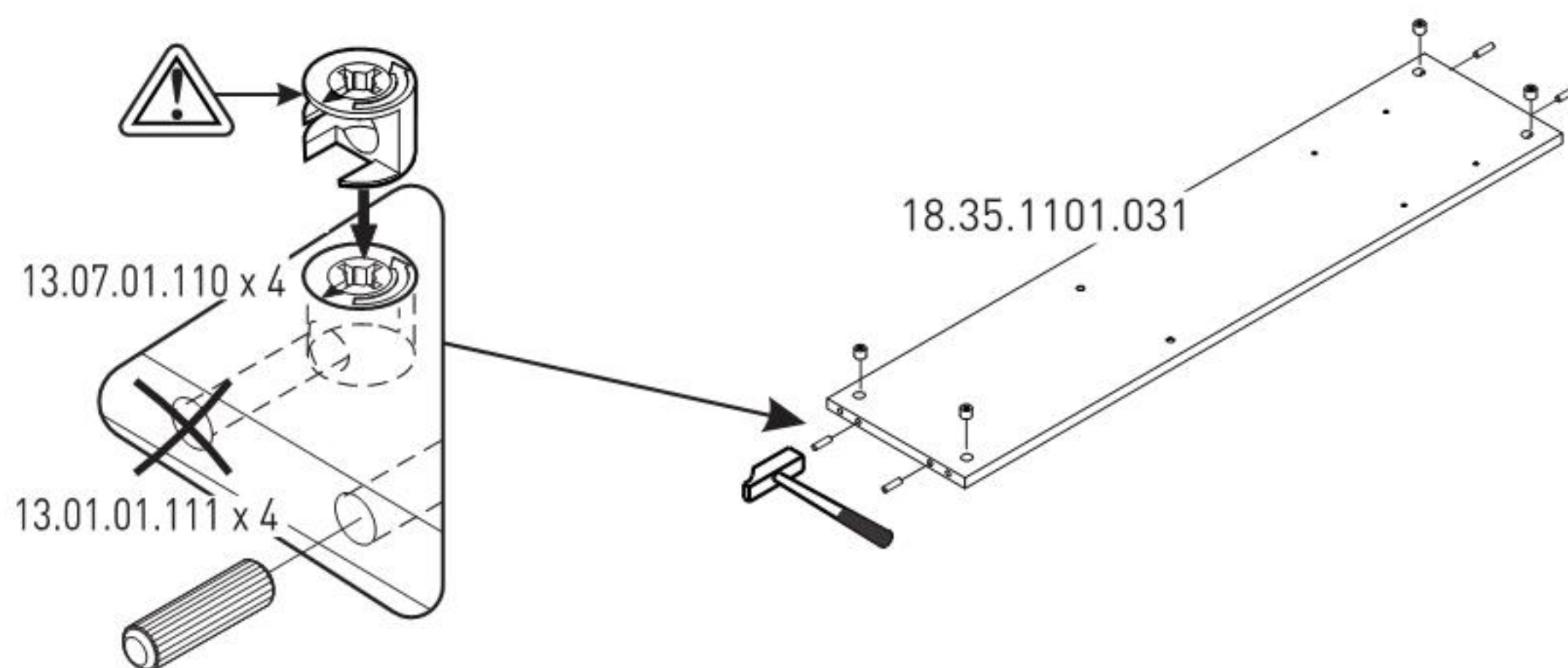




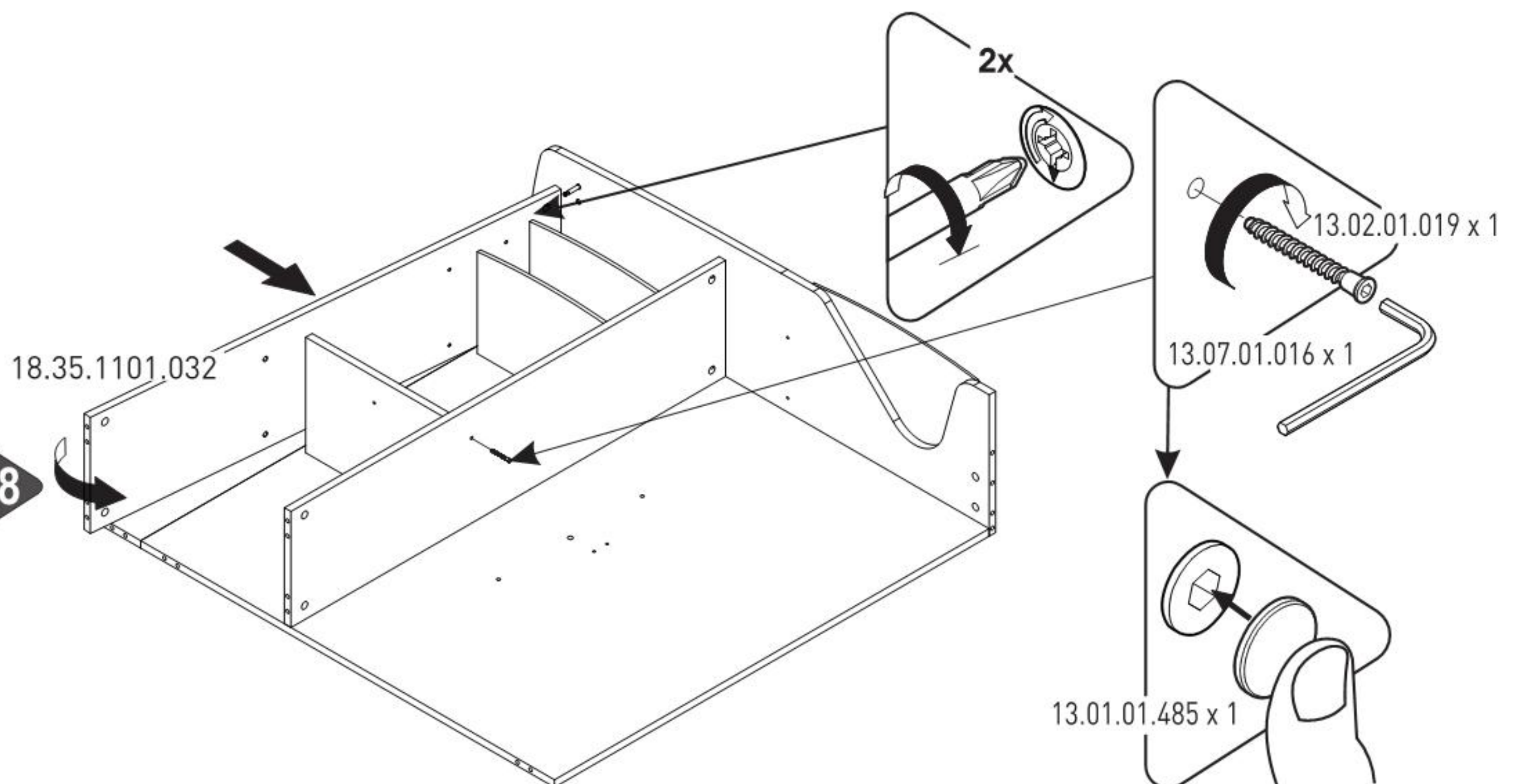
36



37

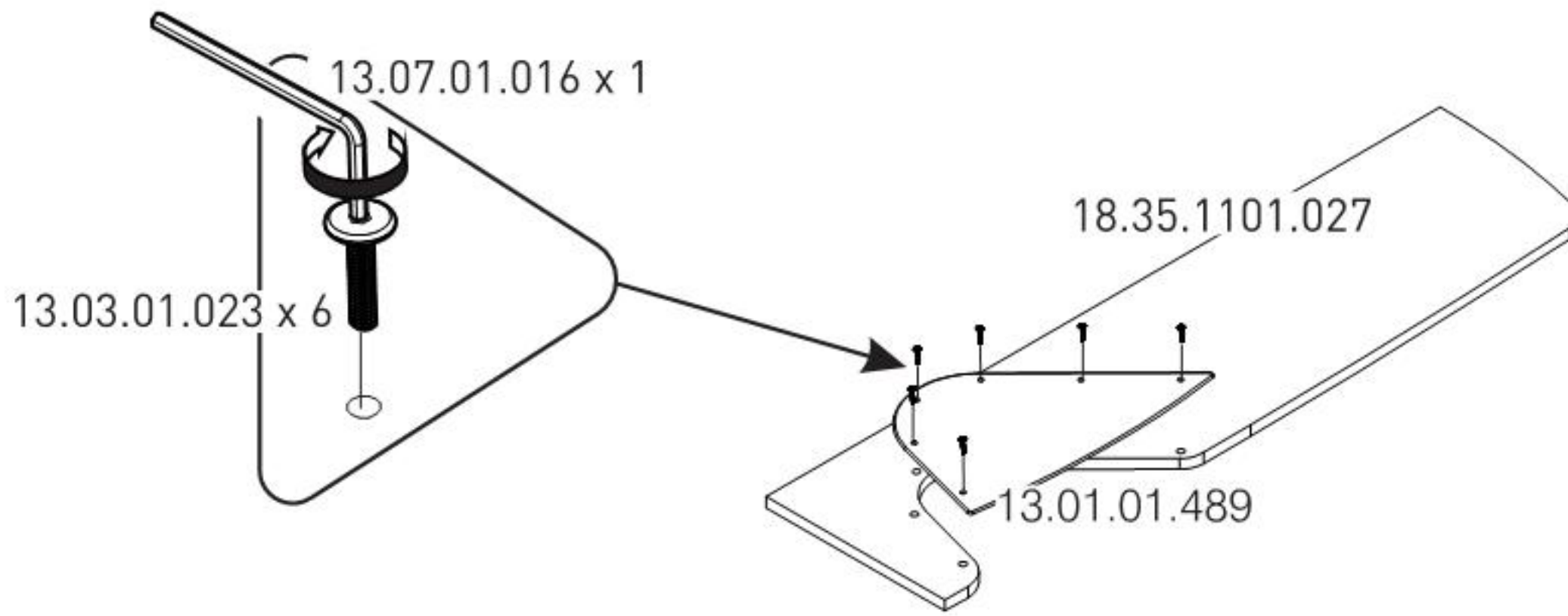


38

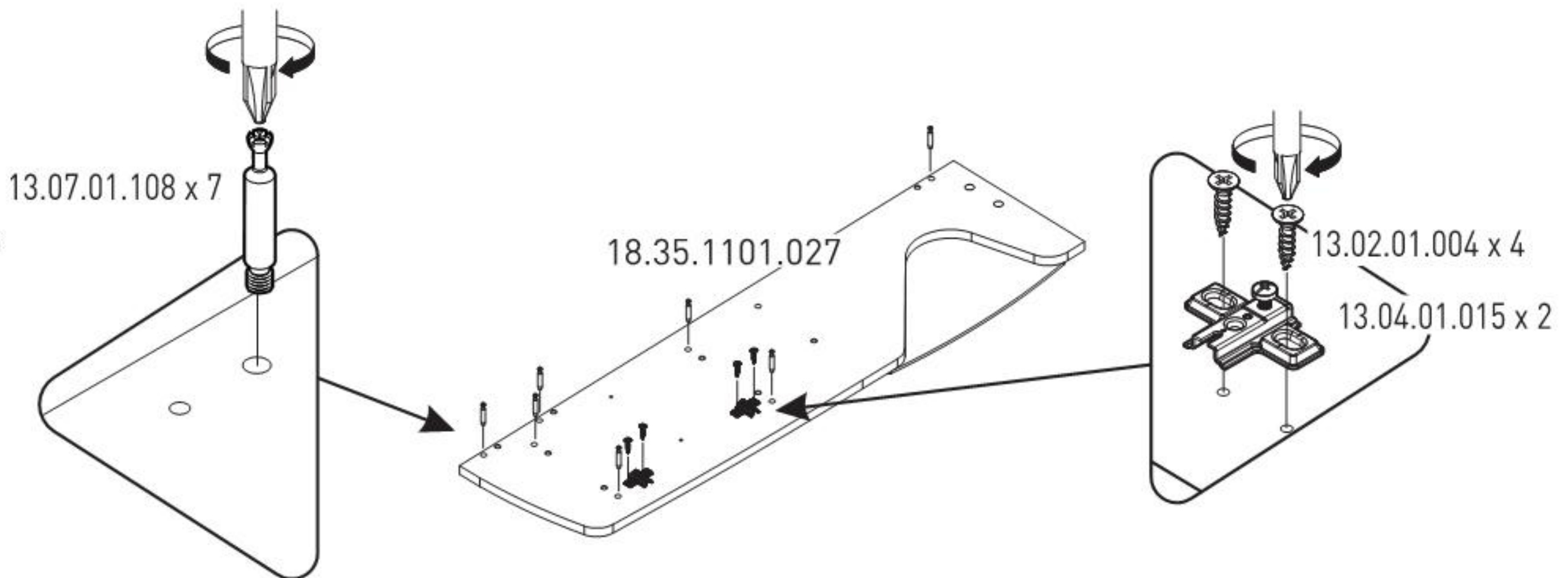




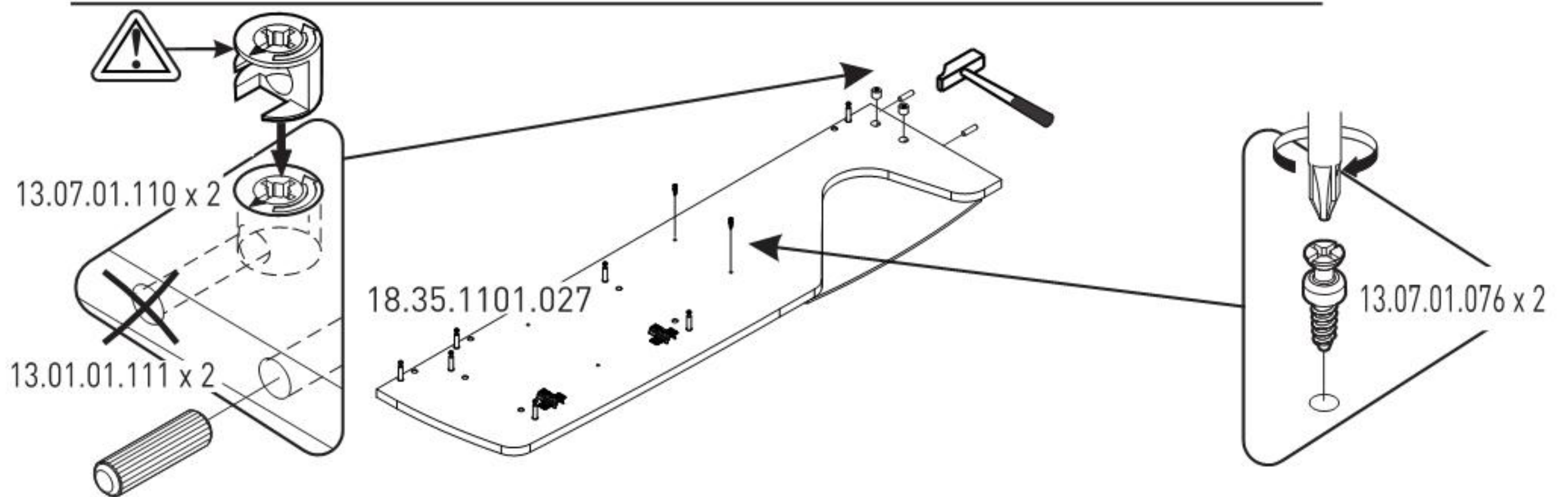
39



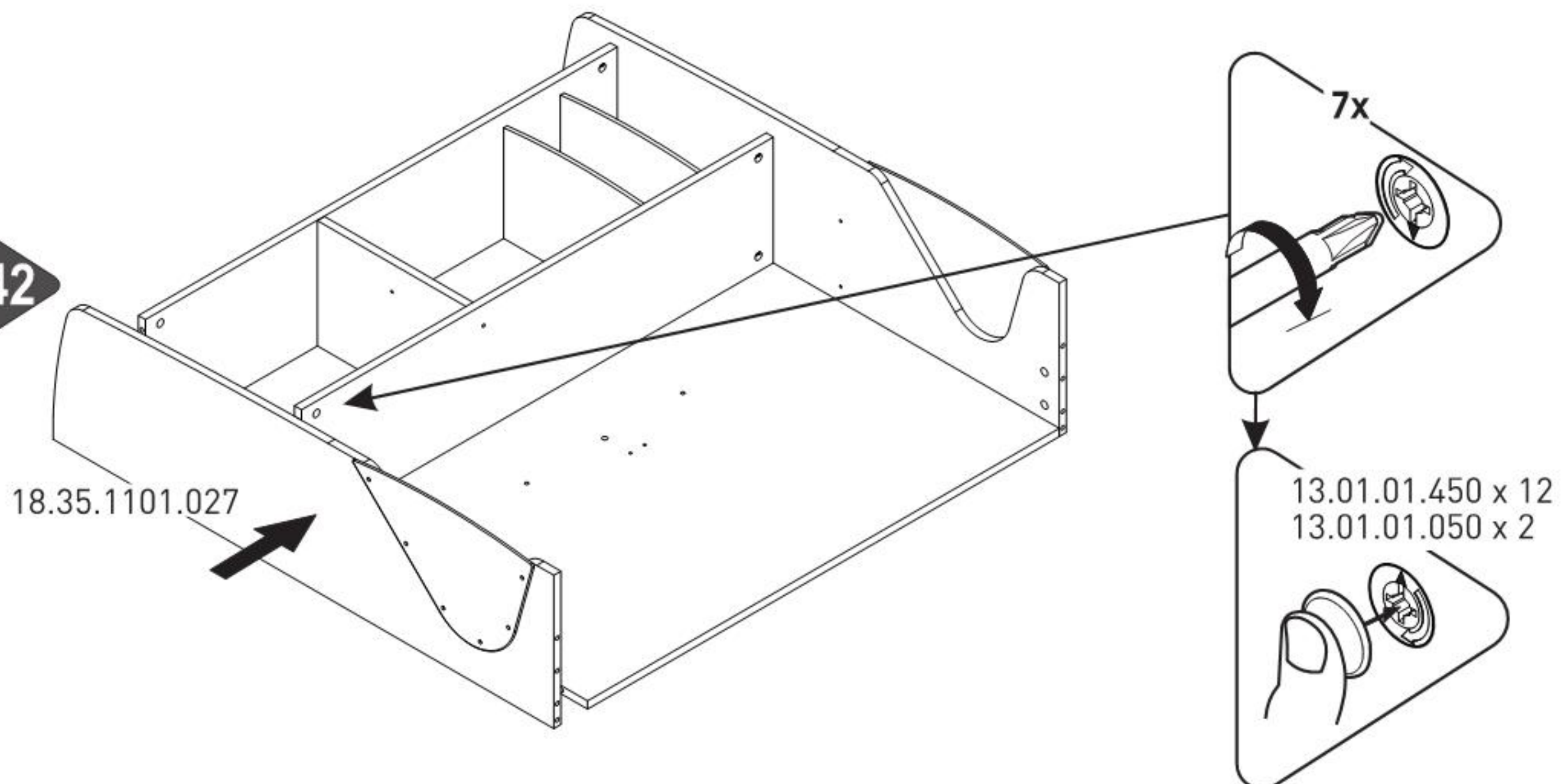
40



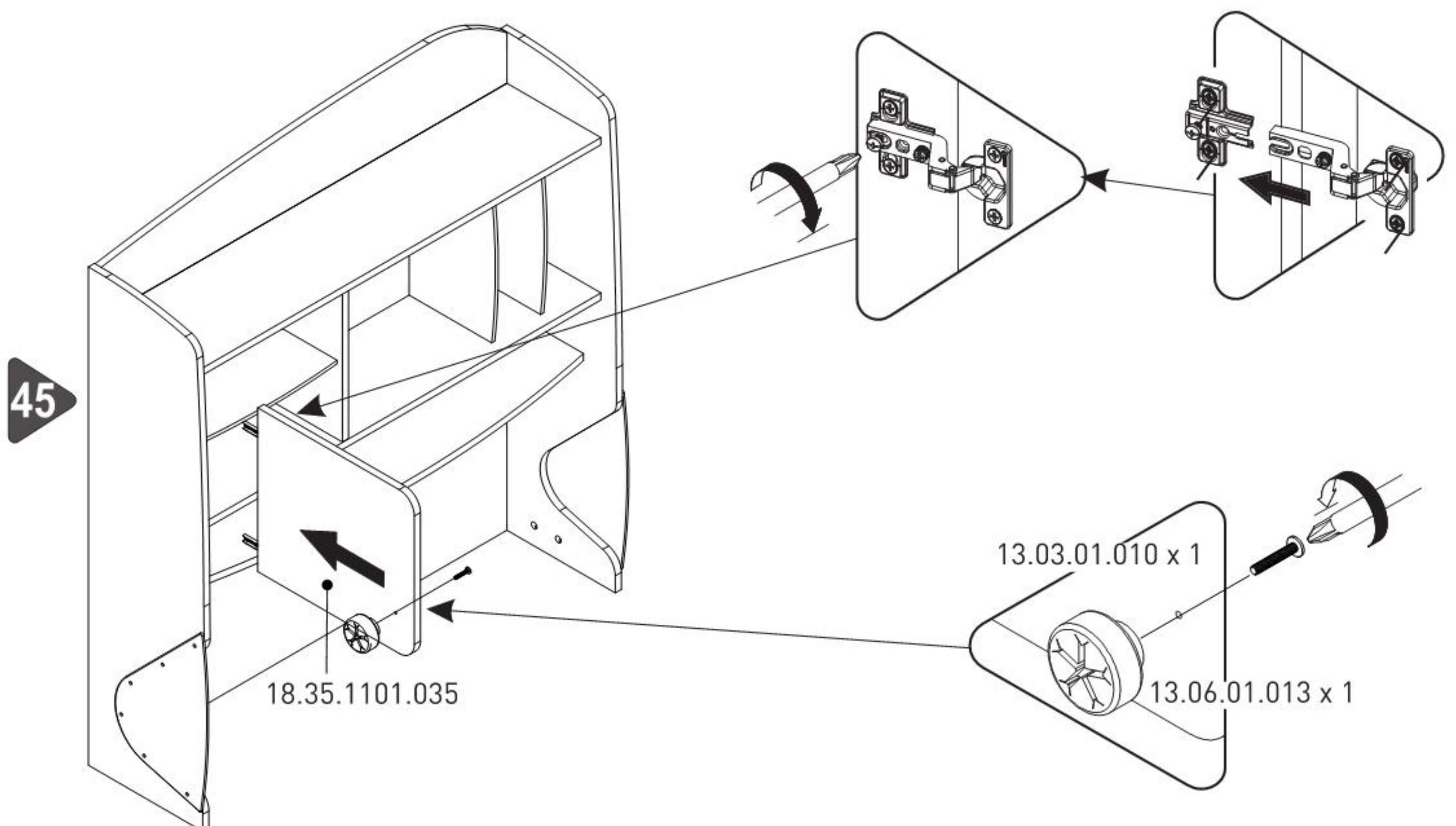
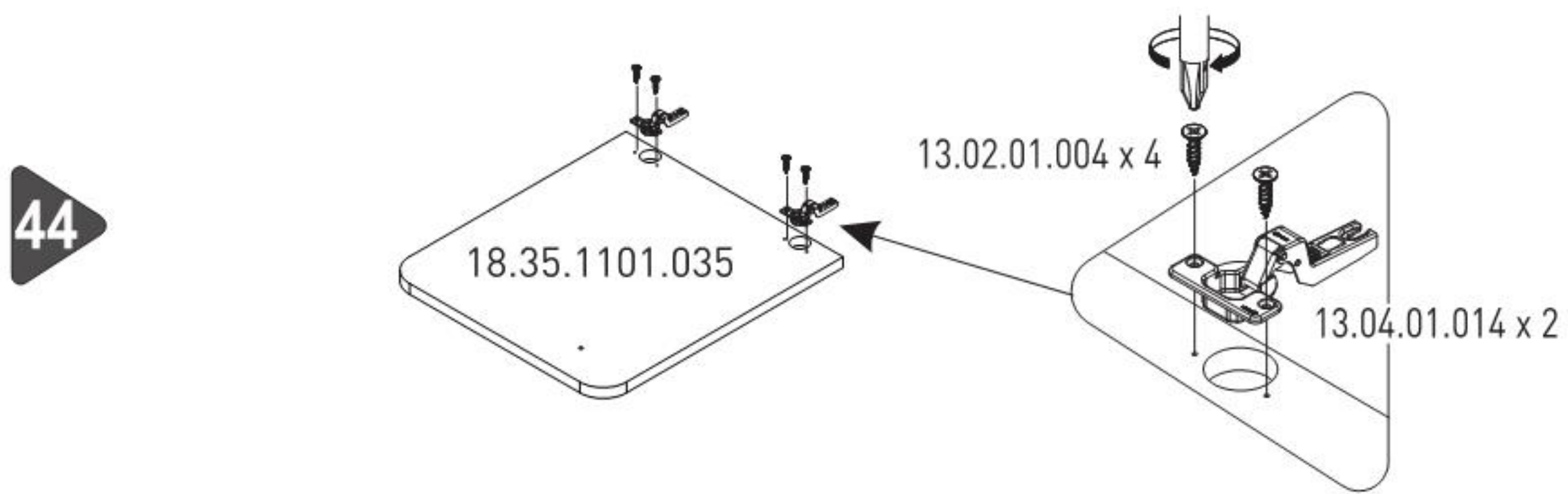
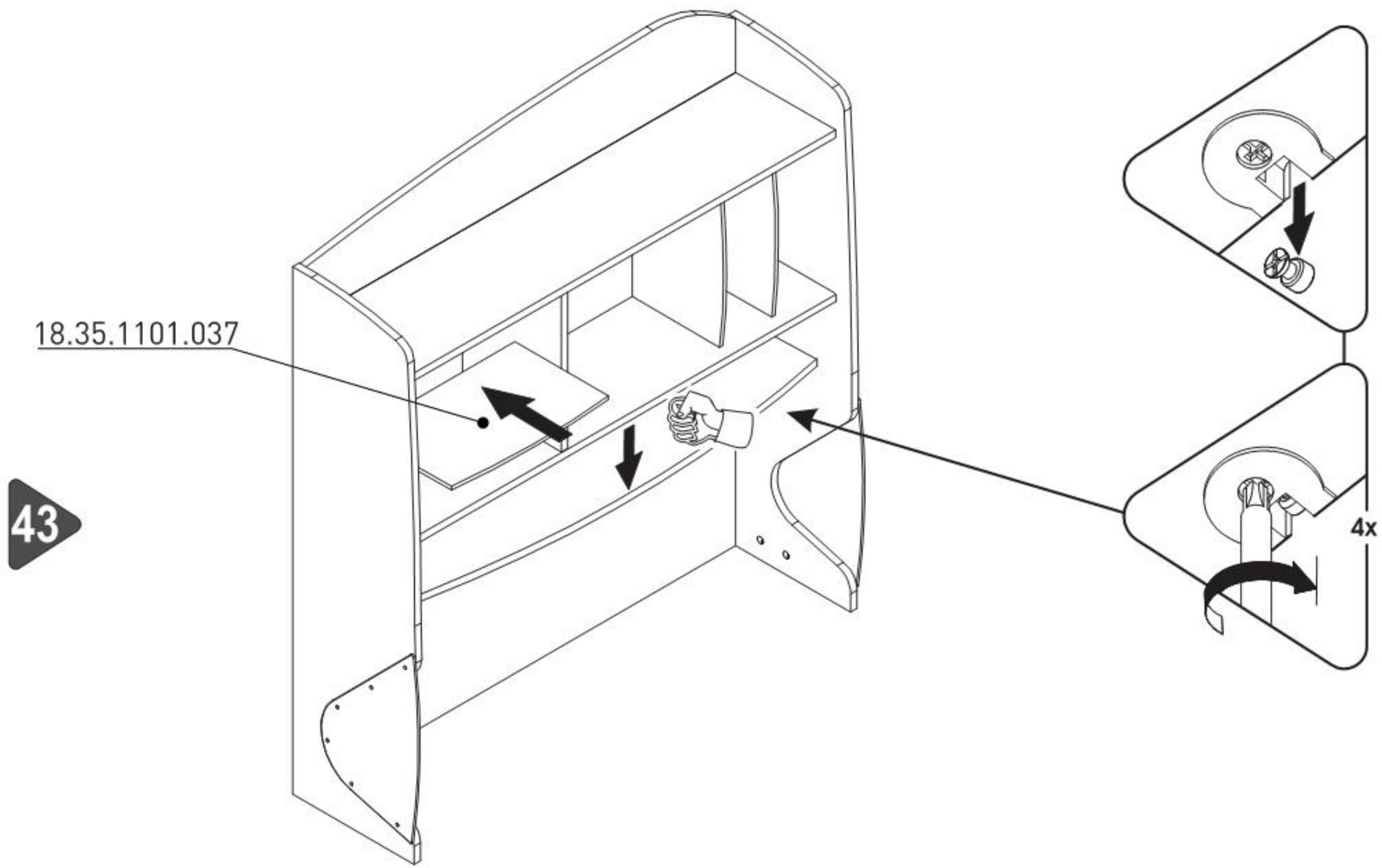
41



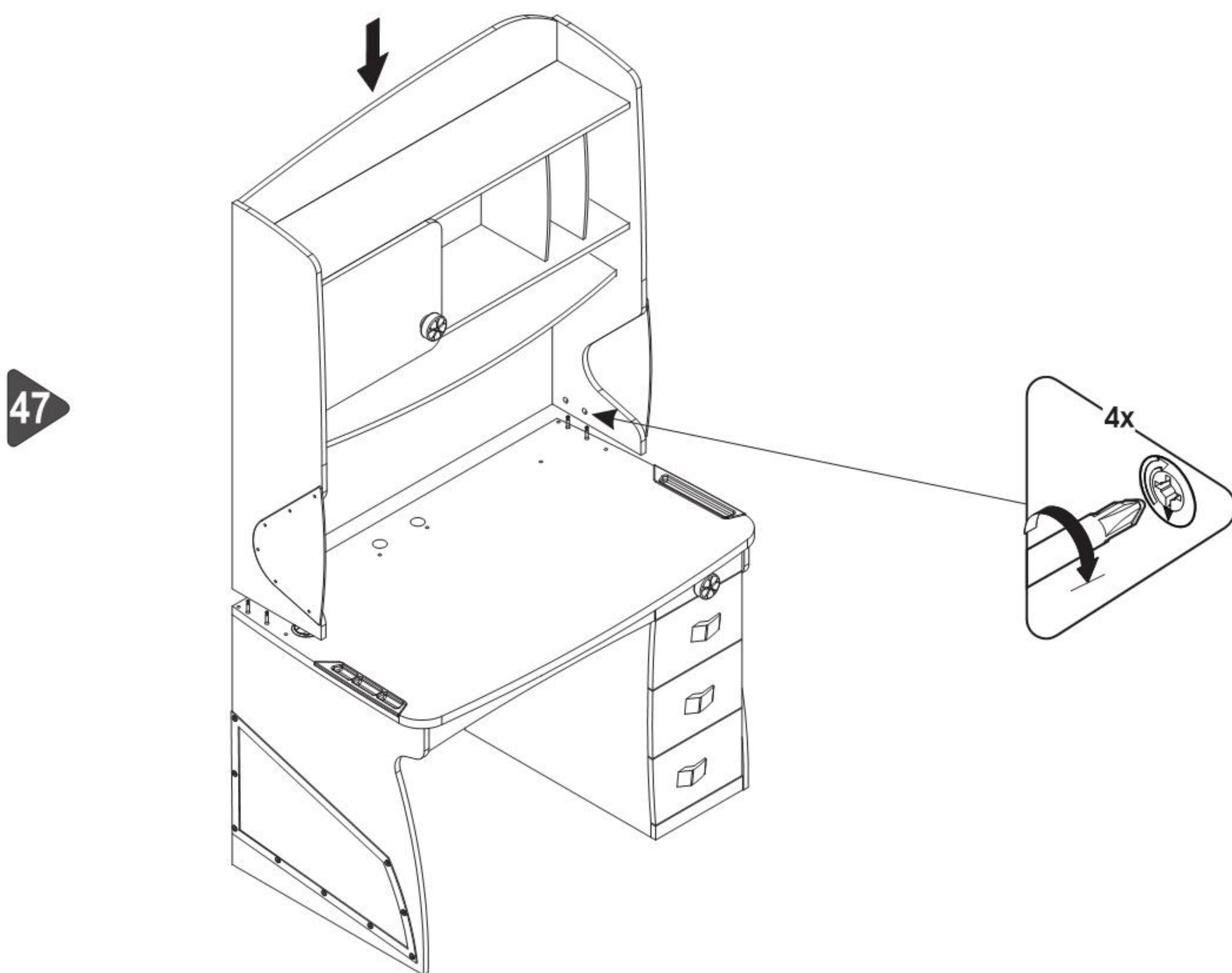
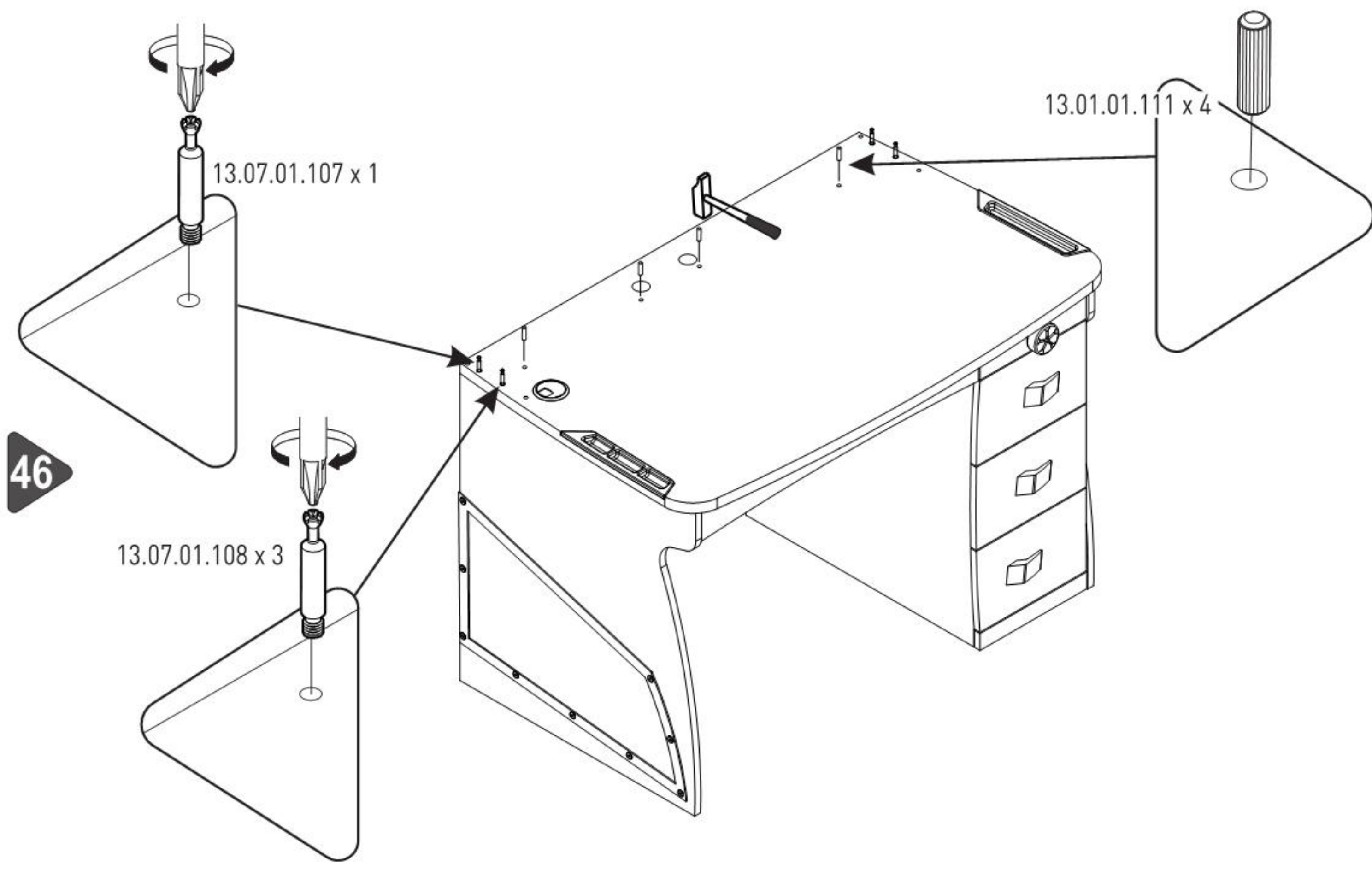
42





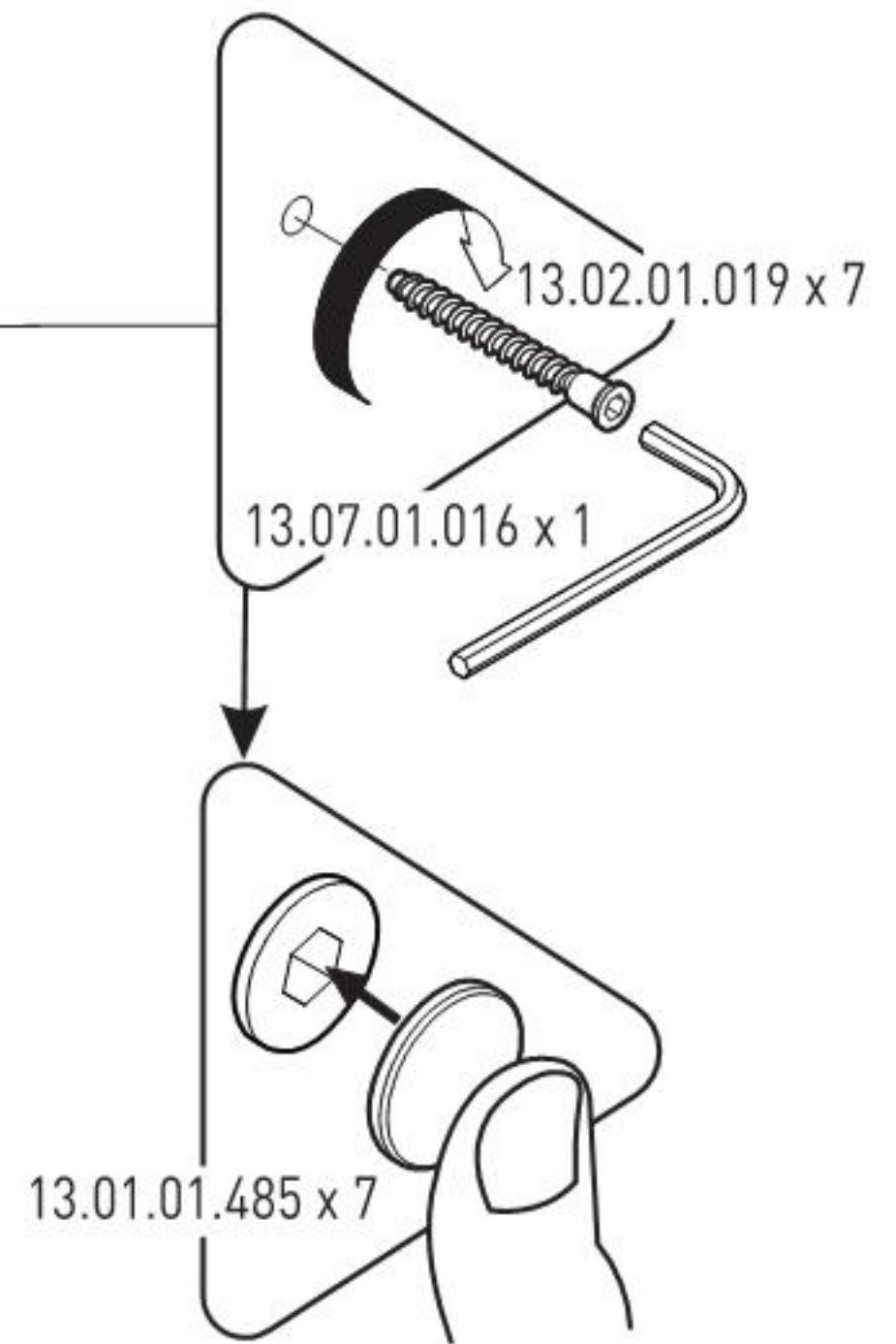
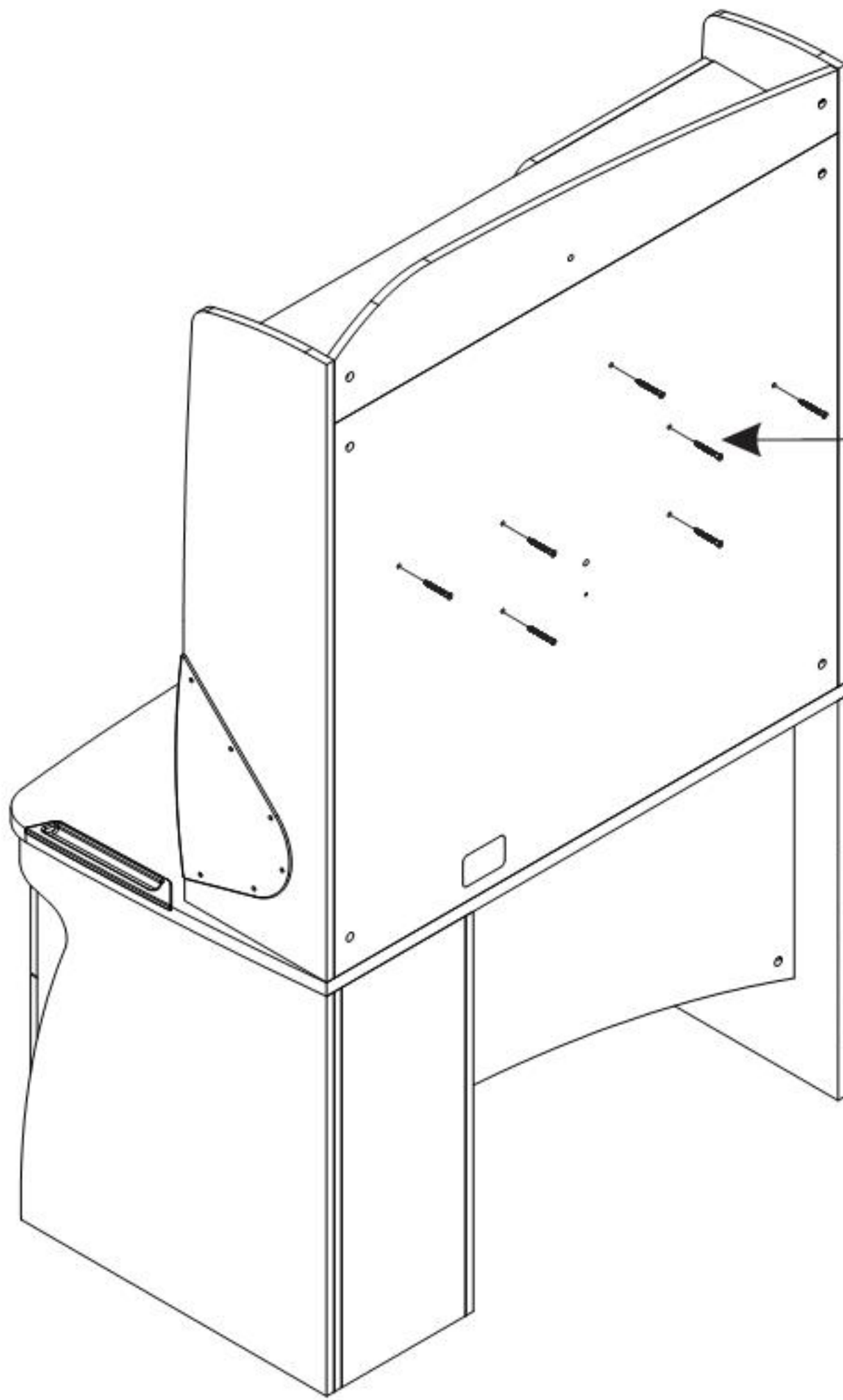




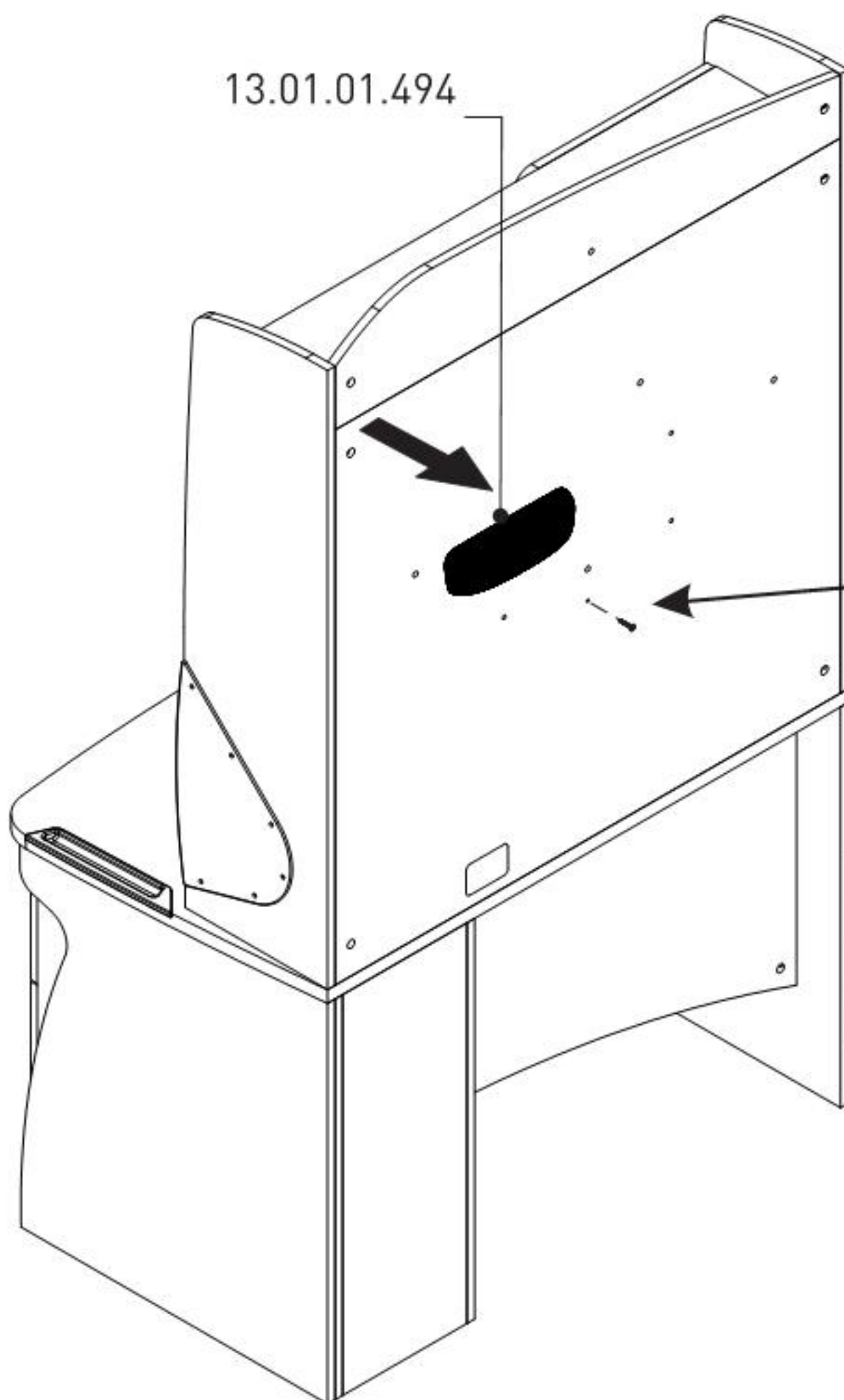




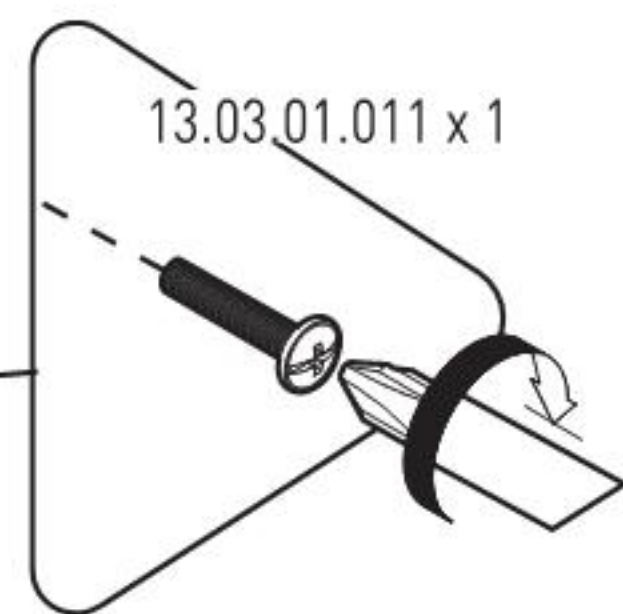
48



49



13.01.01.494

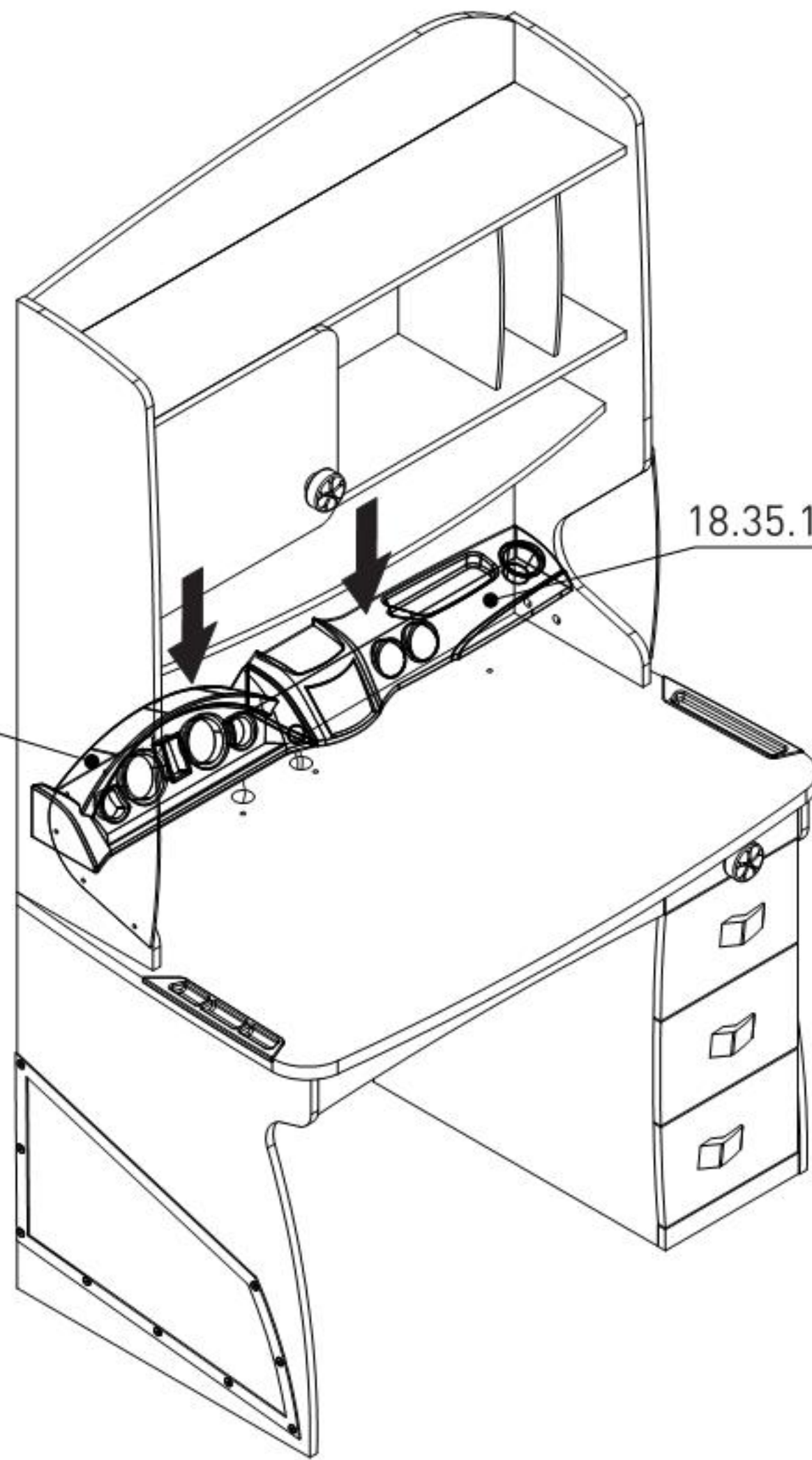




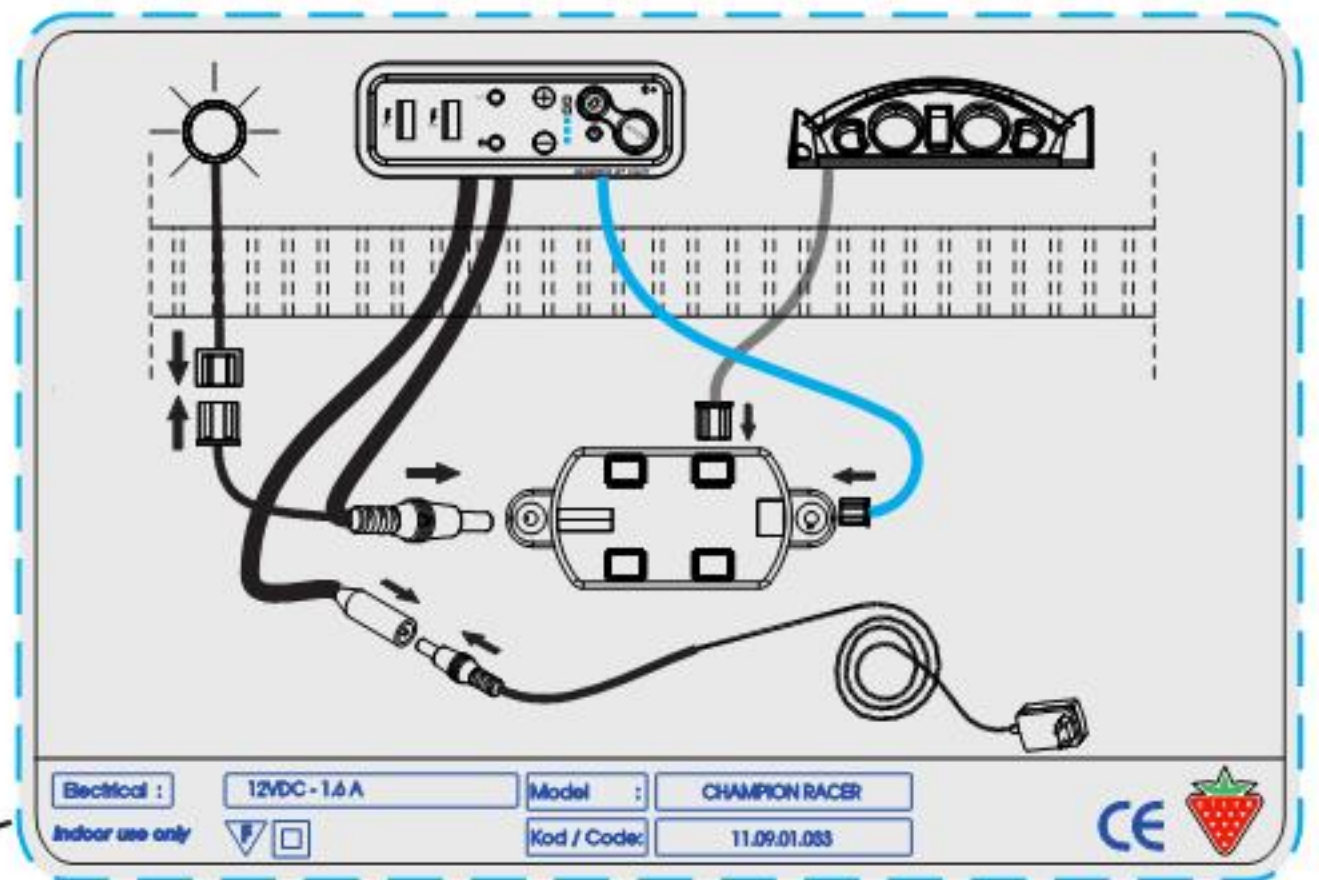
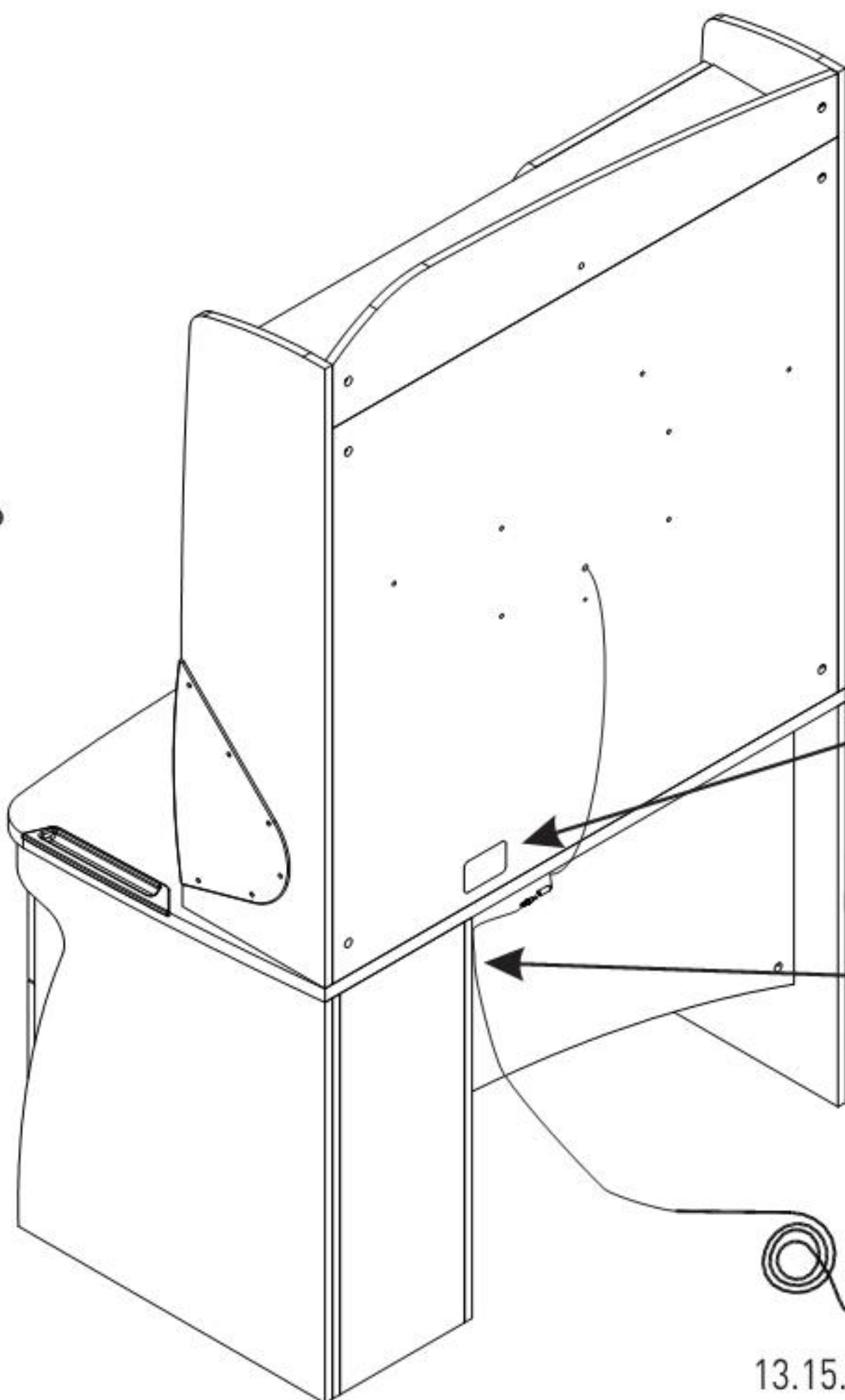
50

18.35.1101.042

18.35.1101.041



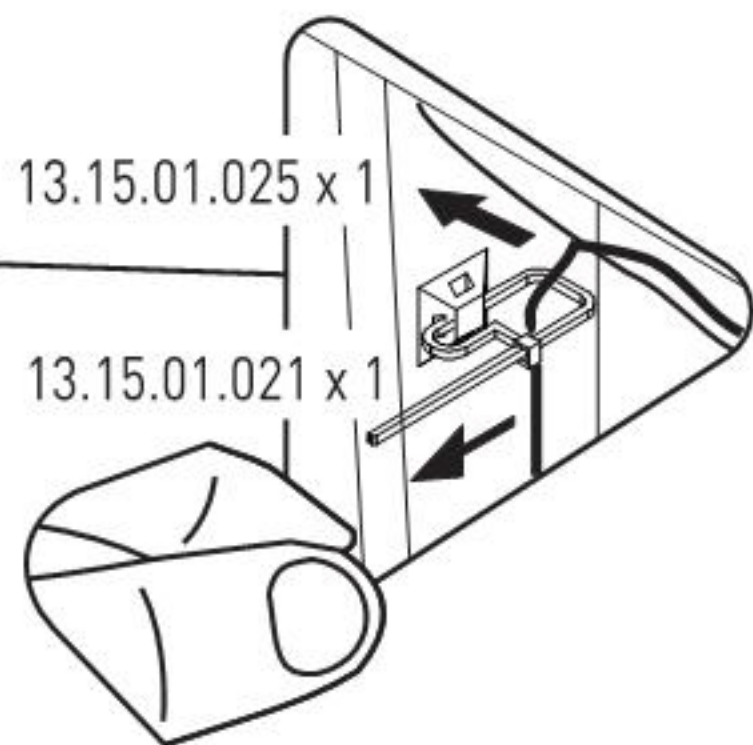
51



13.15.01.025 x 1

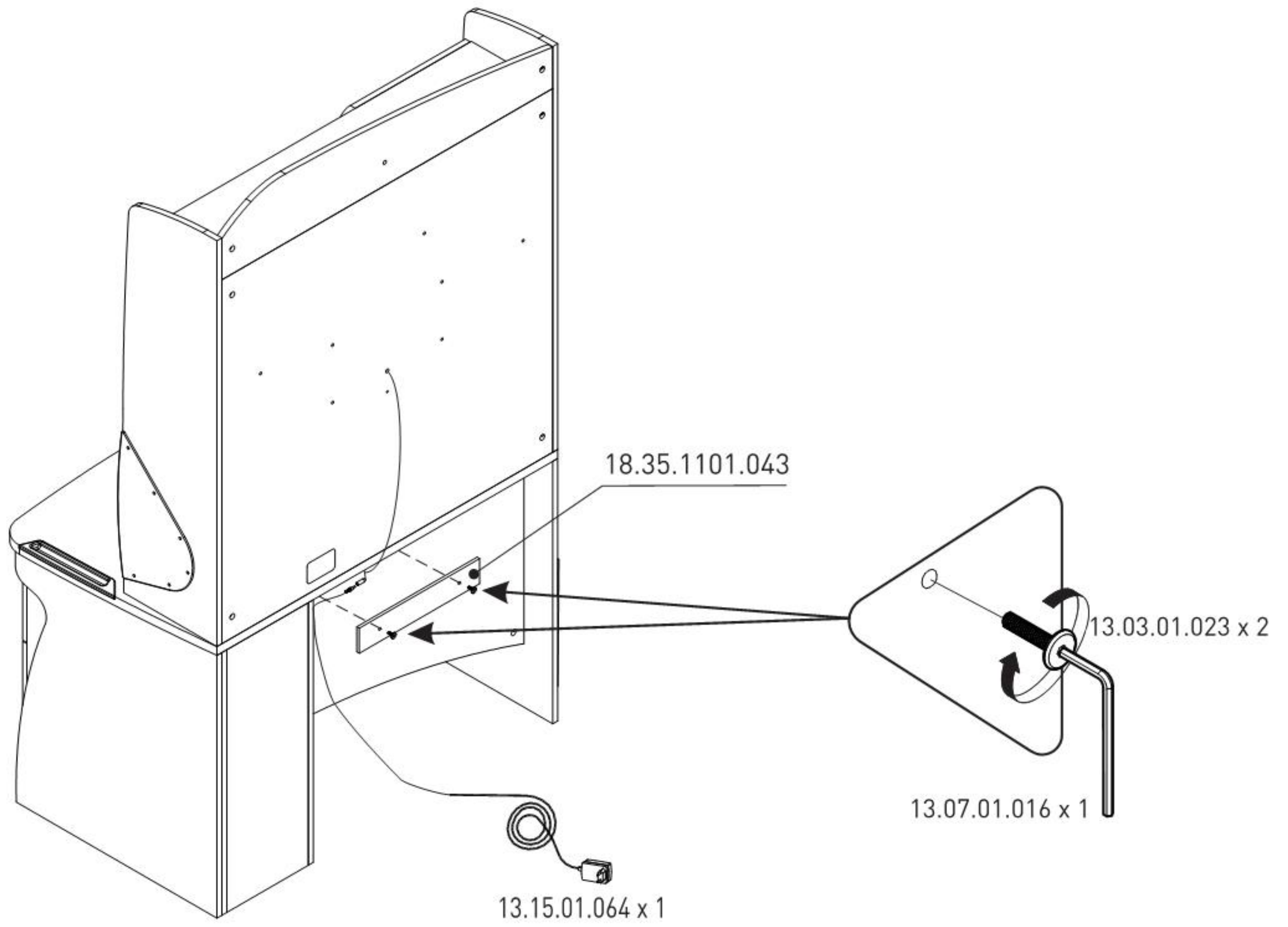
13.15.01.021 x 1

13.15.01.064 x 1

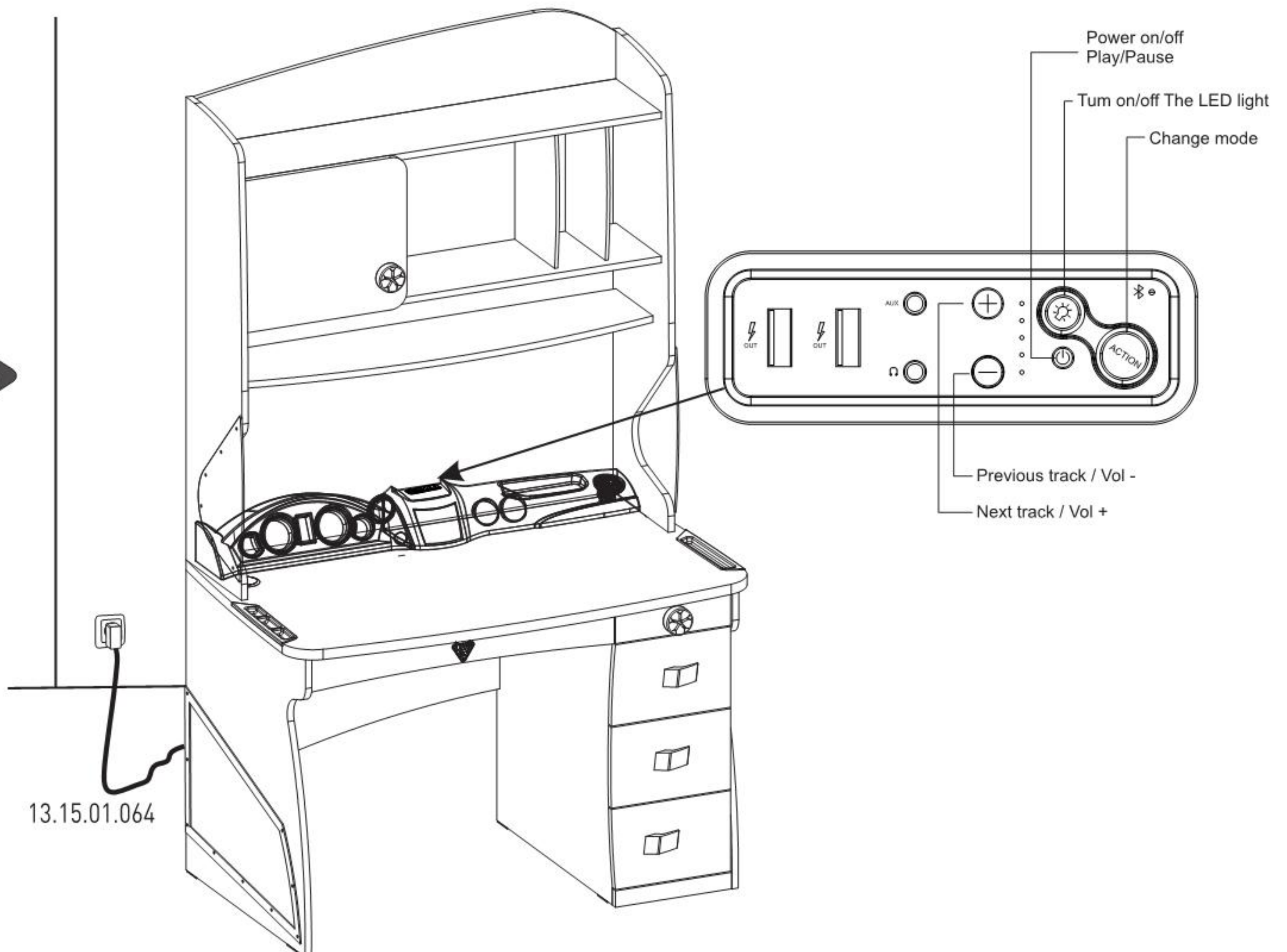




52

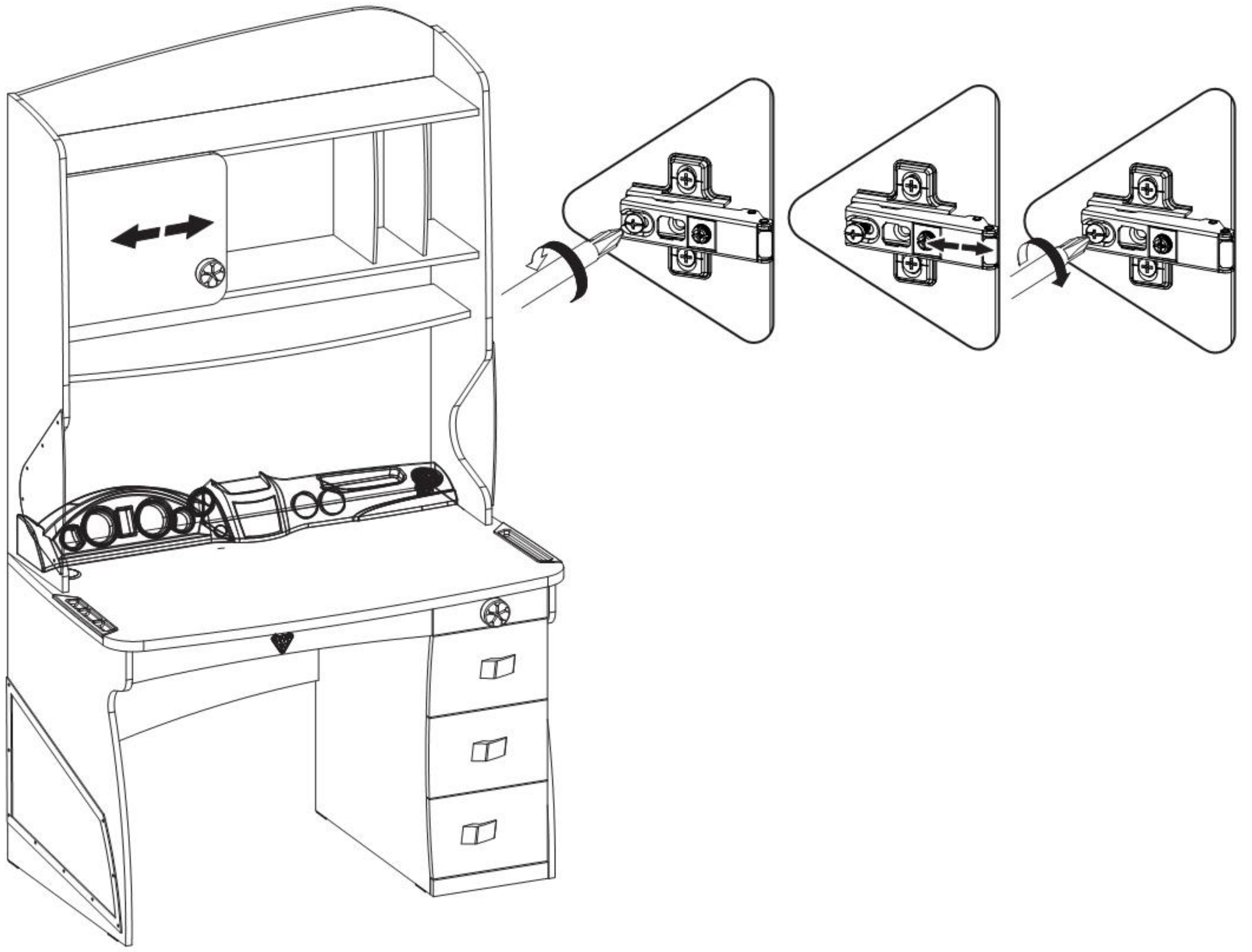


53





54



55

