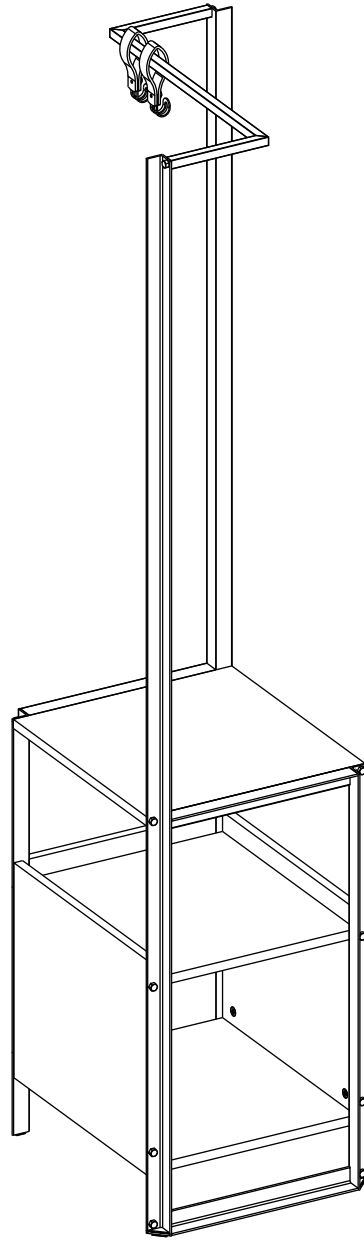
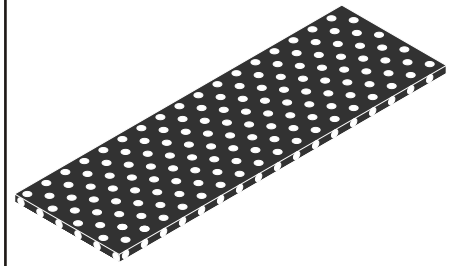
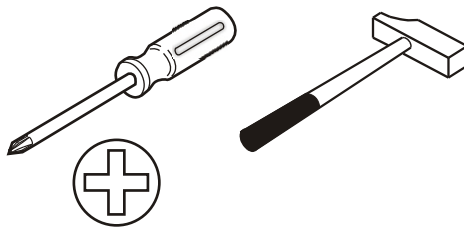
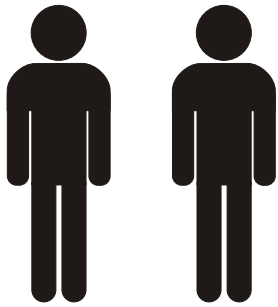
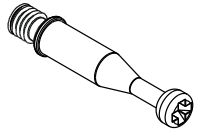


**20.52.1105.00**





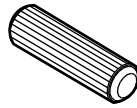
1 / 1



13.07.01.108 x 12



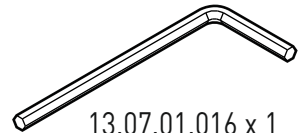
13.07.01.110 x 16



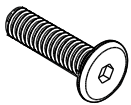
13.01.01.111 x 12



13.01.01.058 x 16



13.07.01.016 x 1



13.03.01.023 x 4  
M6x15



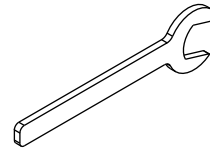
13.03.01.089 x 2  
M4X10



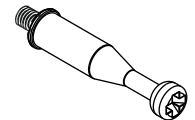
13.03.01.006 x 2  
M4x12



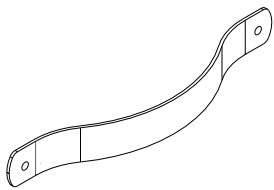
13.03.01.090 x 10



13.07.02.085 x 1



13.07.01.107 x 4



13.06.01.153 x 2



18.52.1105.210 x 2



13.03.01.087 x 2  
M4X13

1 / 1

18.52.1105.203

18.52.1105.201

18.52.1105.202

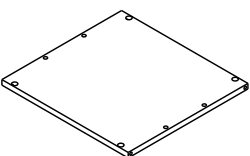
18.52.1105.204

18.52.1105.004 x 1

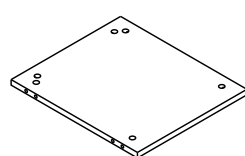
18.52.1105.005 x 1

18.52.1105.006 x 1

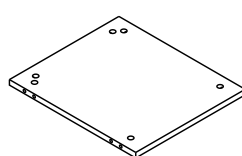
18.52.1105.208 x 2



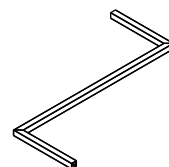
18.52.1105.001 x 1



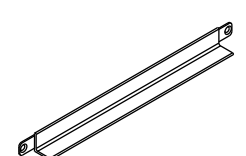
18.52.1105.002 x 1



18.52.1105.003 x 1

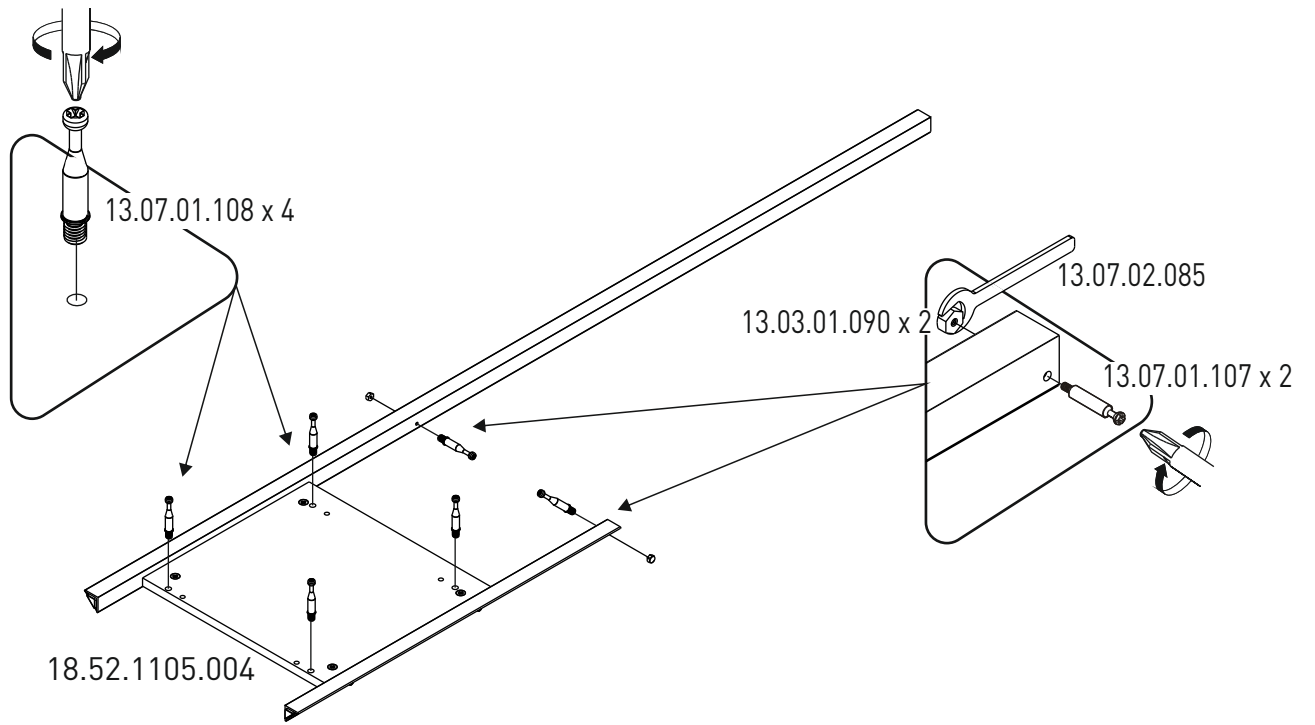


18.52.1105.209 x 1

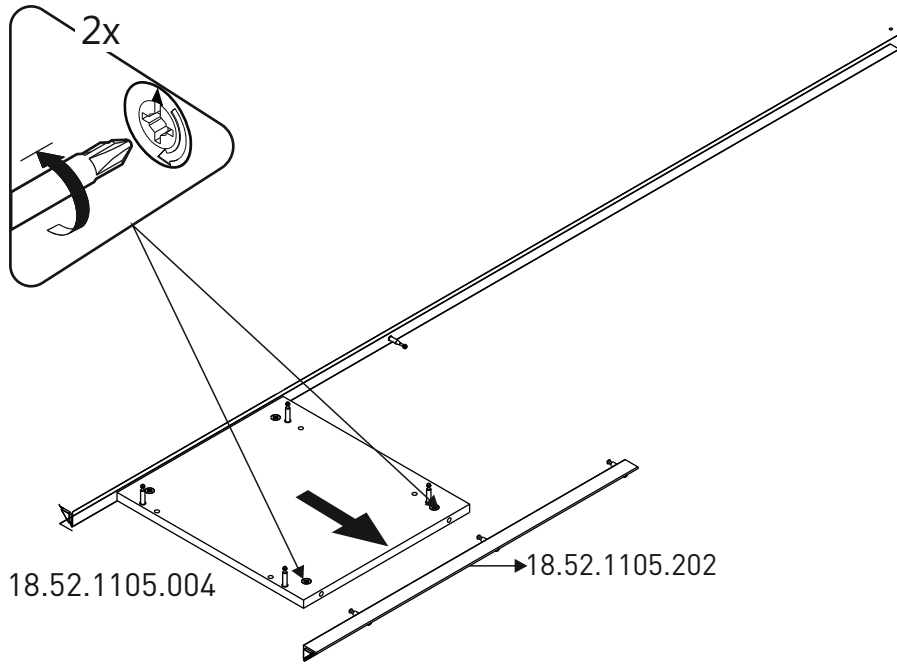


18.52.1105.205 x 1

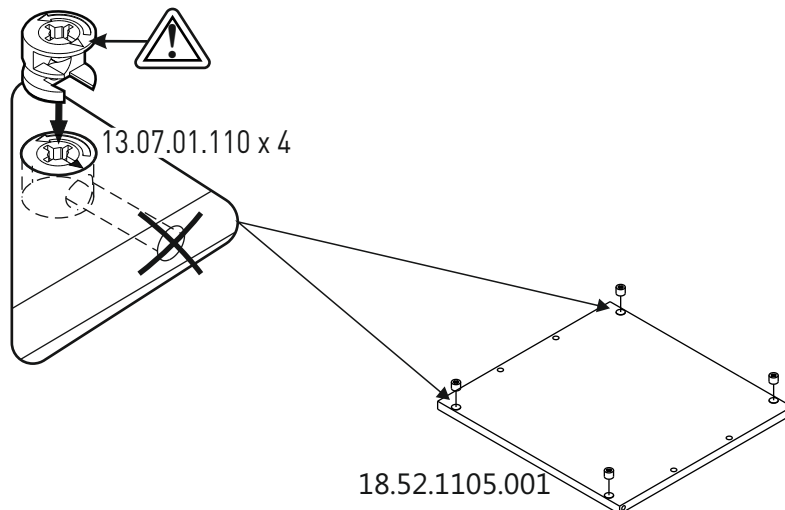
1



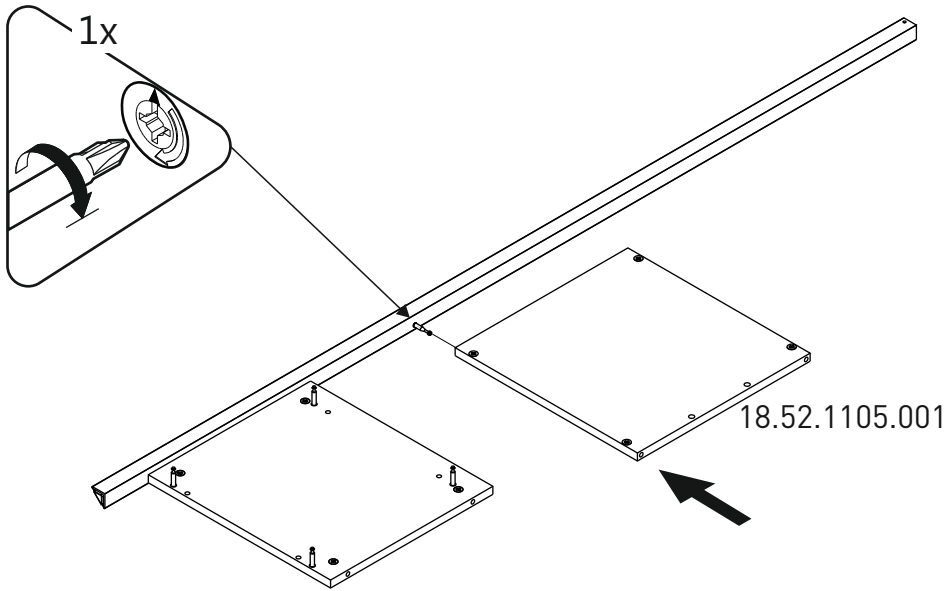
2



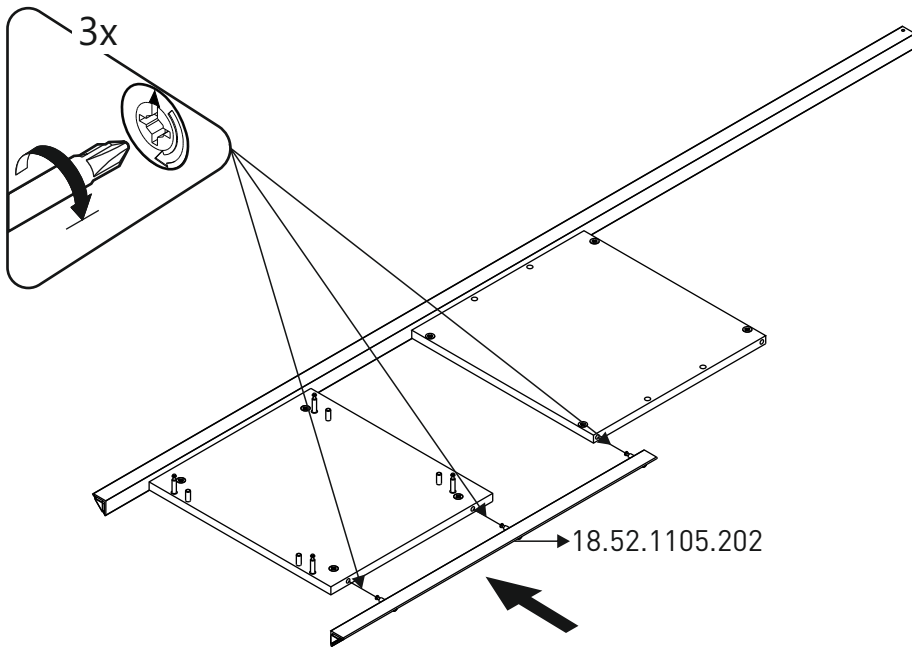
3



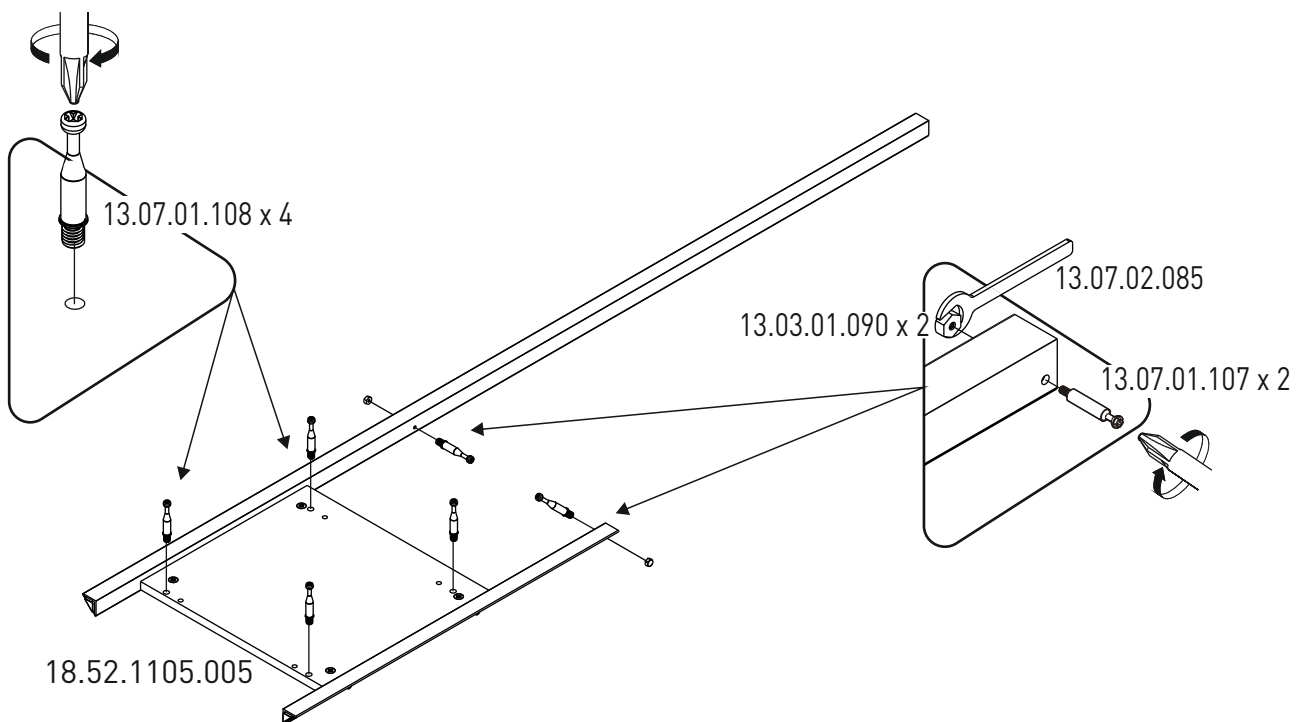
4



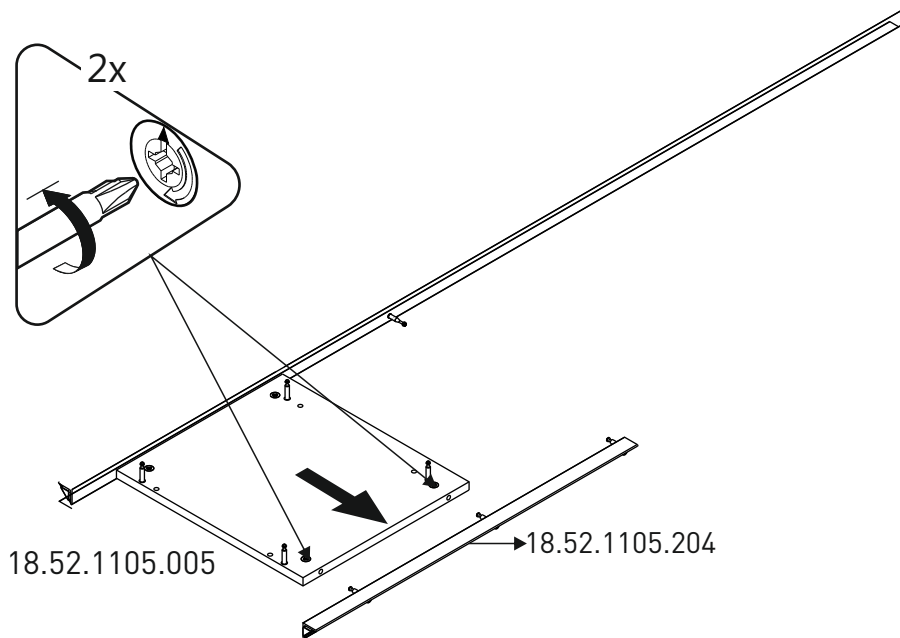
5



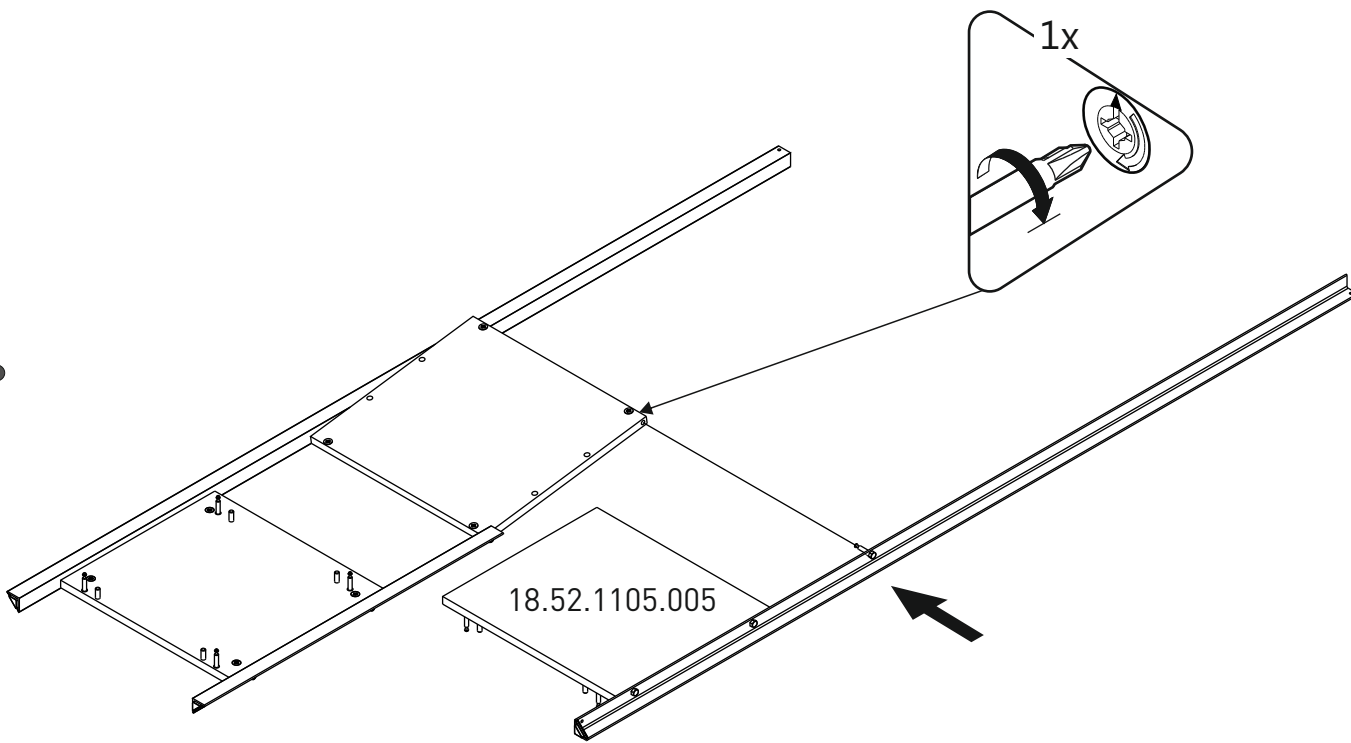
6



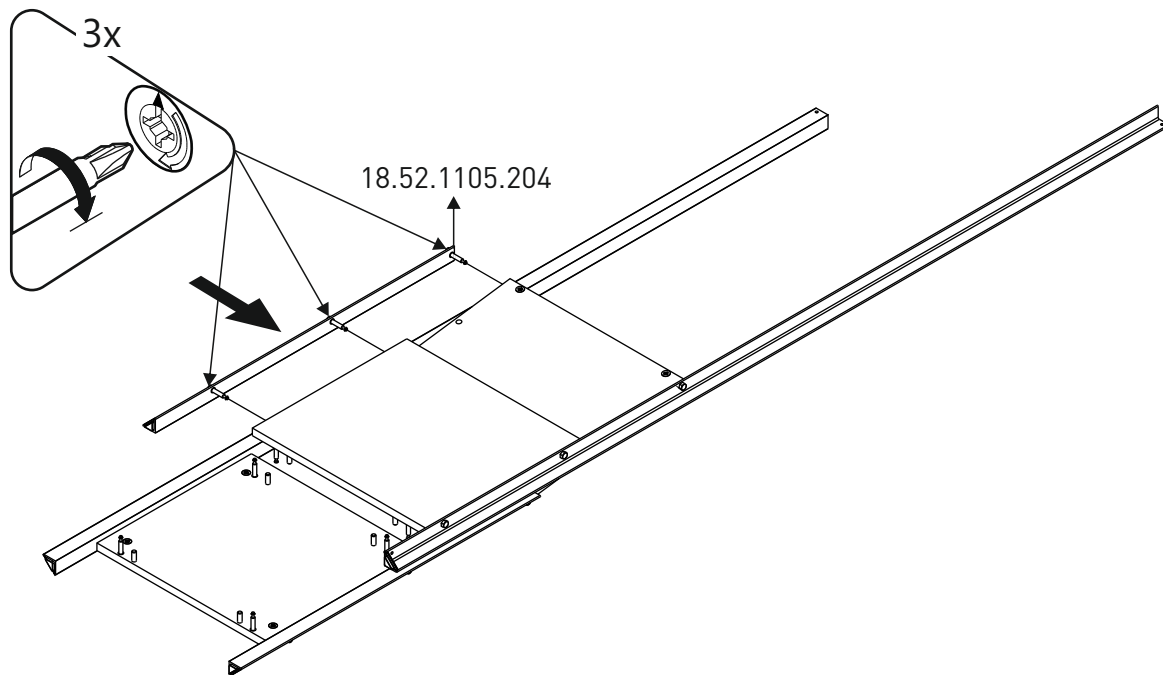
7



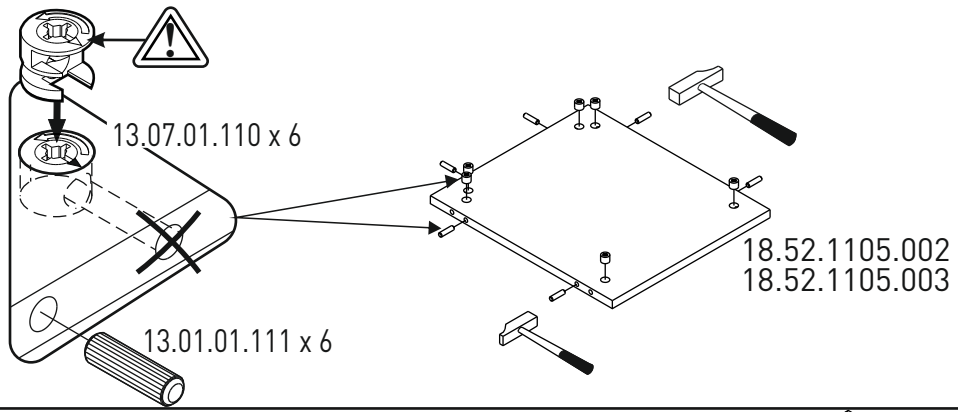
8



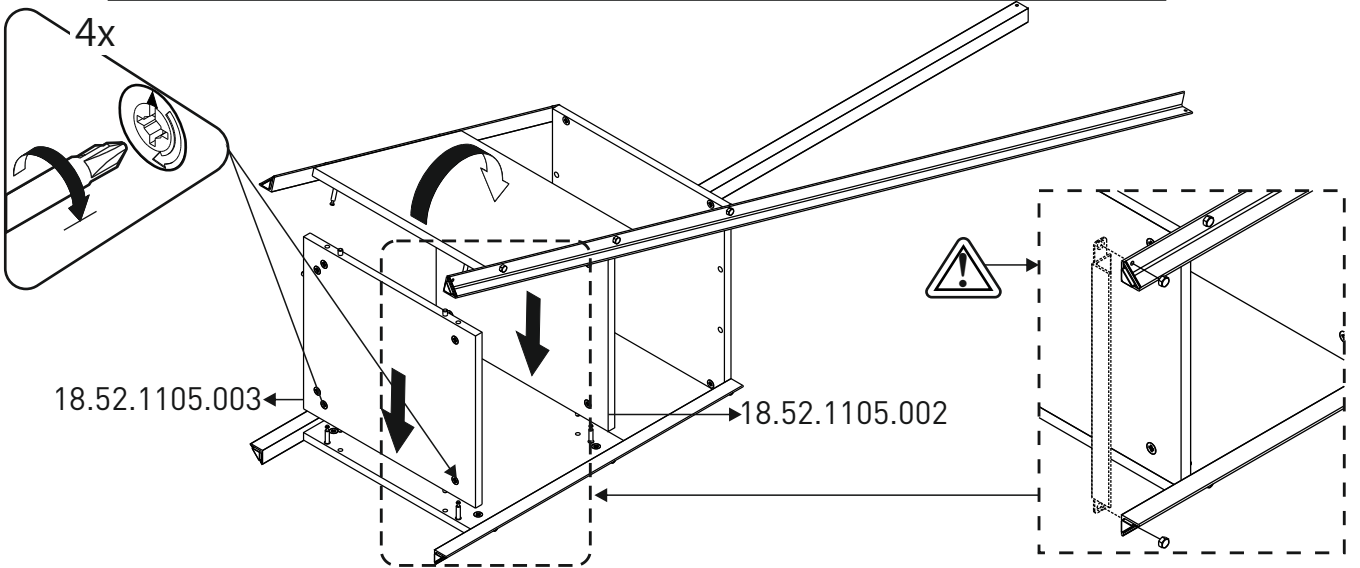
9



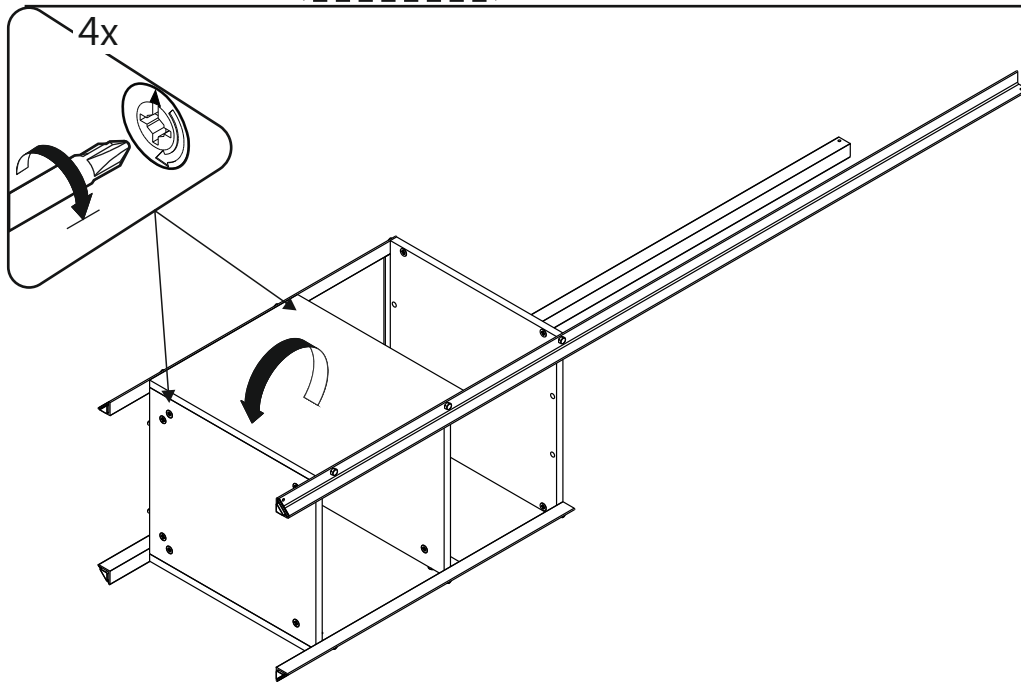
10



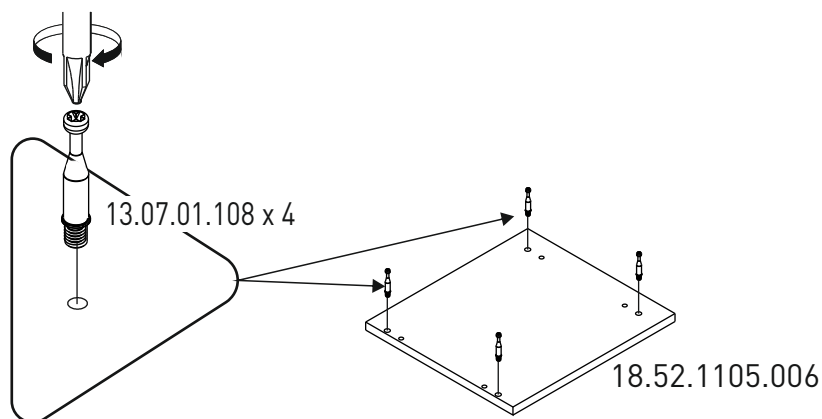
11



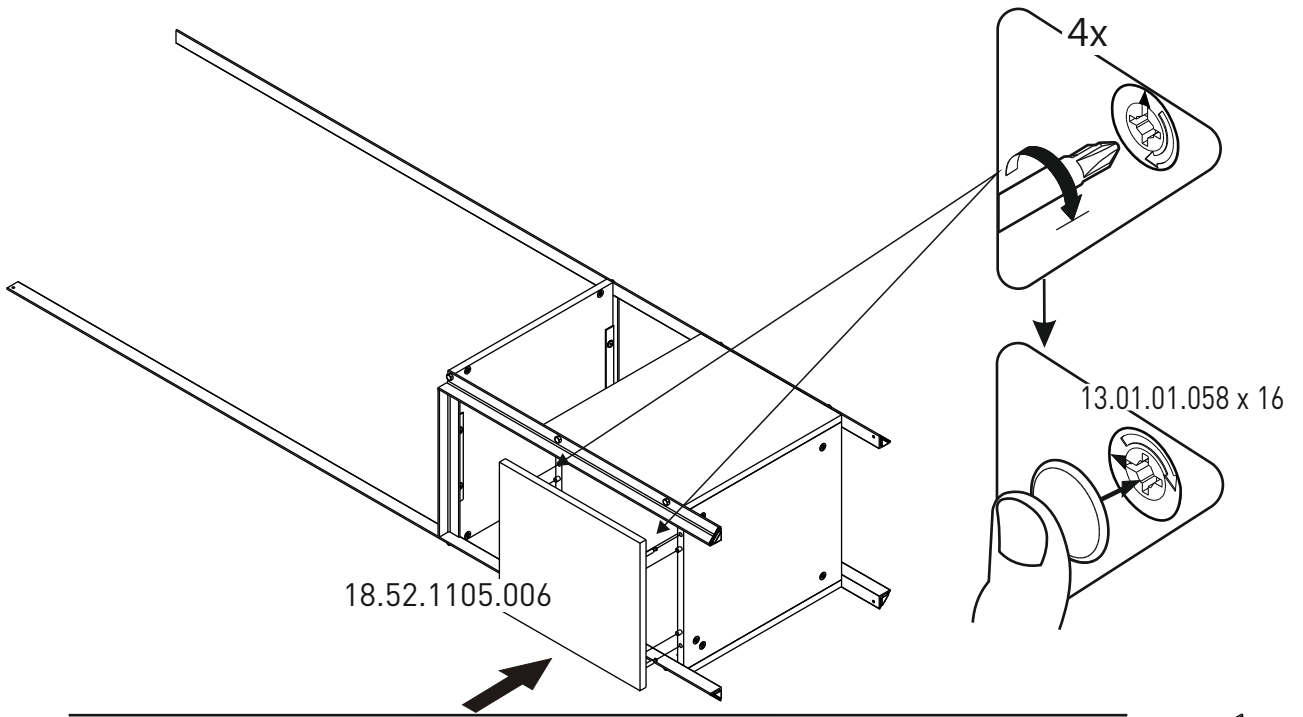
12



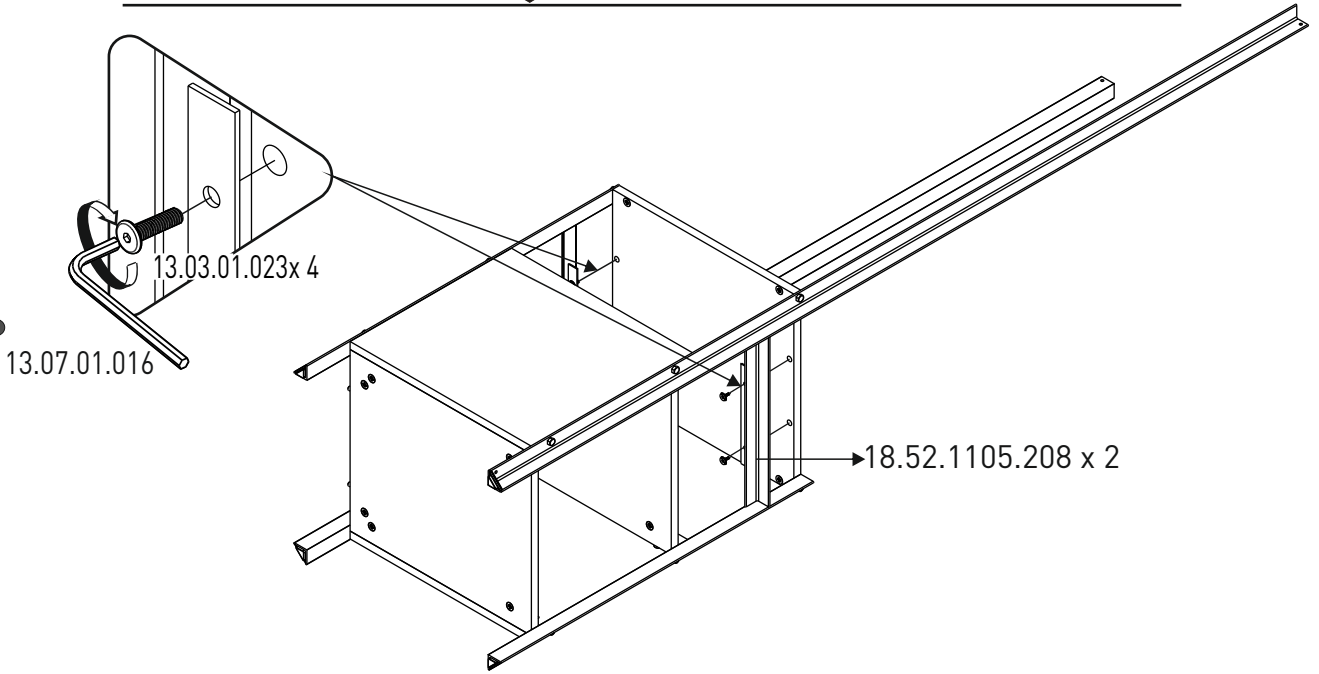
13



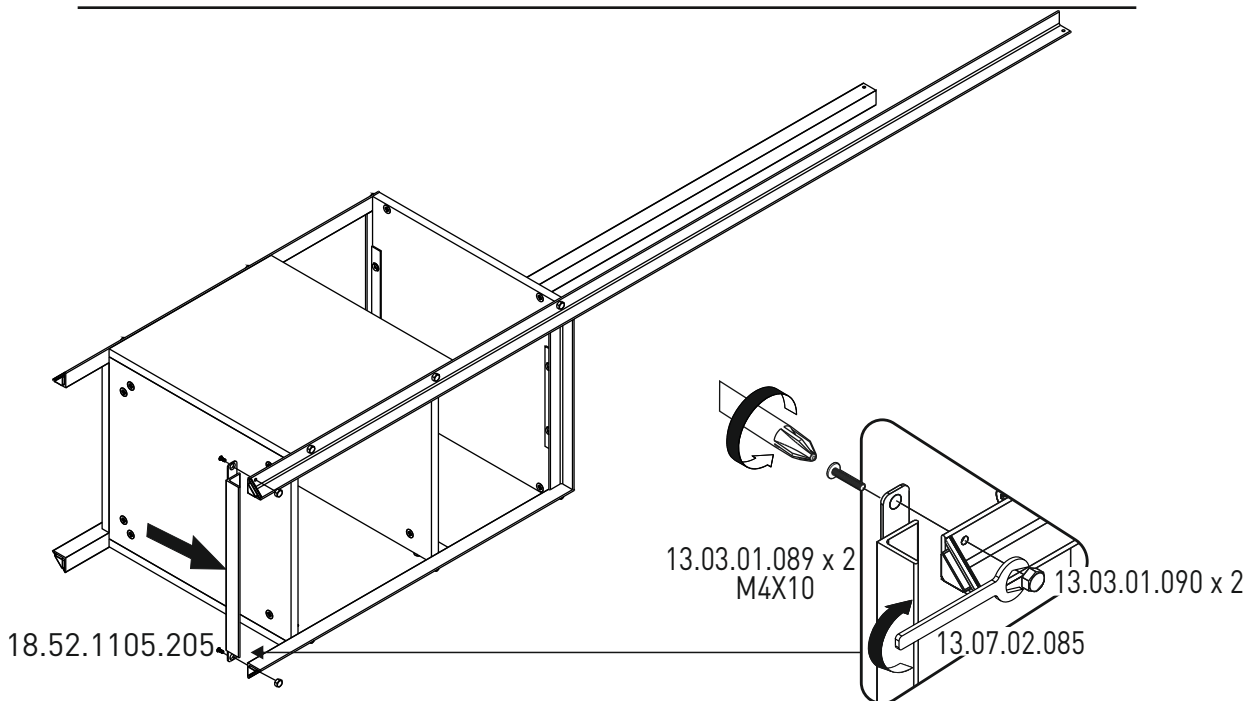
14



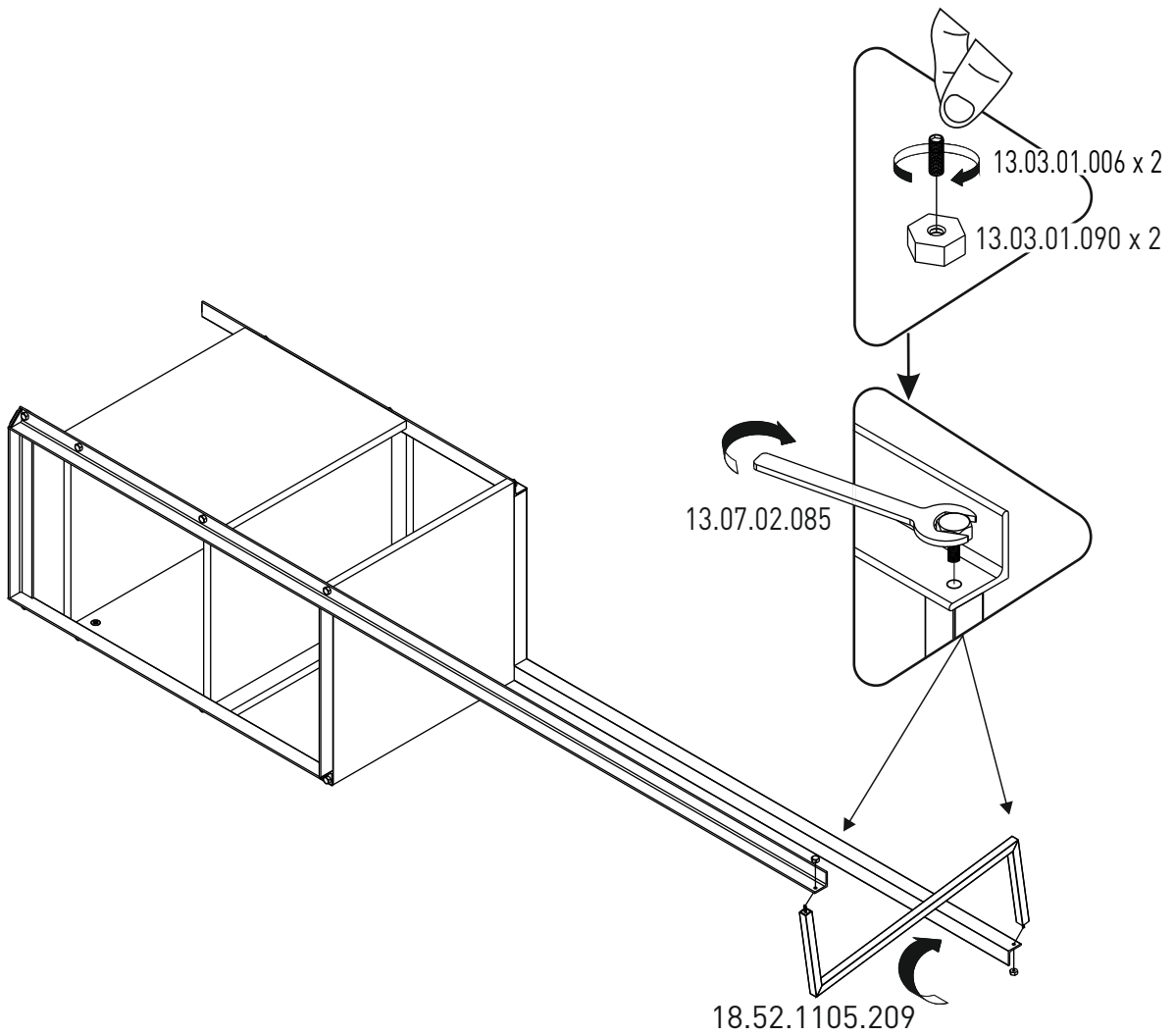
15



16



17



18

