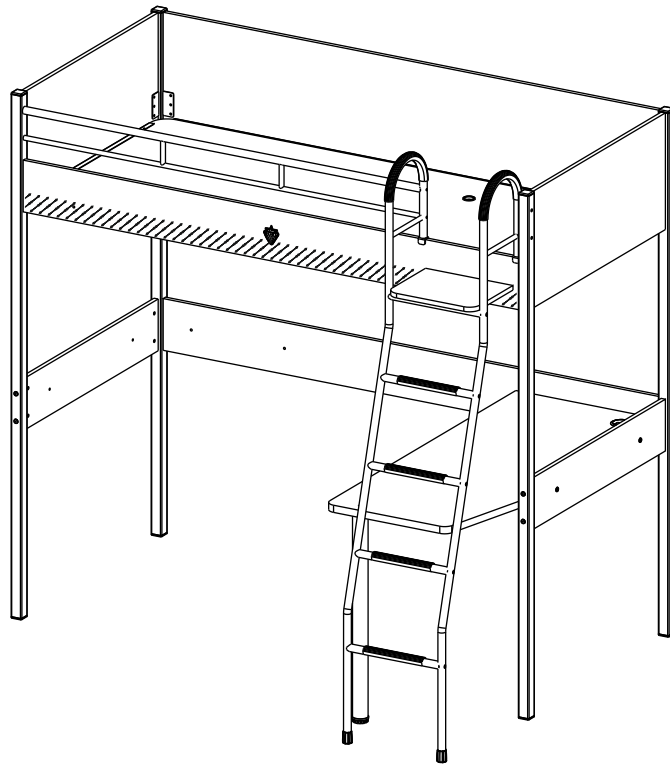
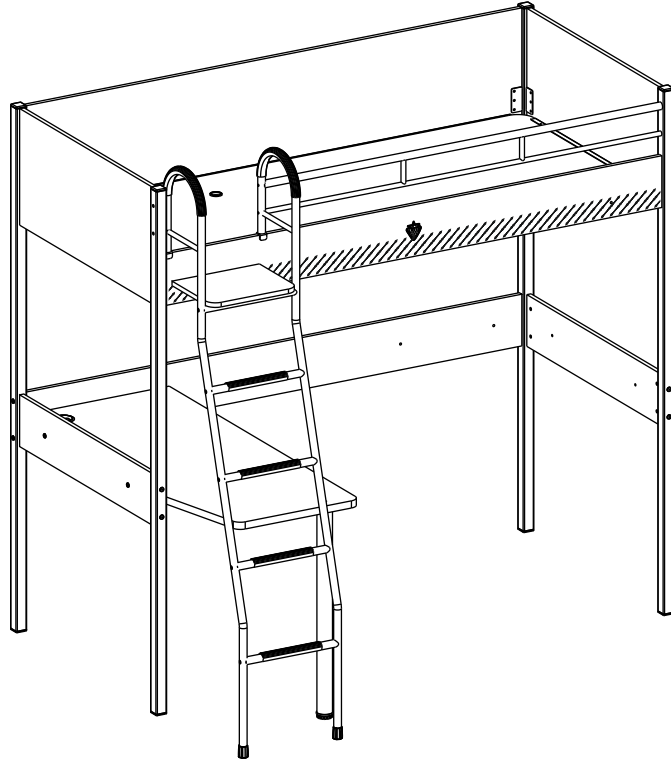
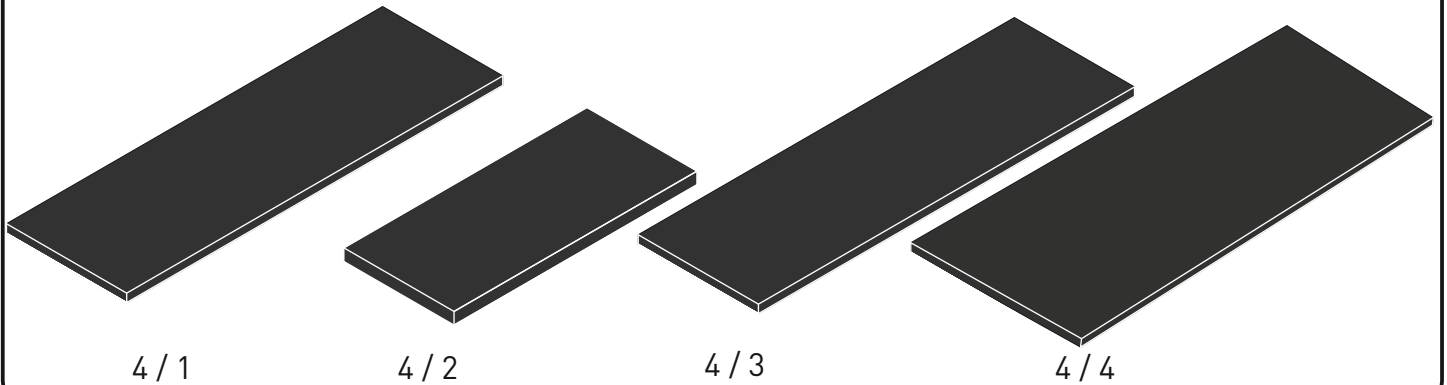
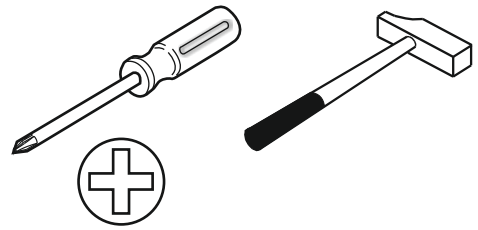
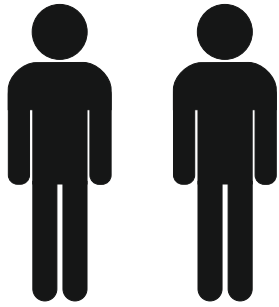


20.58.1402.00



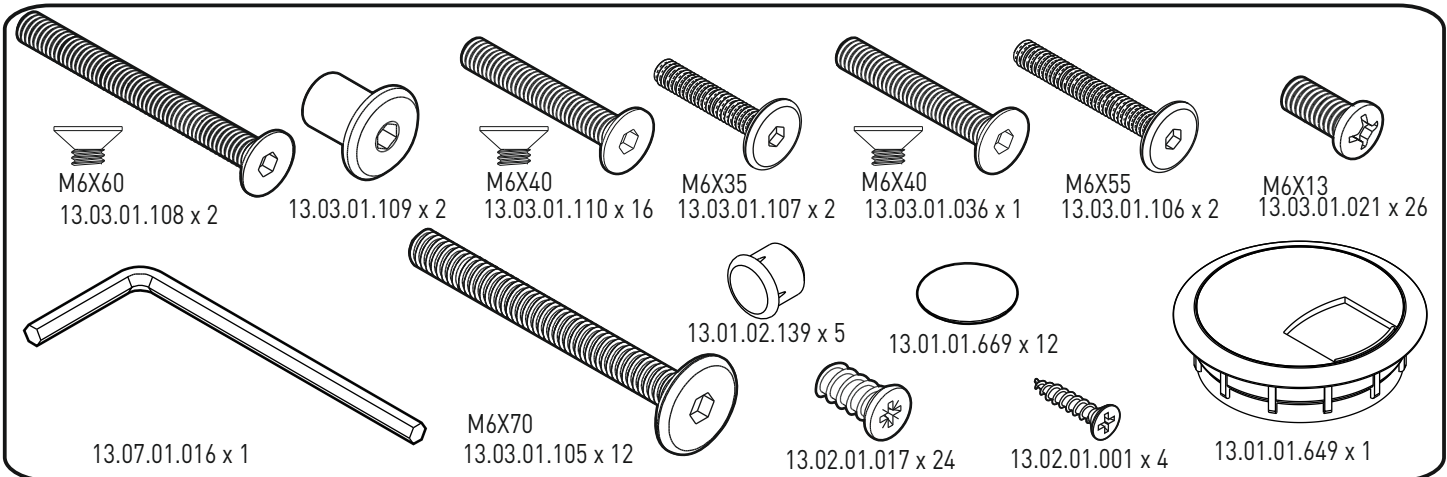


4 / 1

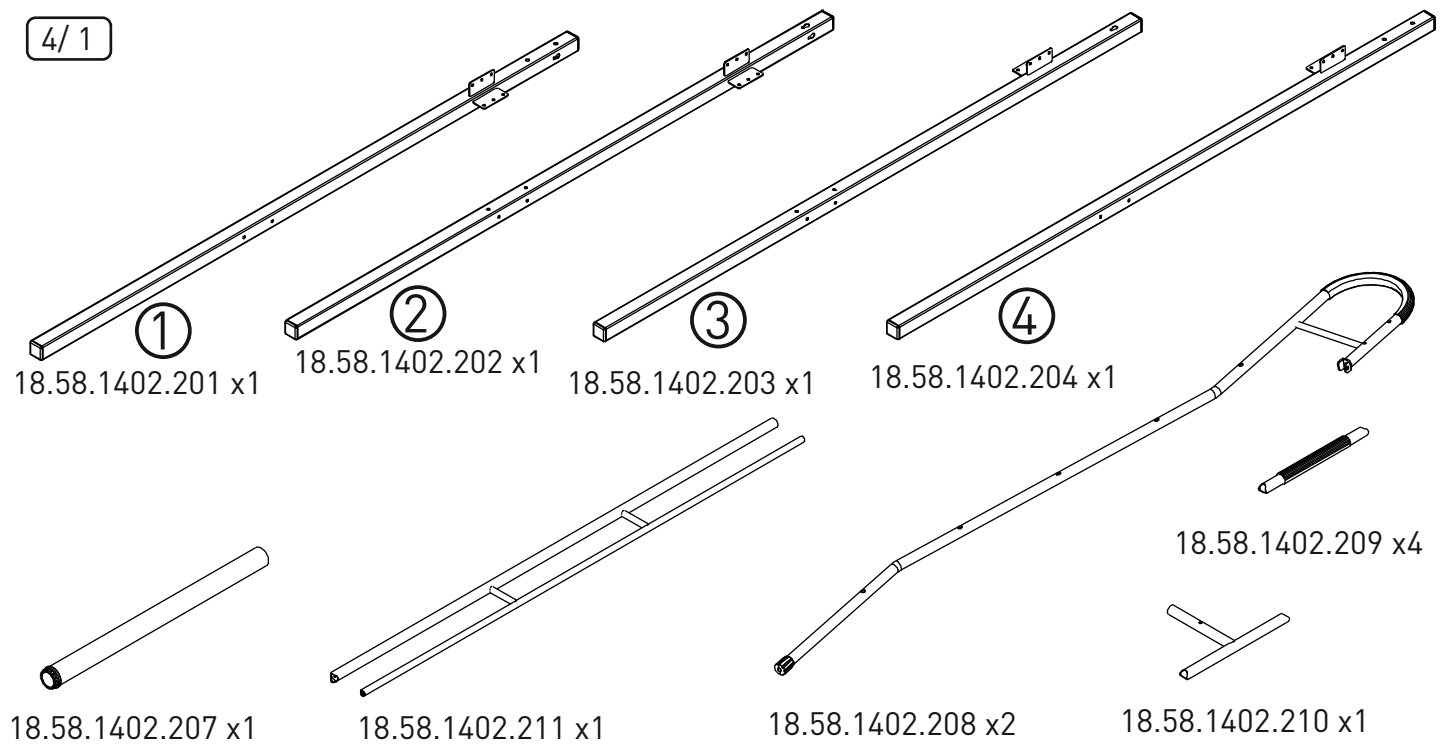
4 / 2

4 / 3

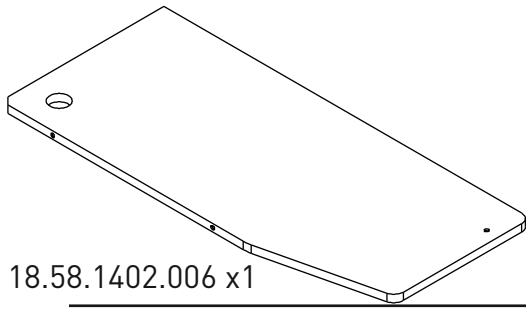
4 / 4



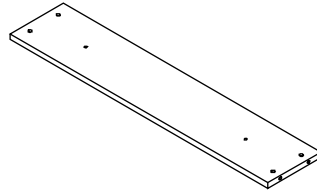
4 / 1



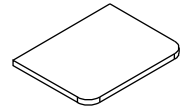
4/2



18.58.1402.006 x1

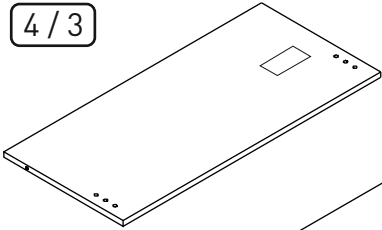


18.58.1402.005 x2

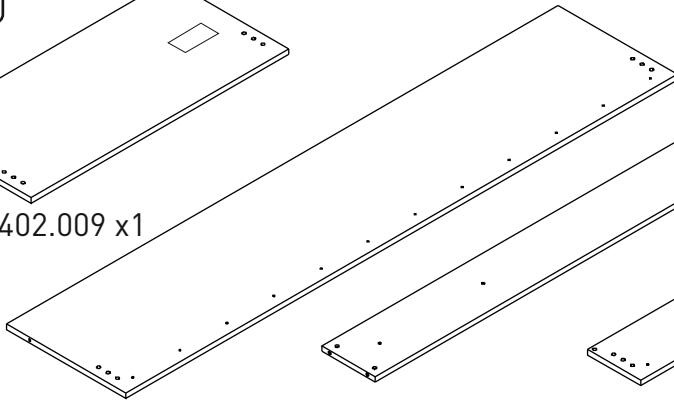


18.58.1402.007 x1

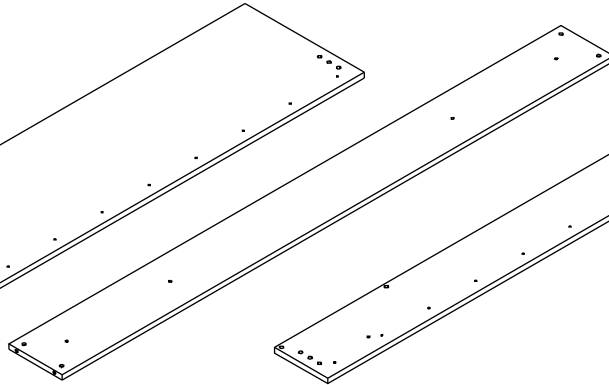
4/3



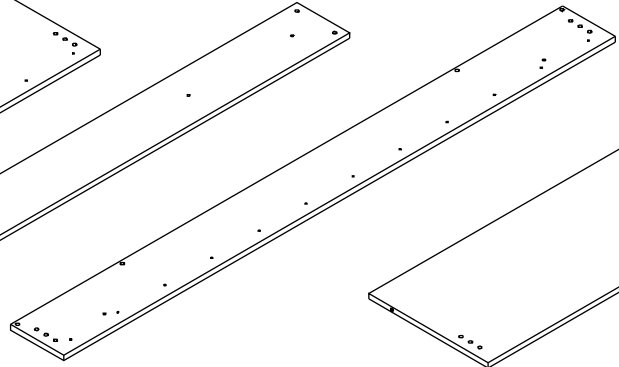
18.58.1402.009 x1



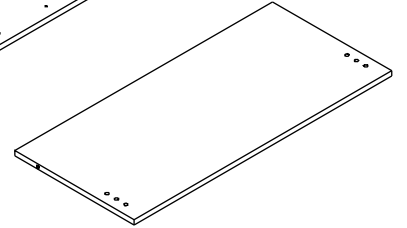
18.58.1402.003 x1



18.58.1402.004 x1

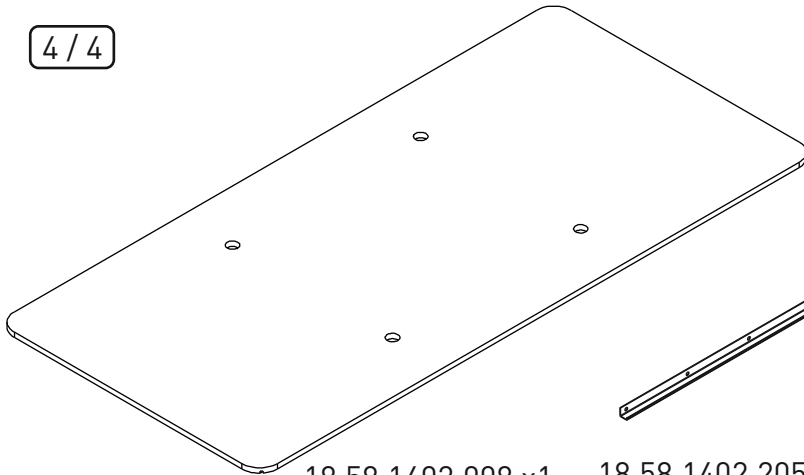


18.58.1402.002 x1

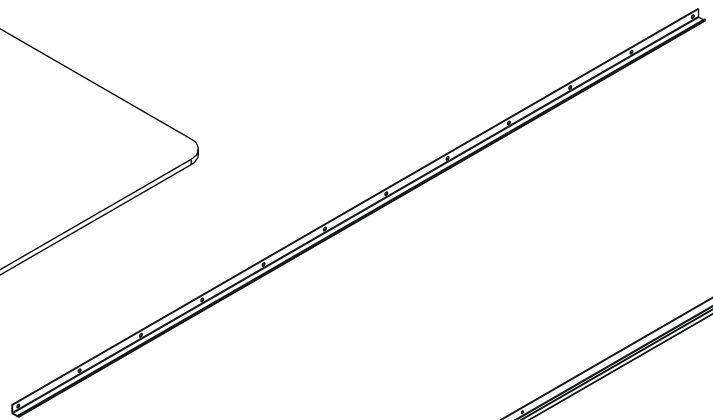


18.58.1402.001 x1

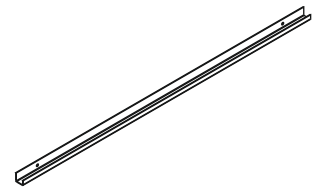
4/4



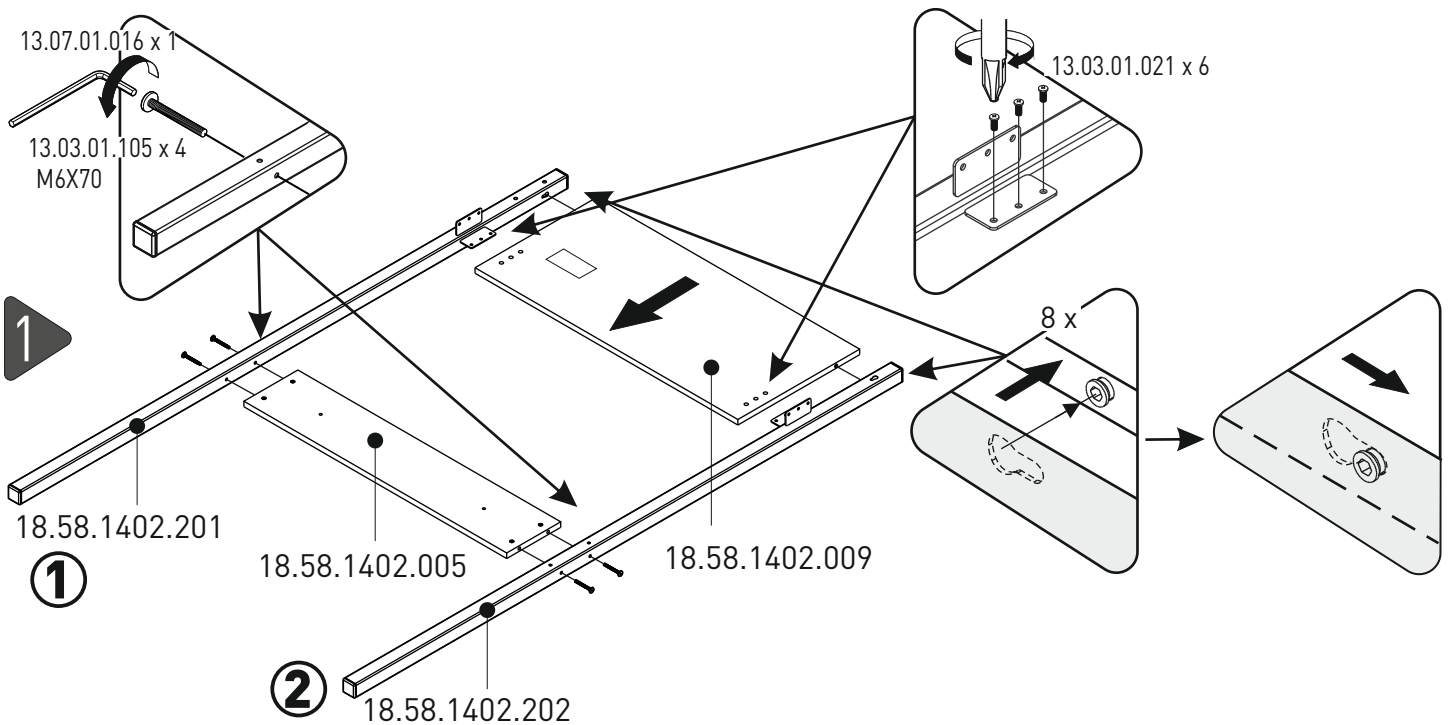
18.58.1402.008 x1

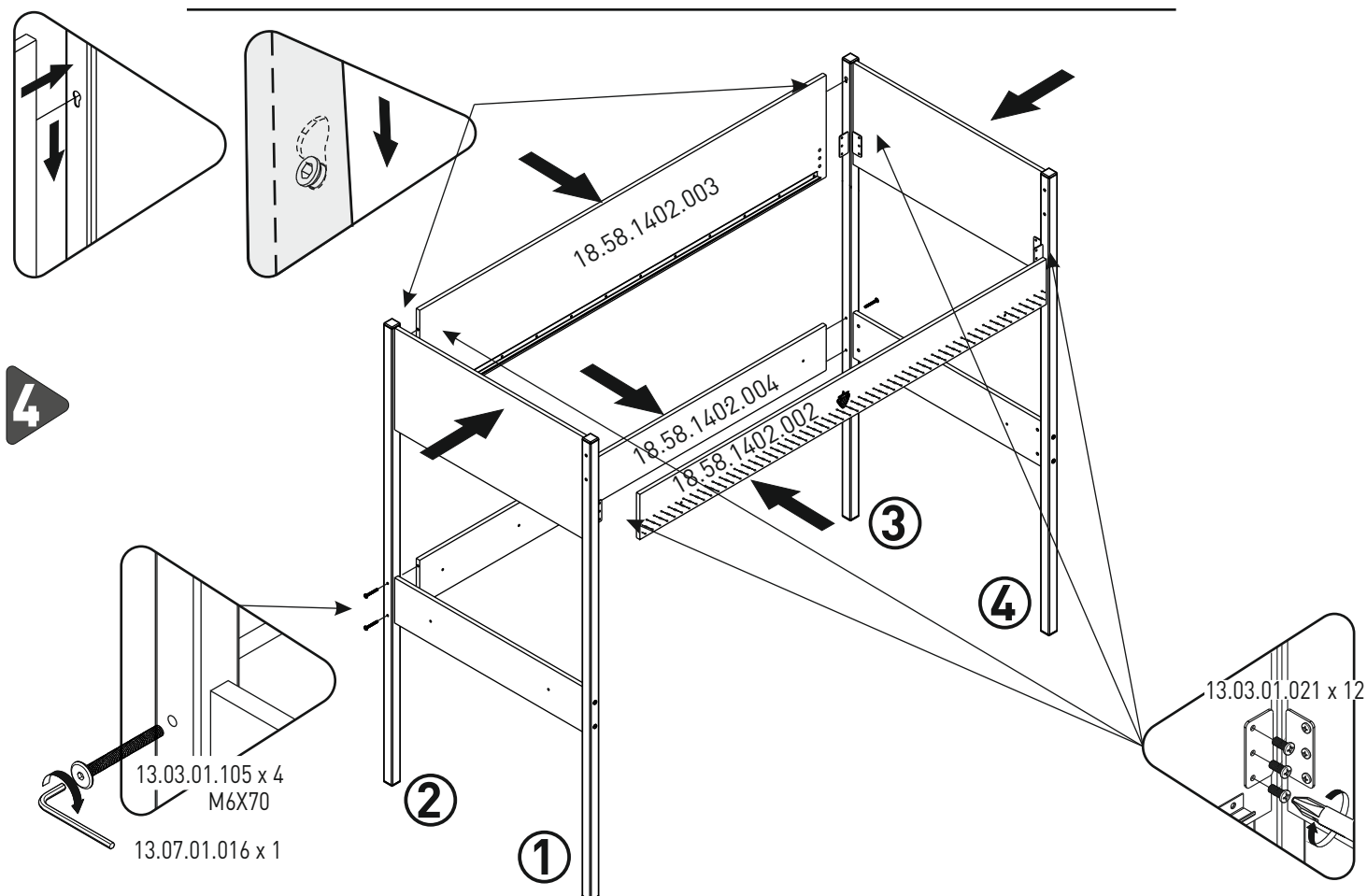
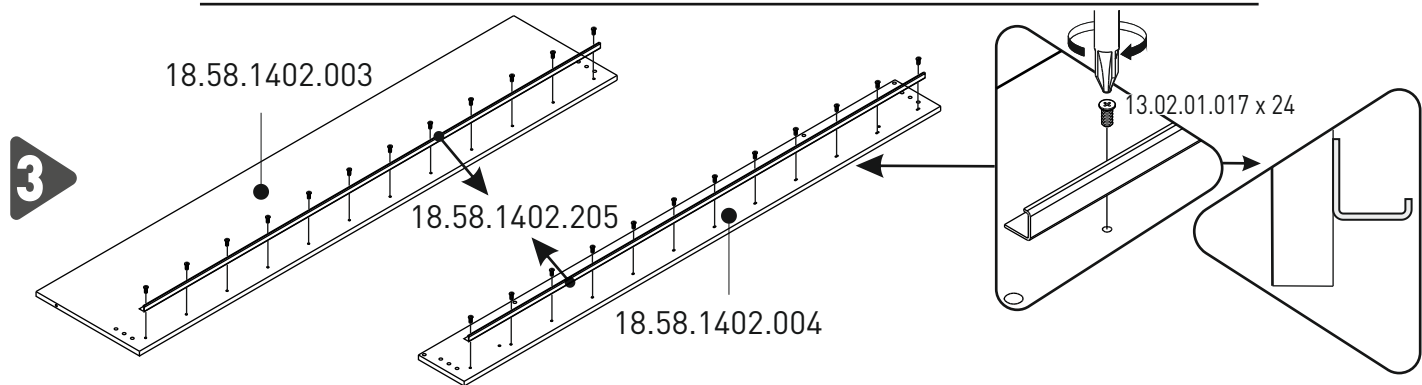
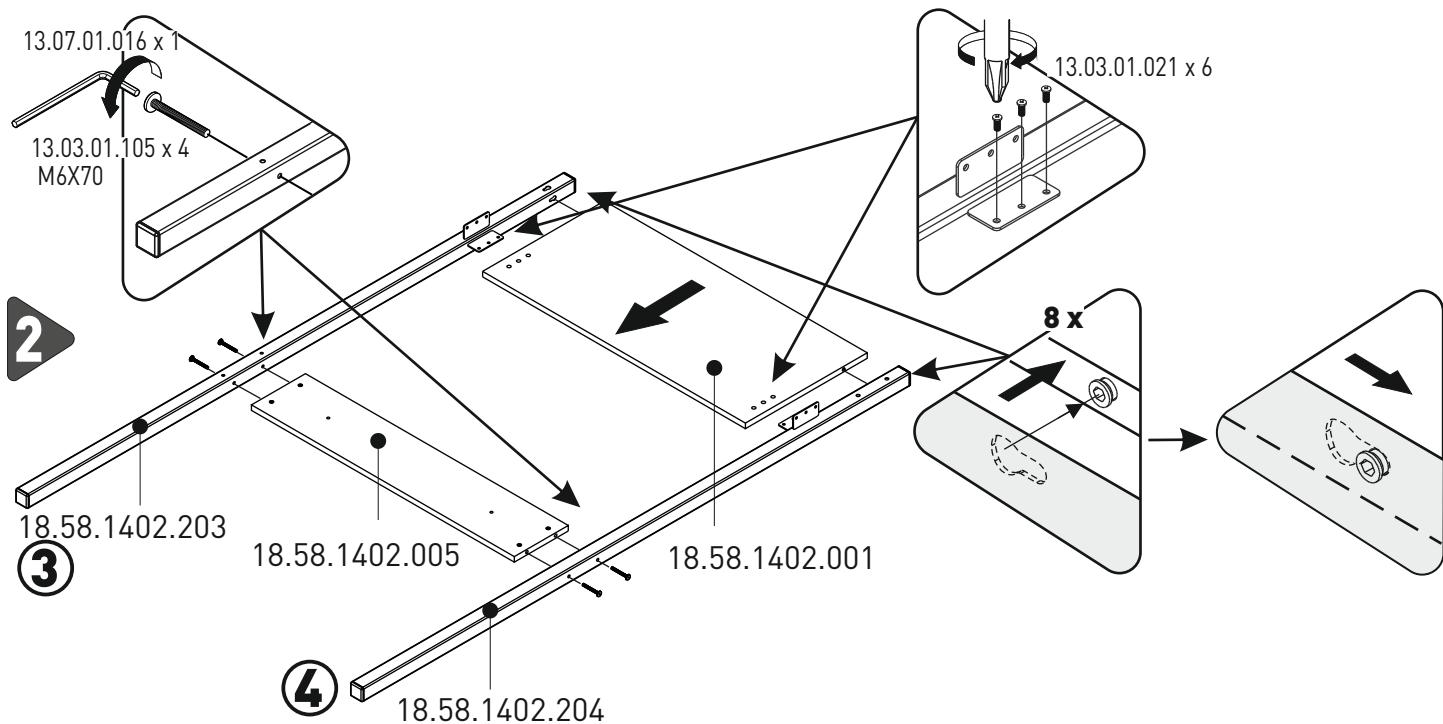


18.58.1402.205 x2

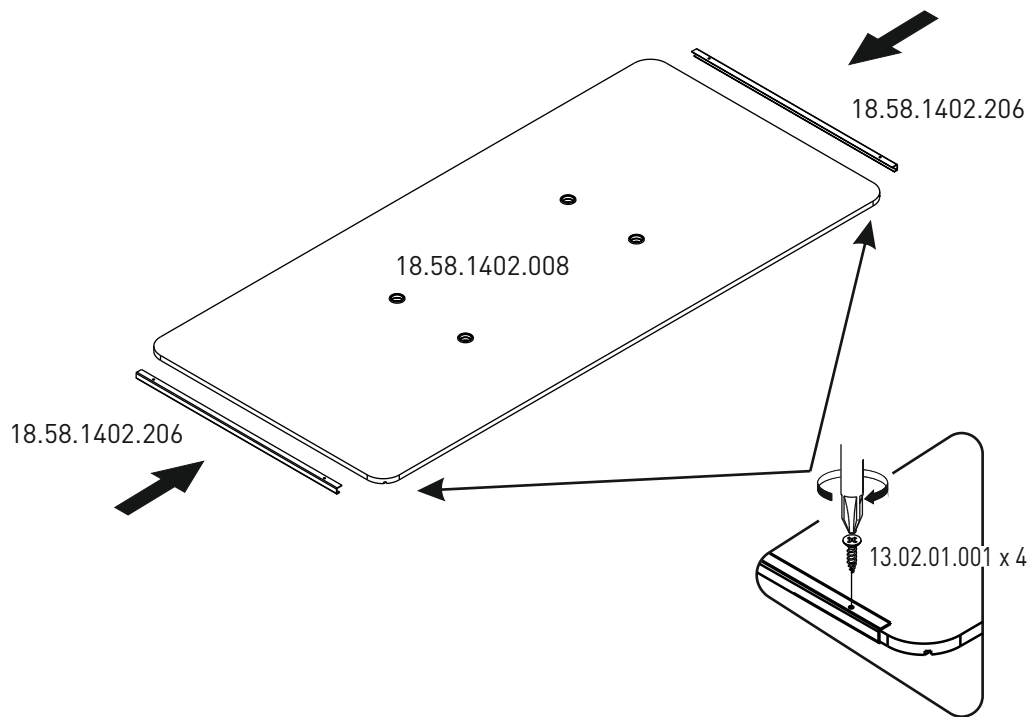


18.58.1402.206 x2

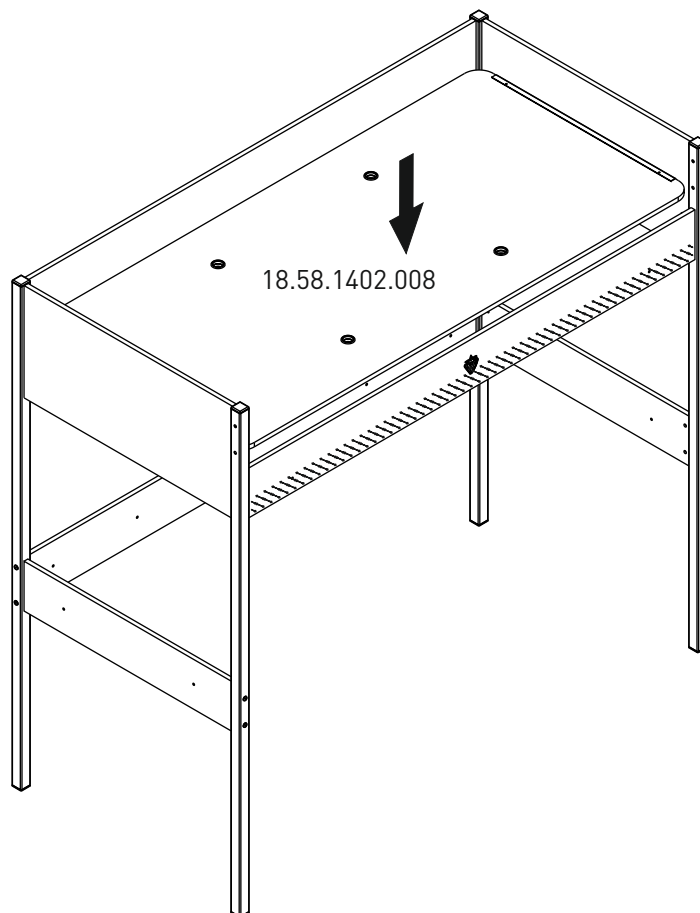


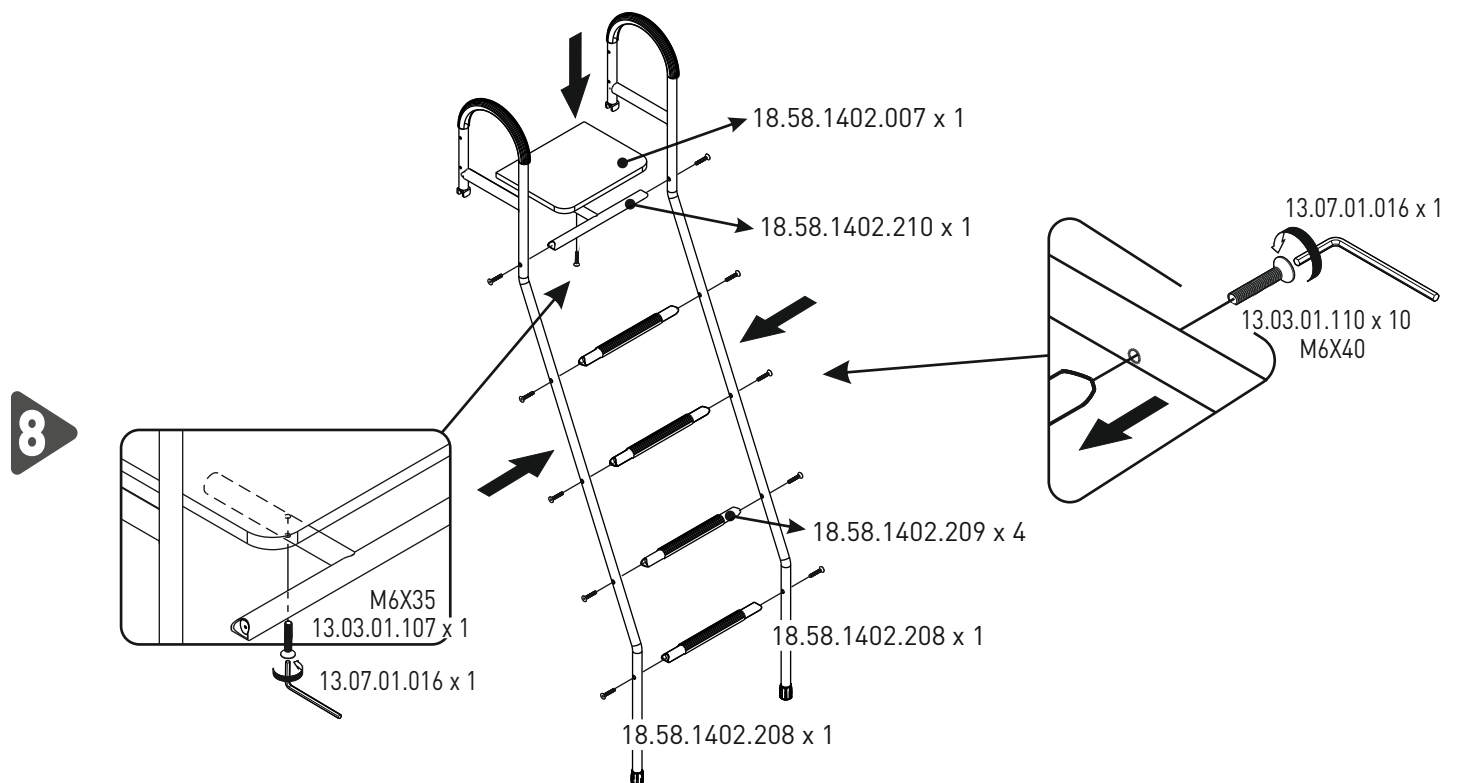
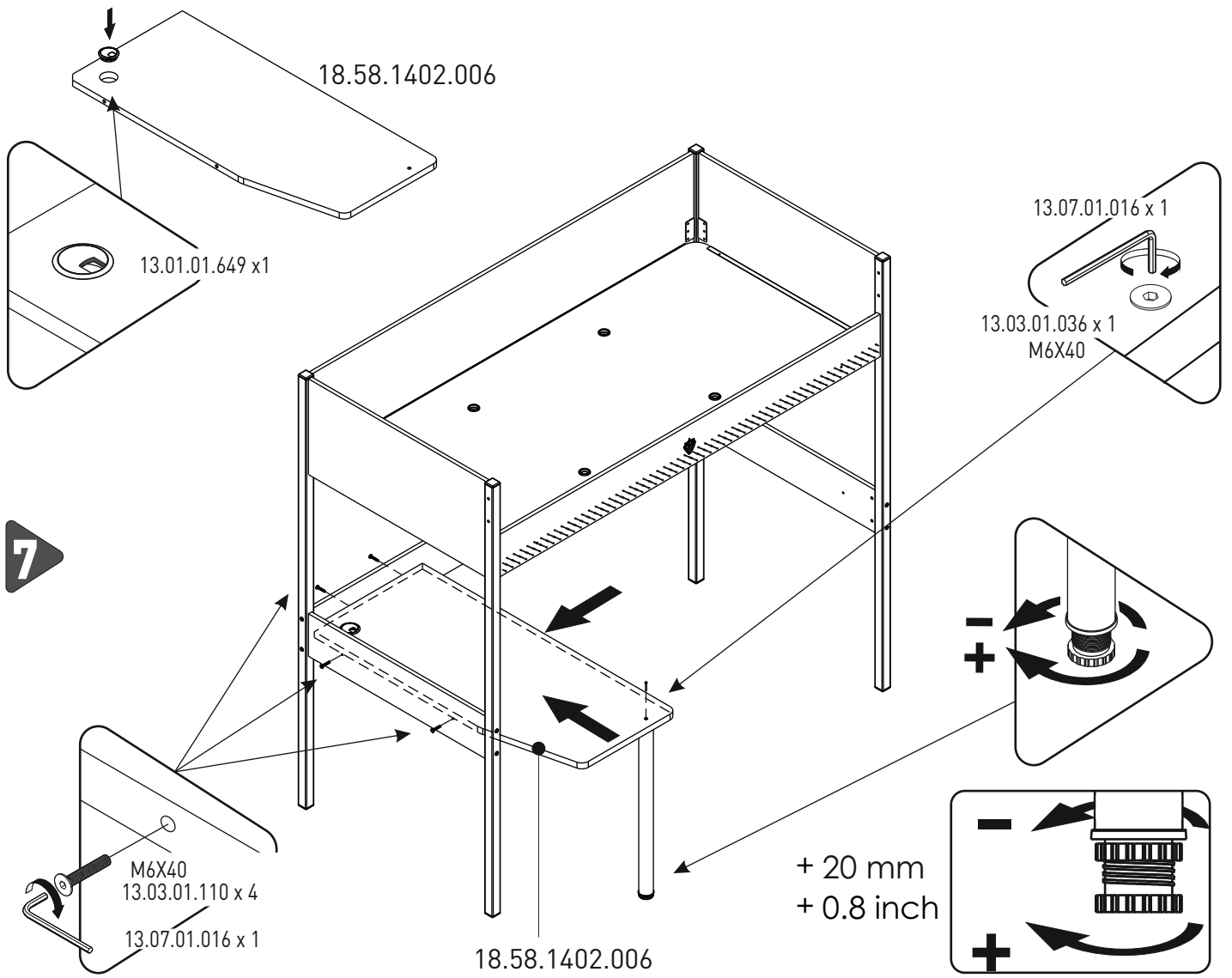


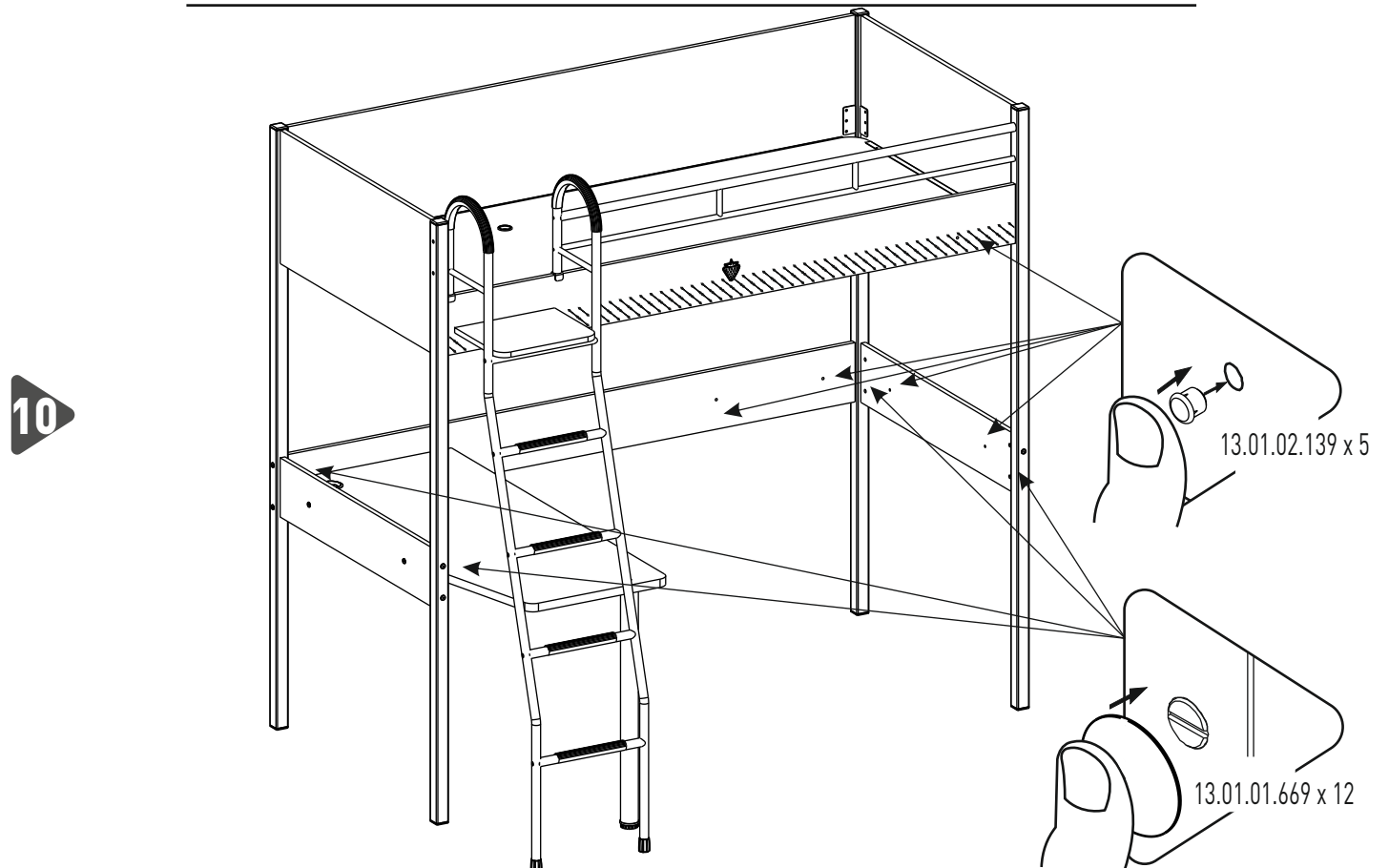
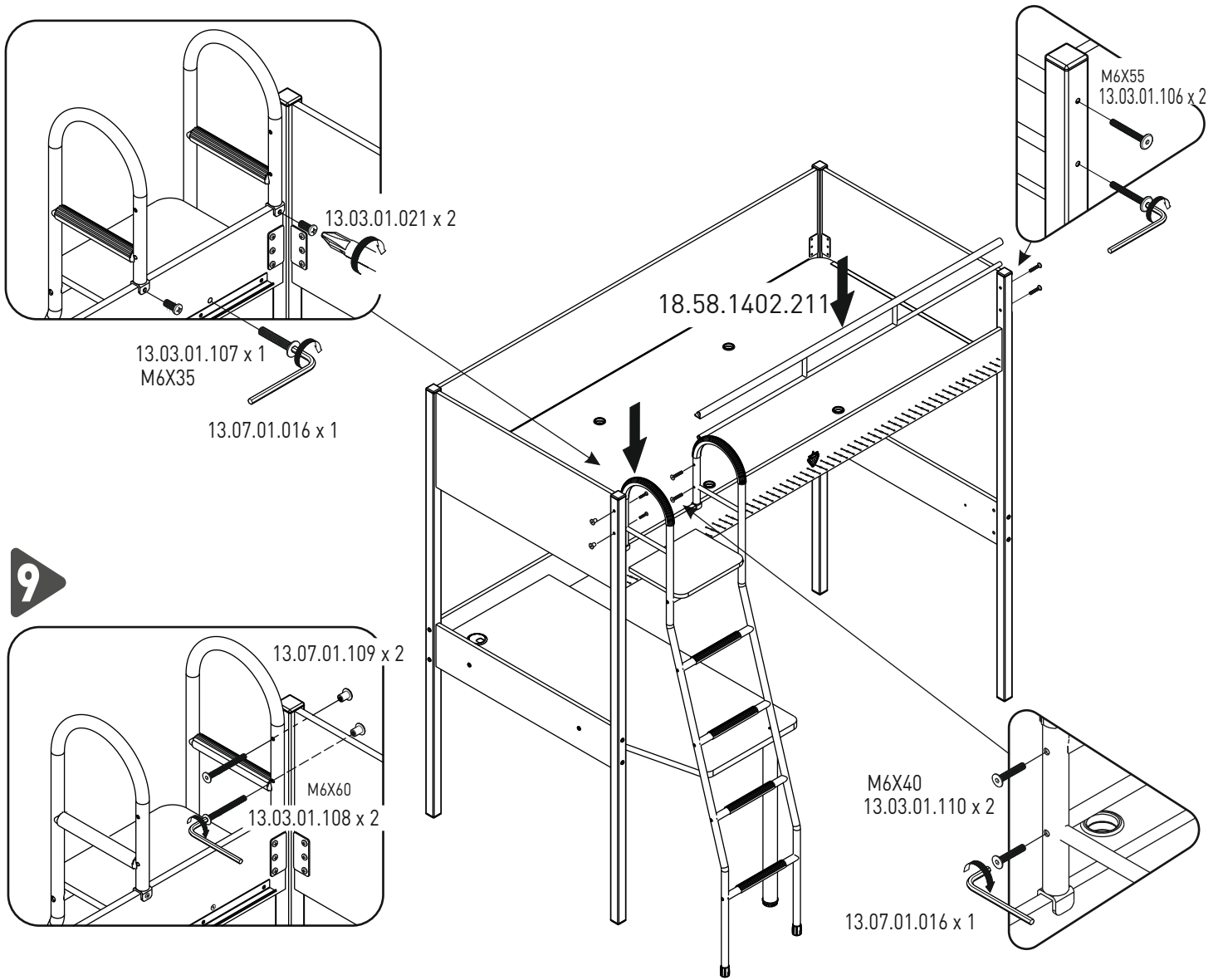
5

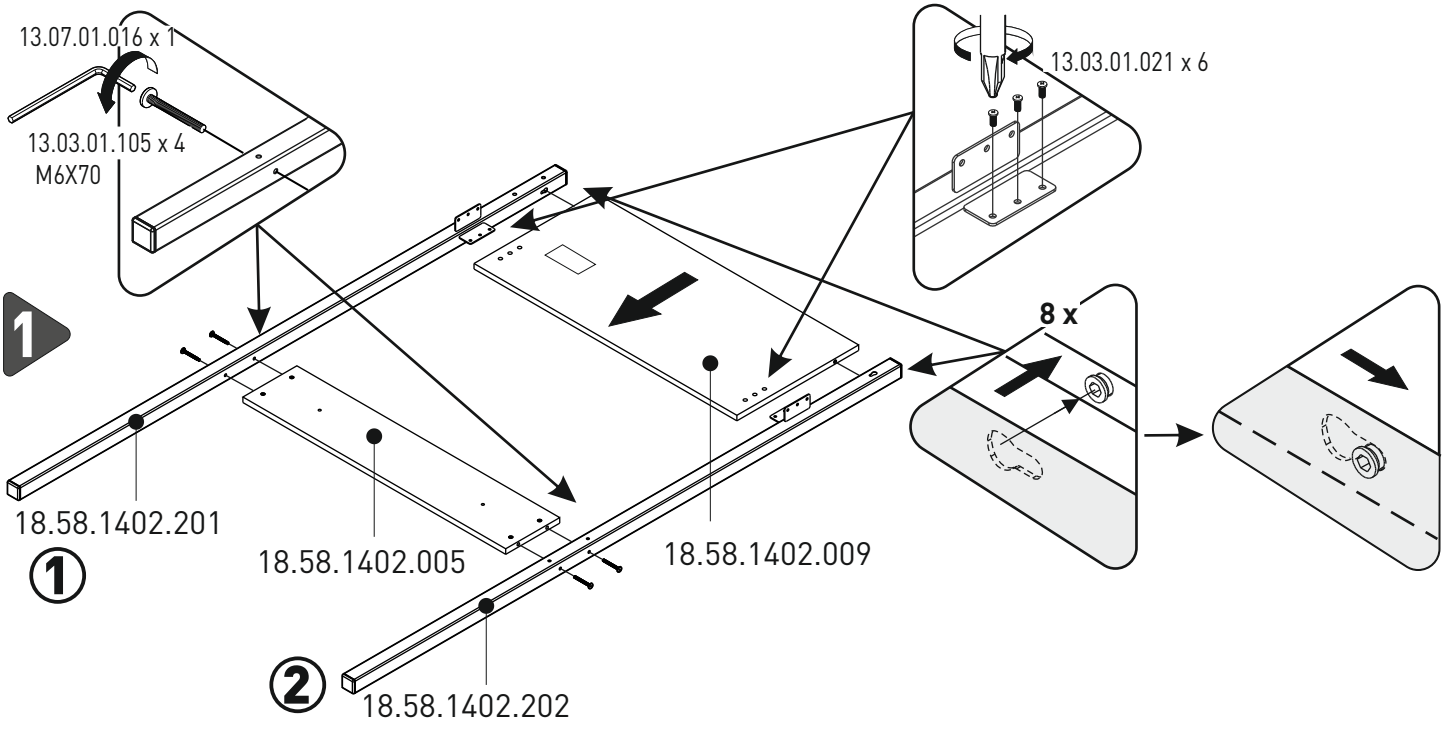
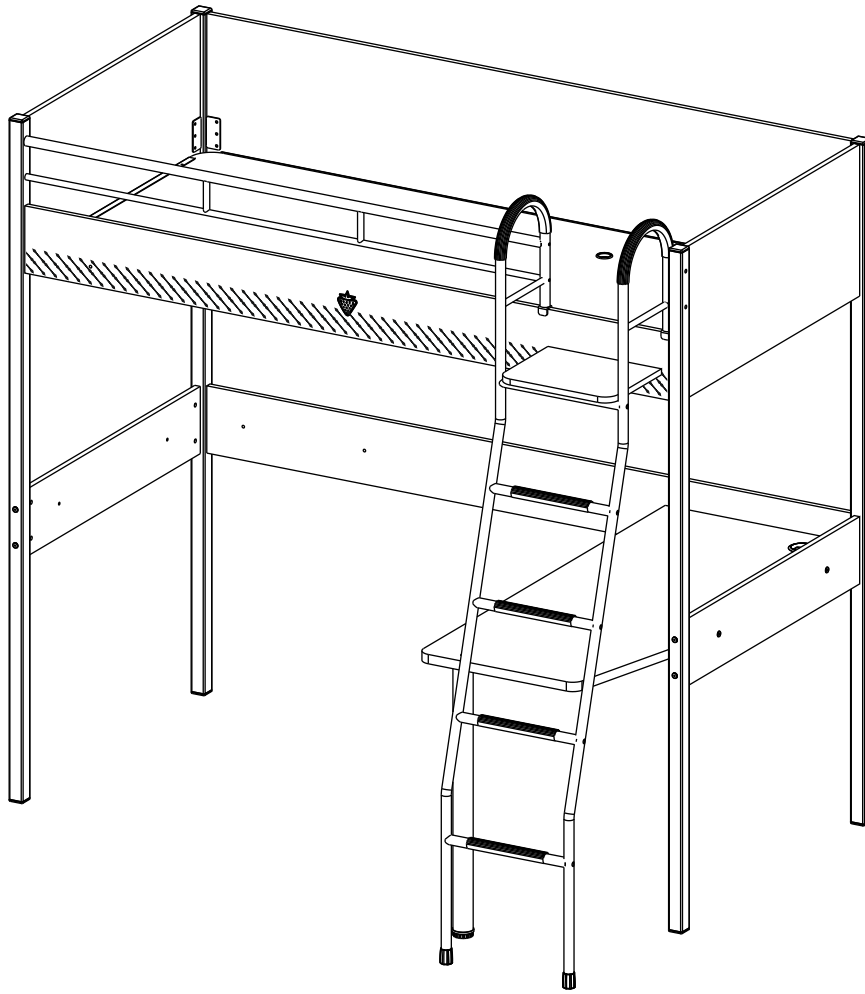


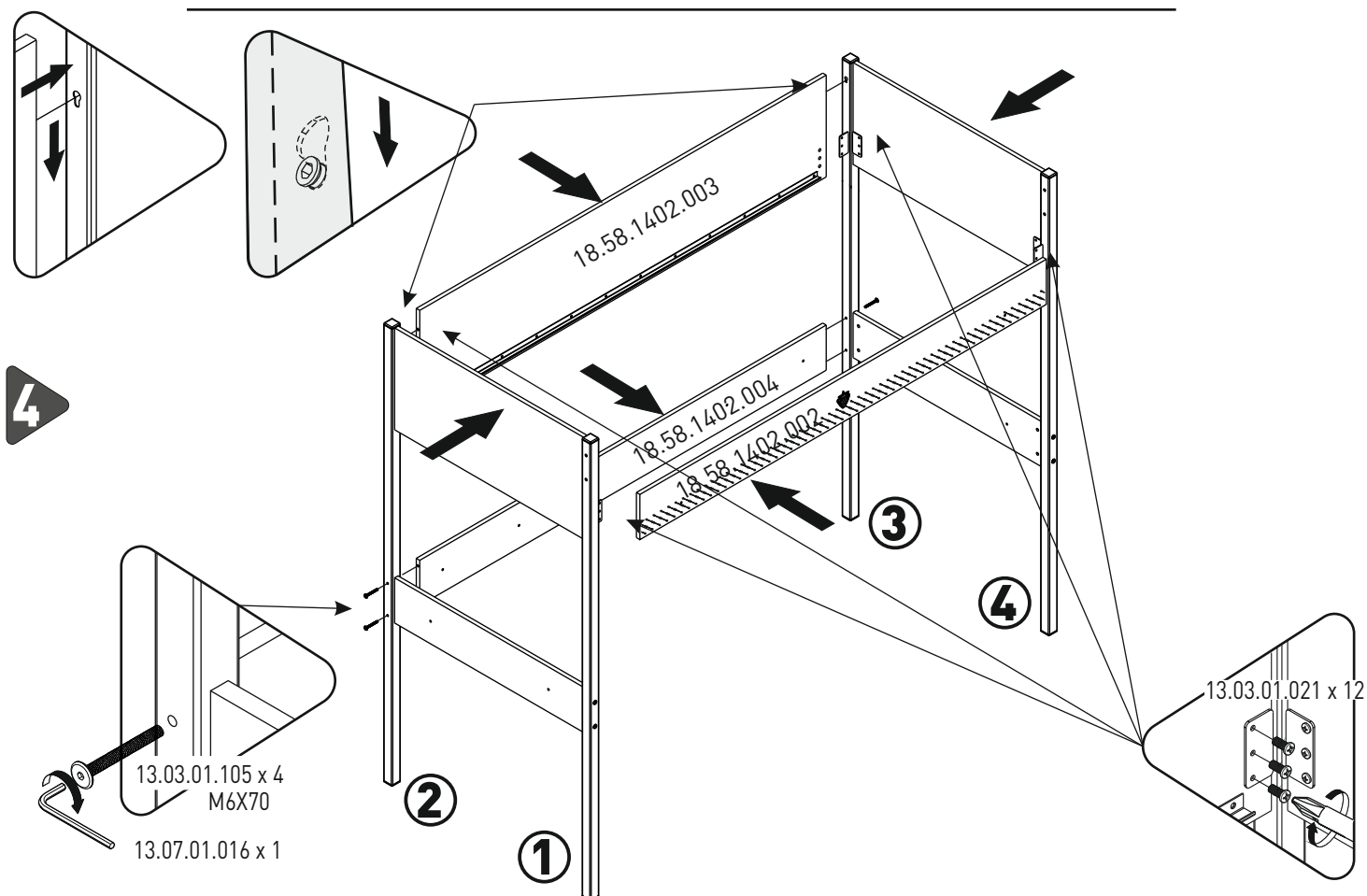
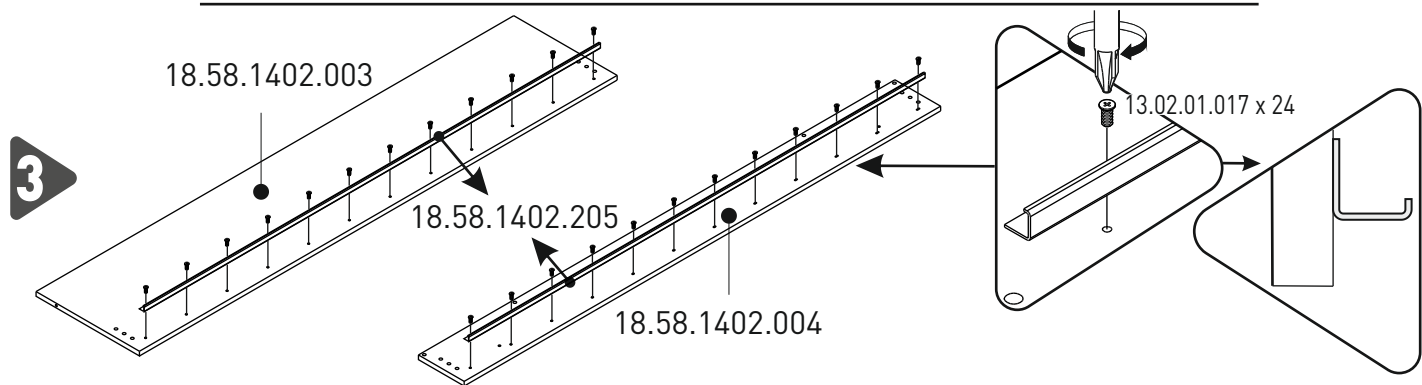
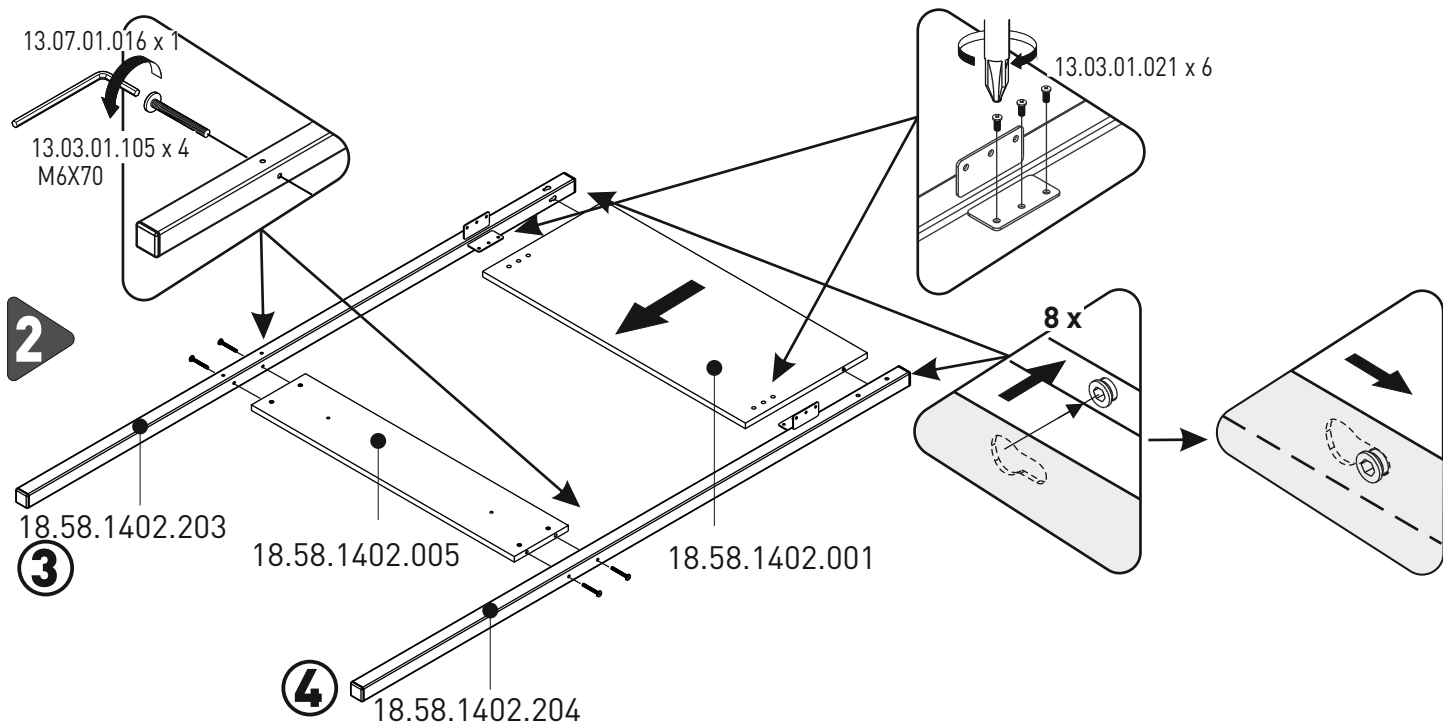
6



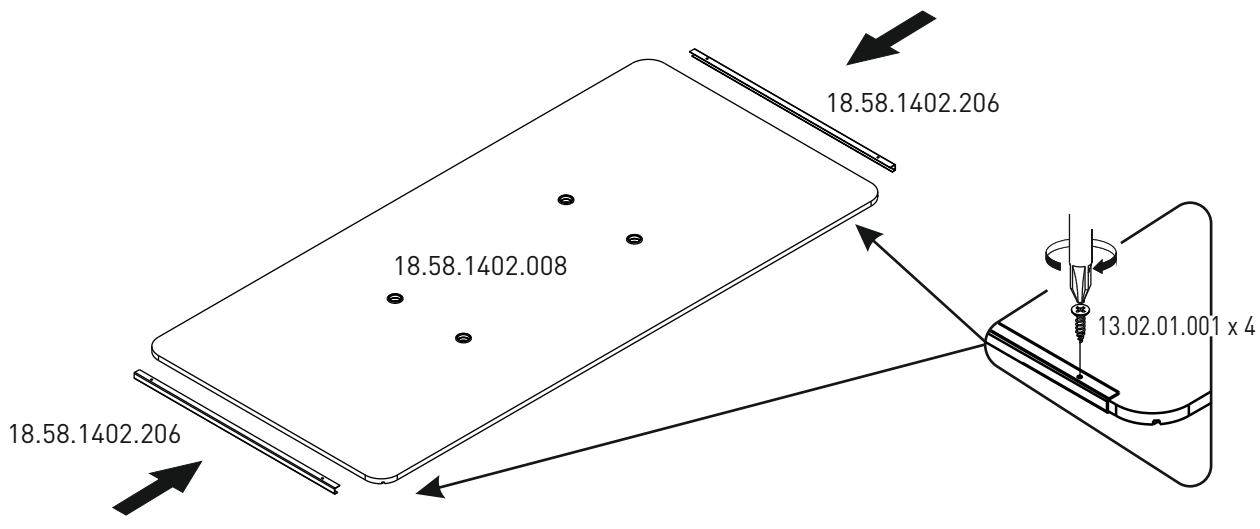




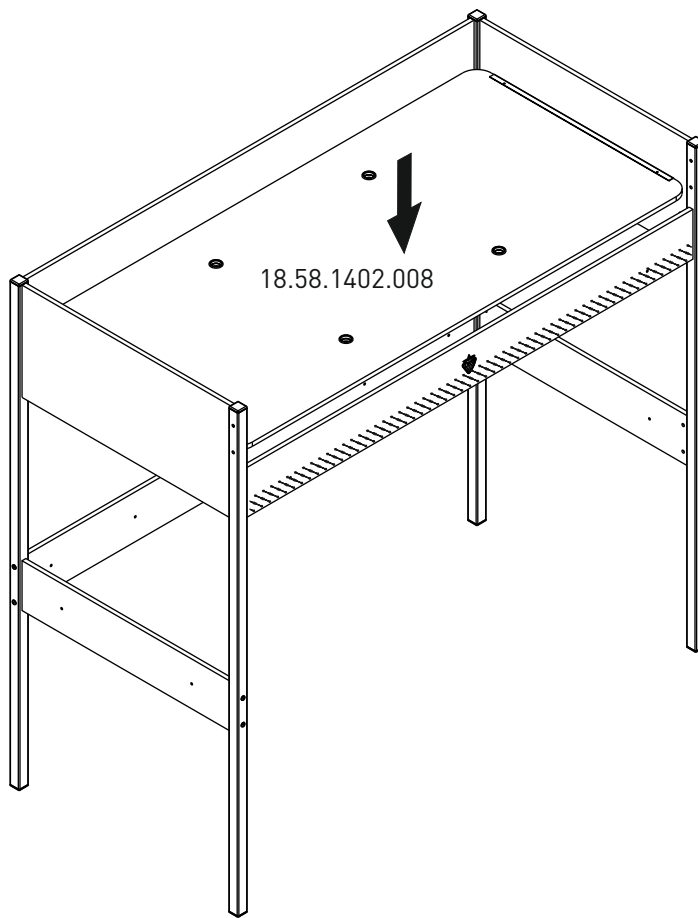




5



6



7

