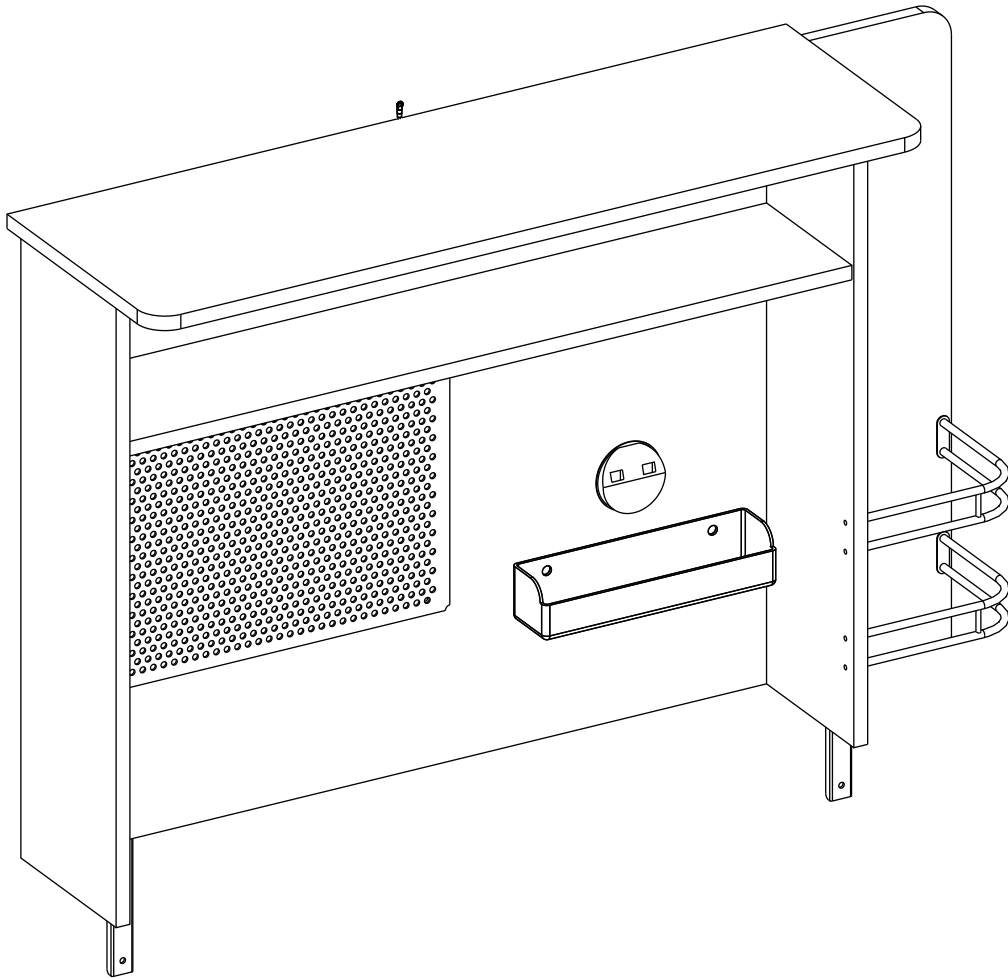
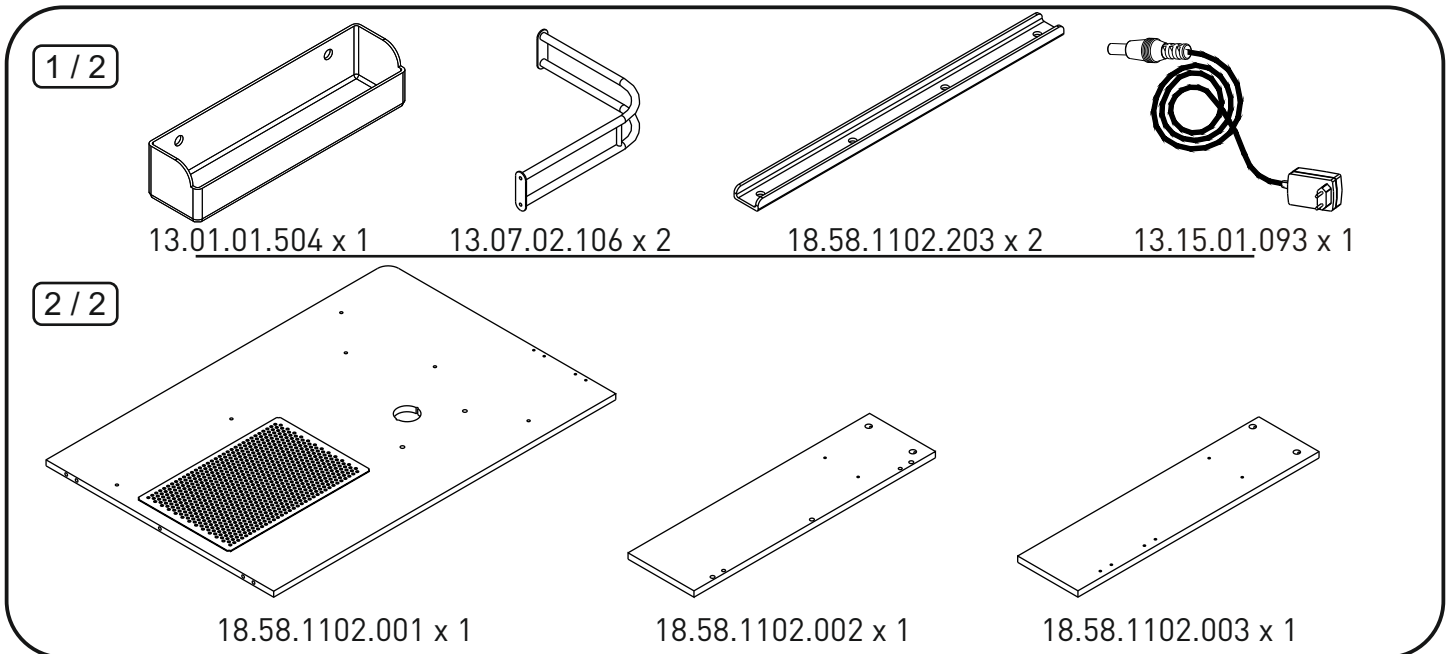
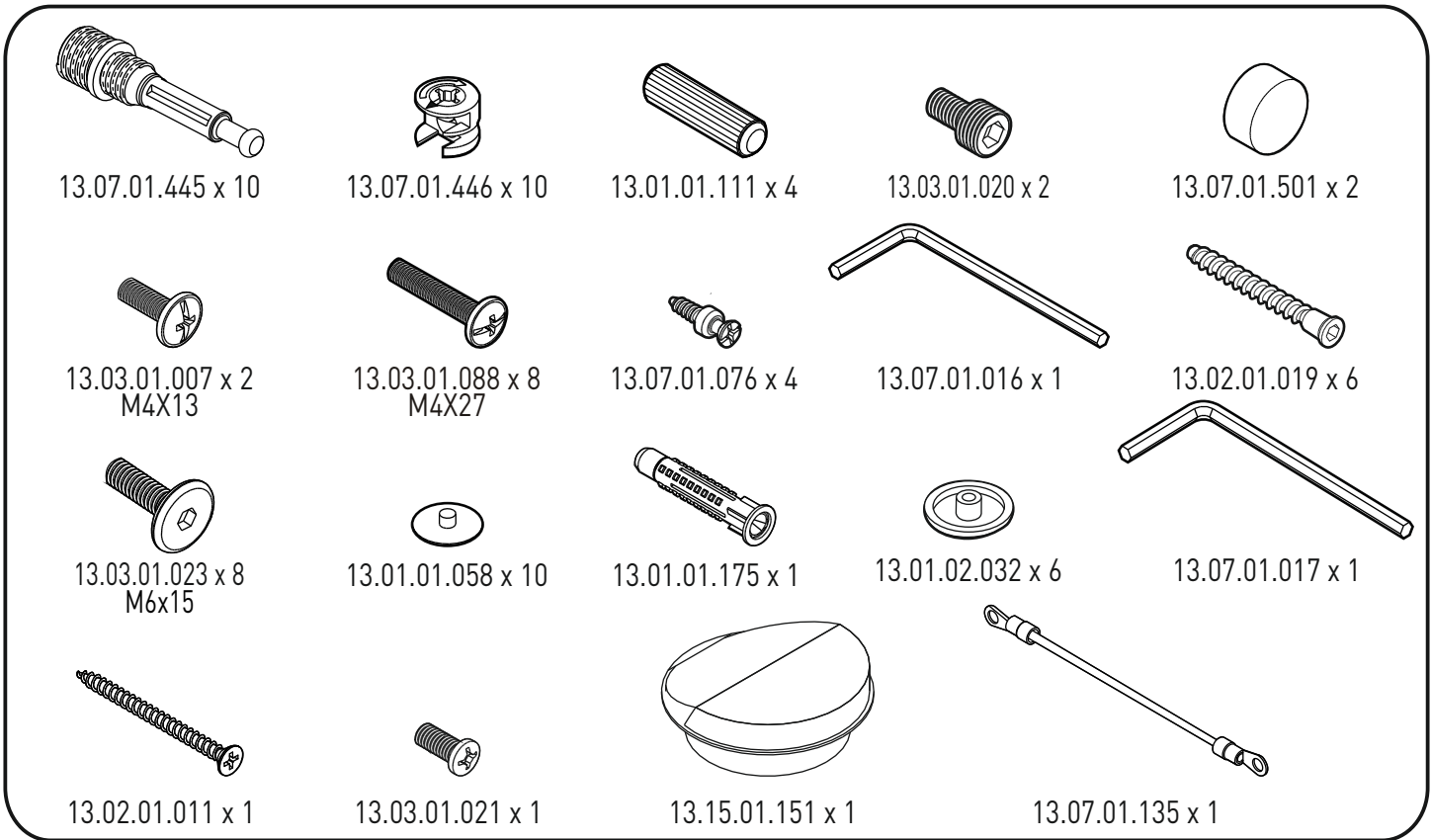
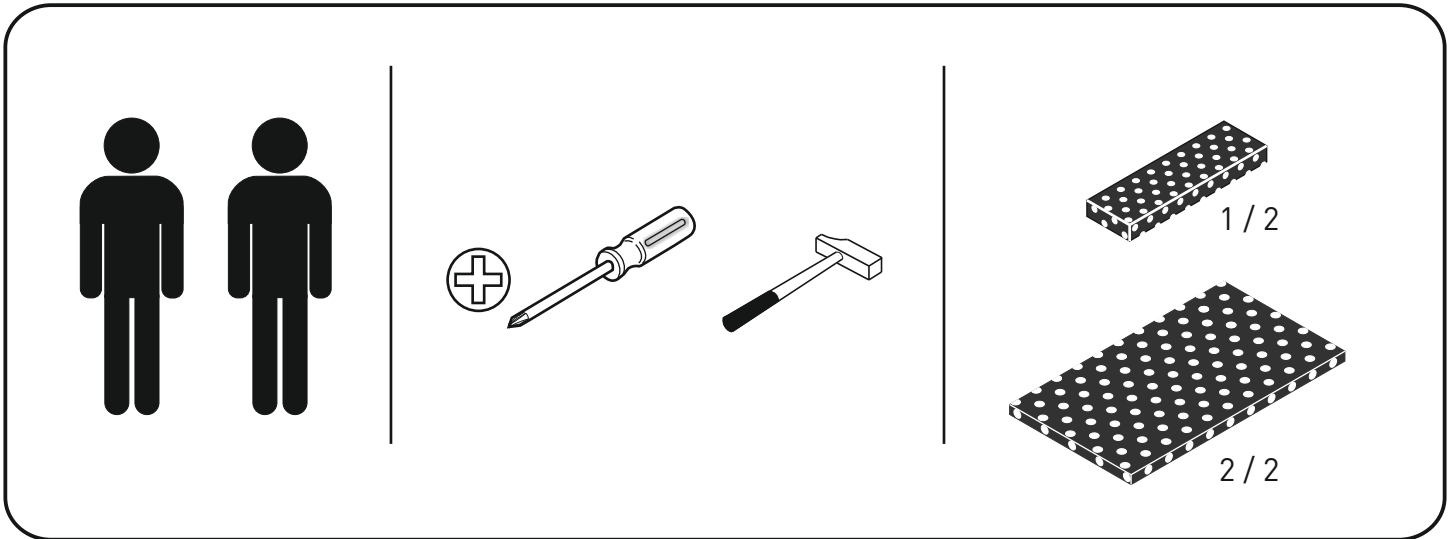
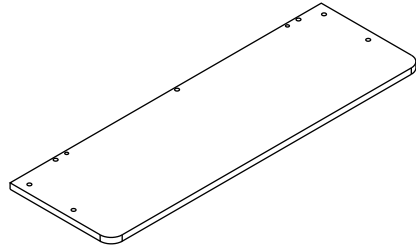


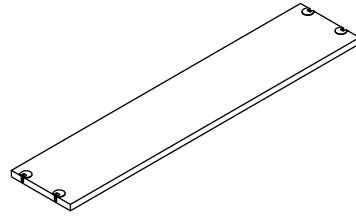
20.58.1102.00



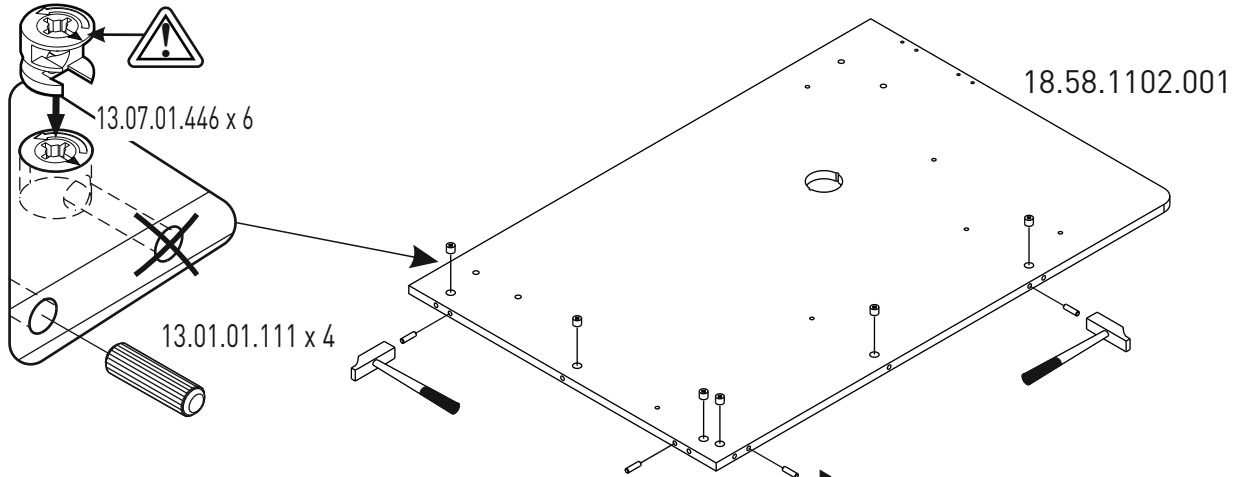




18.58.1102.004 x 1



18.58.1102.005 x 1



18.58.1102.001

13.07.01.446 x 6

13.01.01.111 x 4

13.07.01.016 x 1

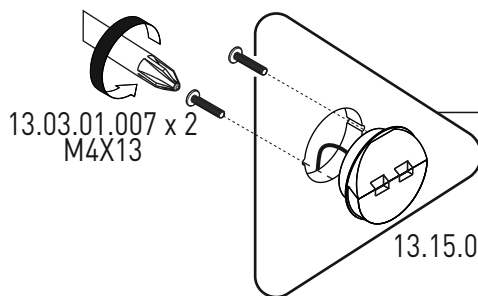
18.58.1102.203 x 2

18.58.1102.001

13.03.01.023 x 4
M6x15

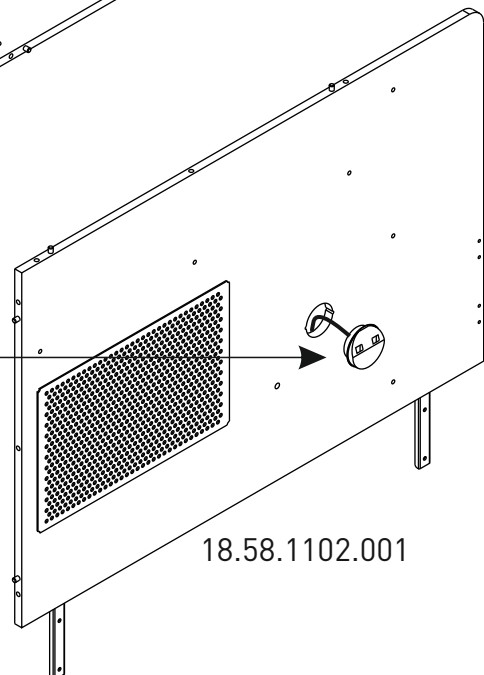
18.58.1102.203 x 2

1



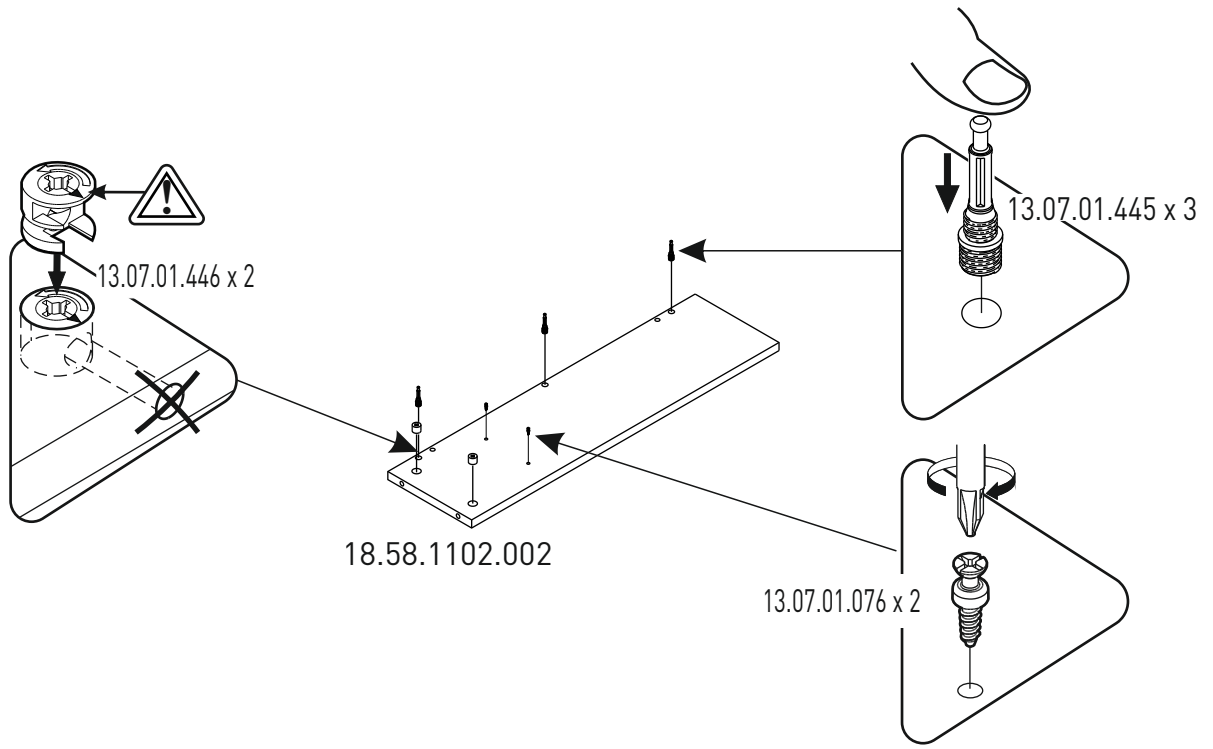
13.03.01.007 x 2
M4x13

13.15.01.151 x 1

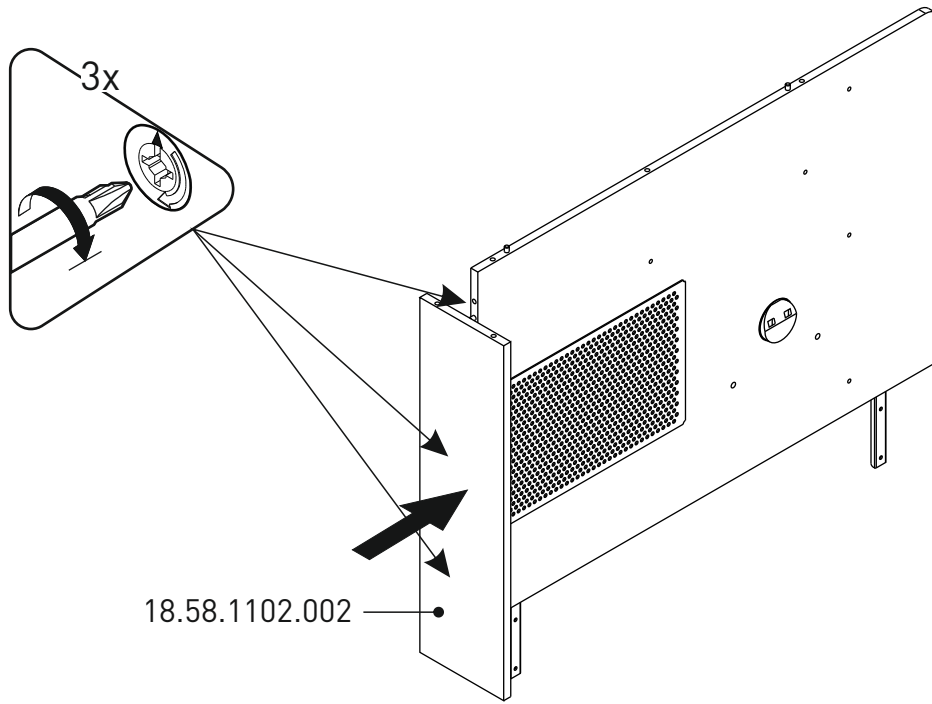


18.58.1102.001

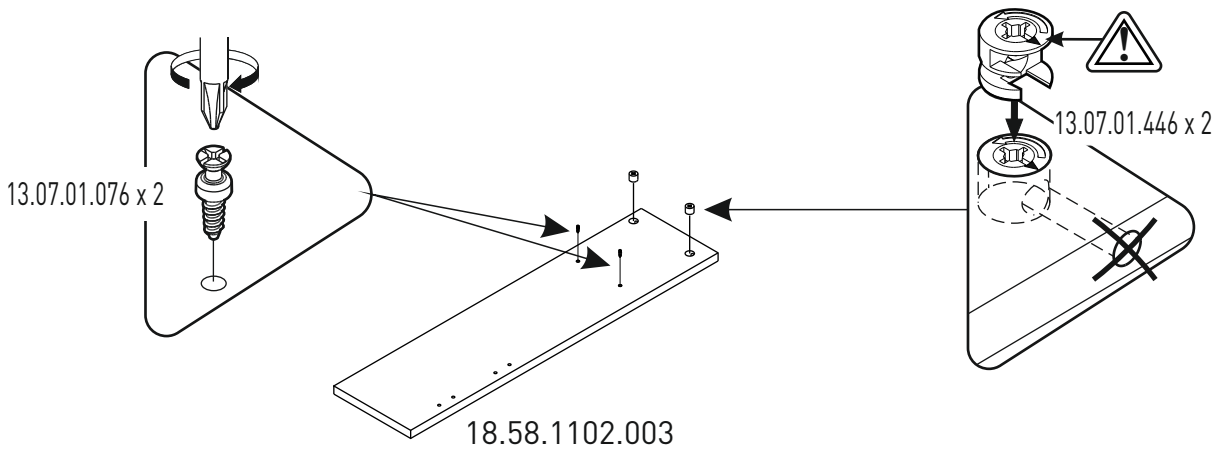
2



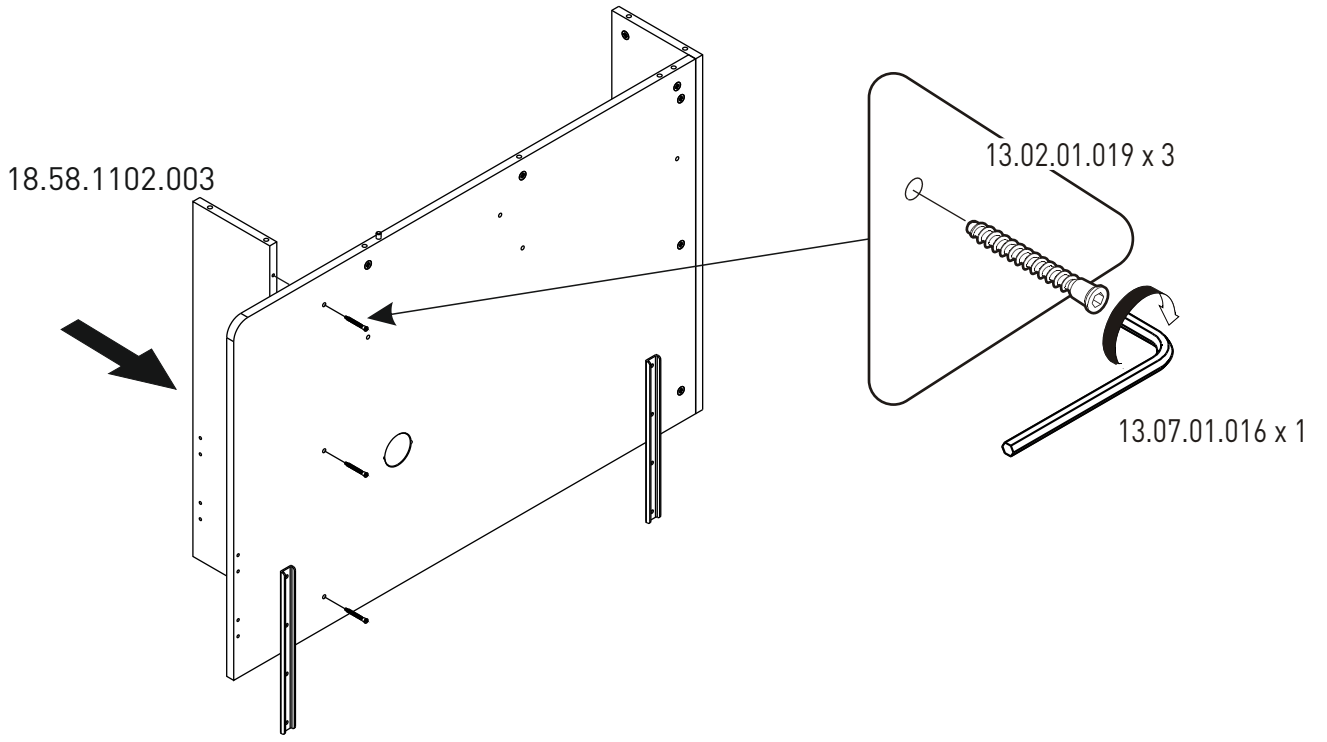
3



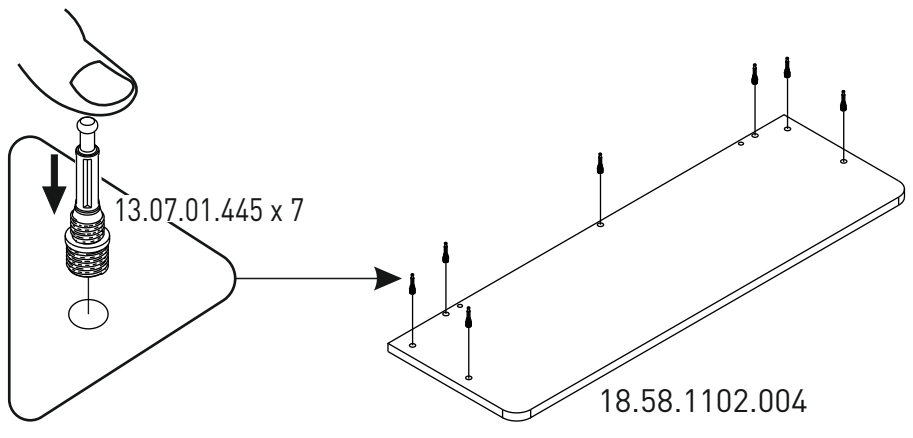
4



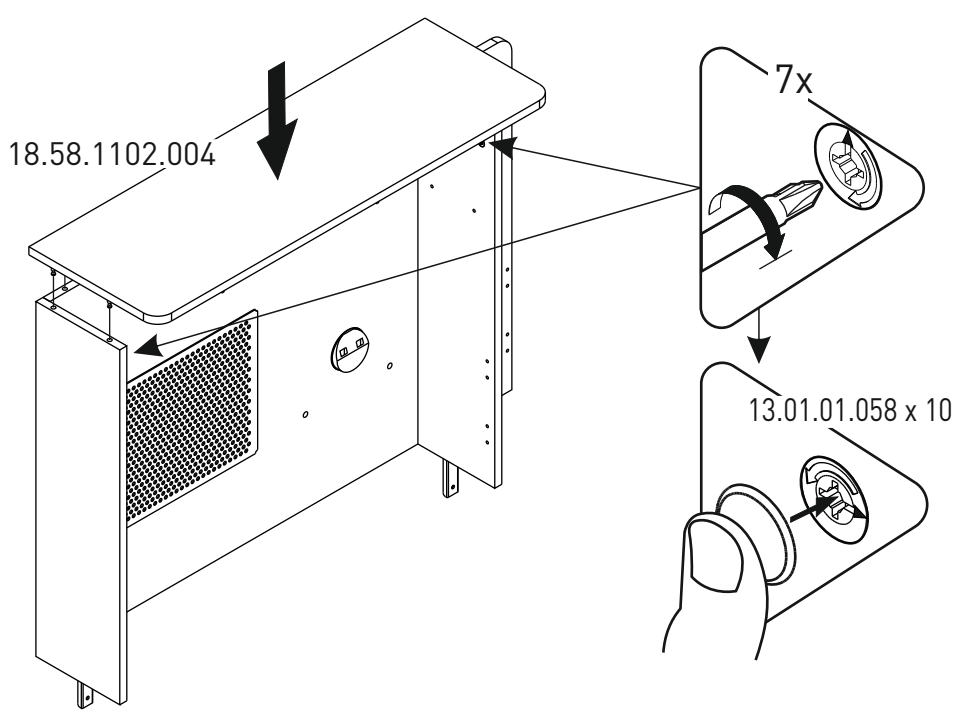
5



6

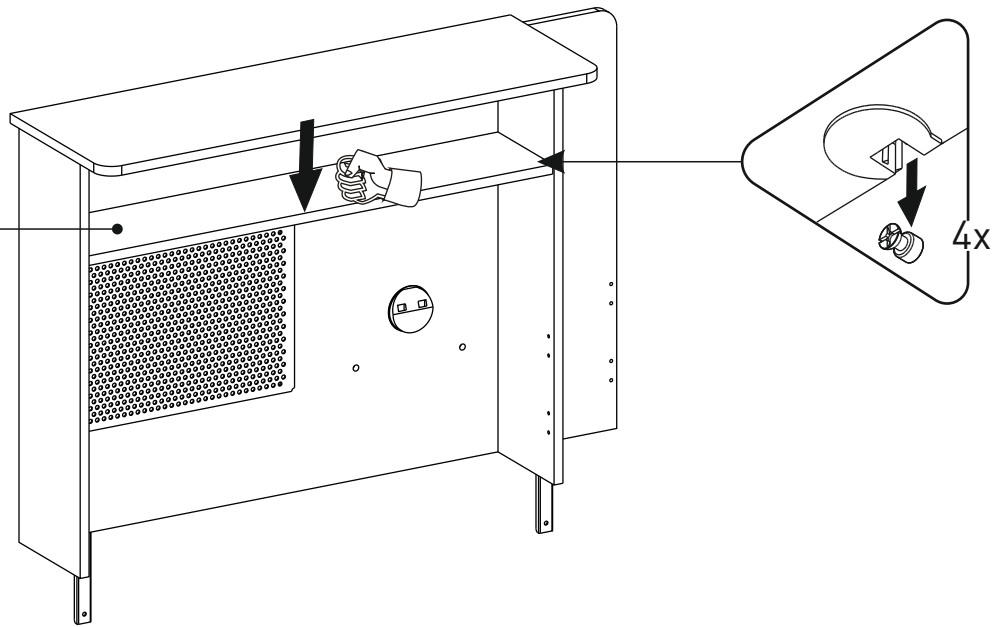


7

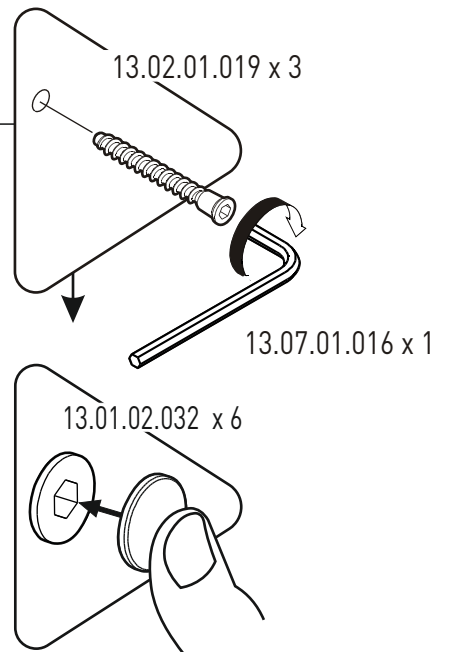
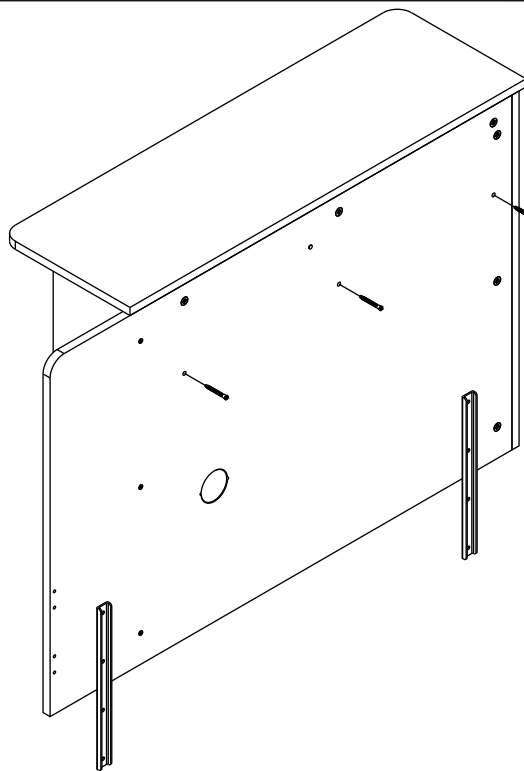


8

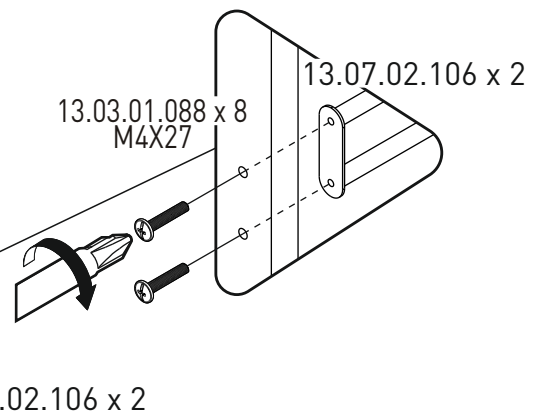
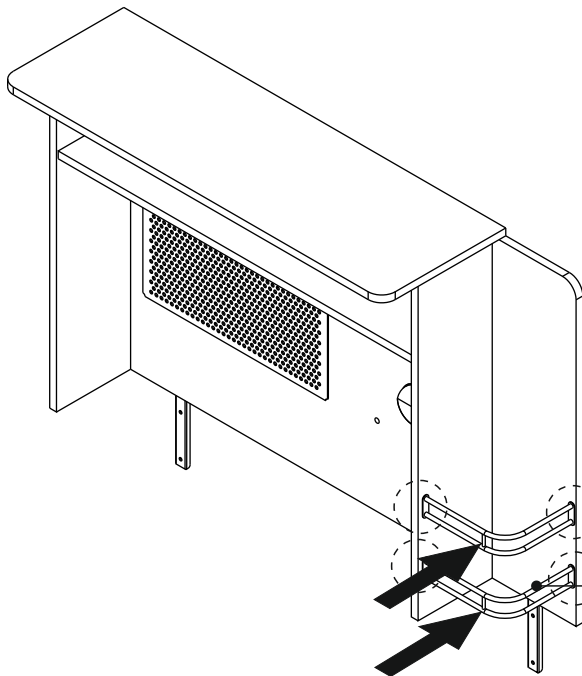
18.58.1102.005



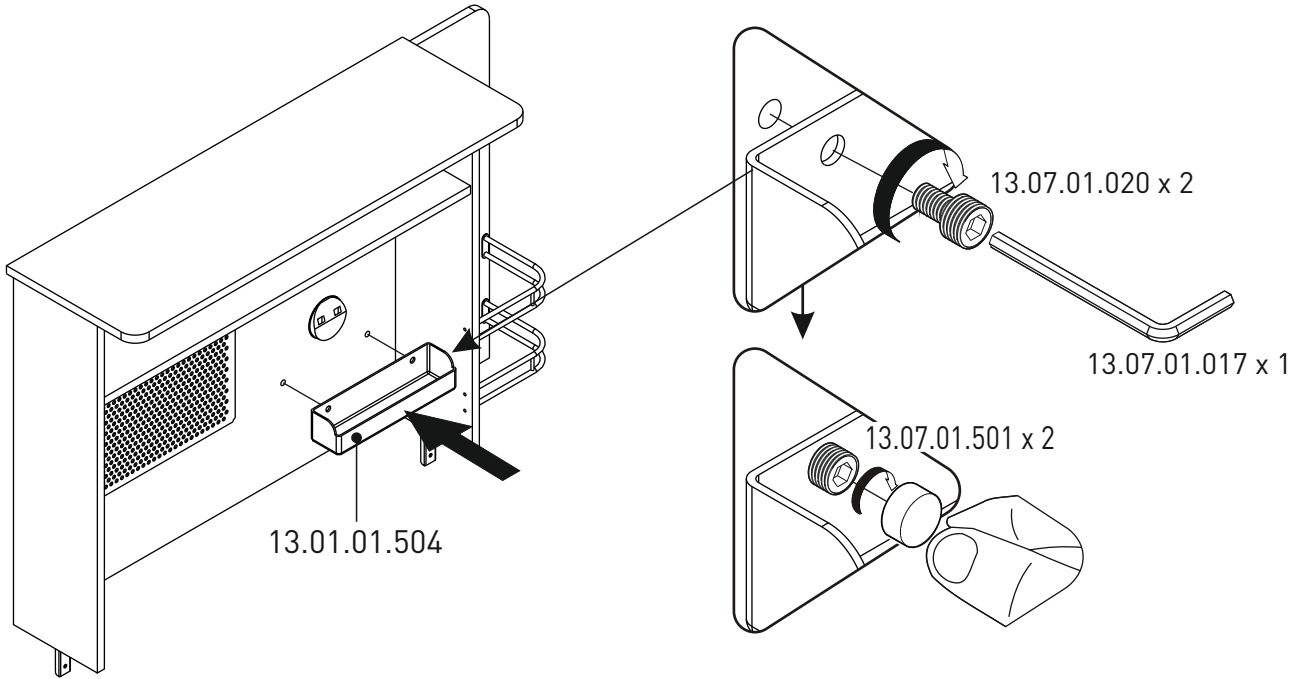
9



10



11



12

